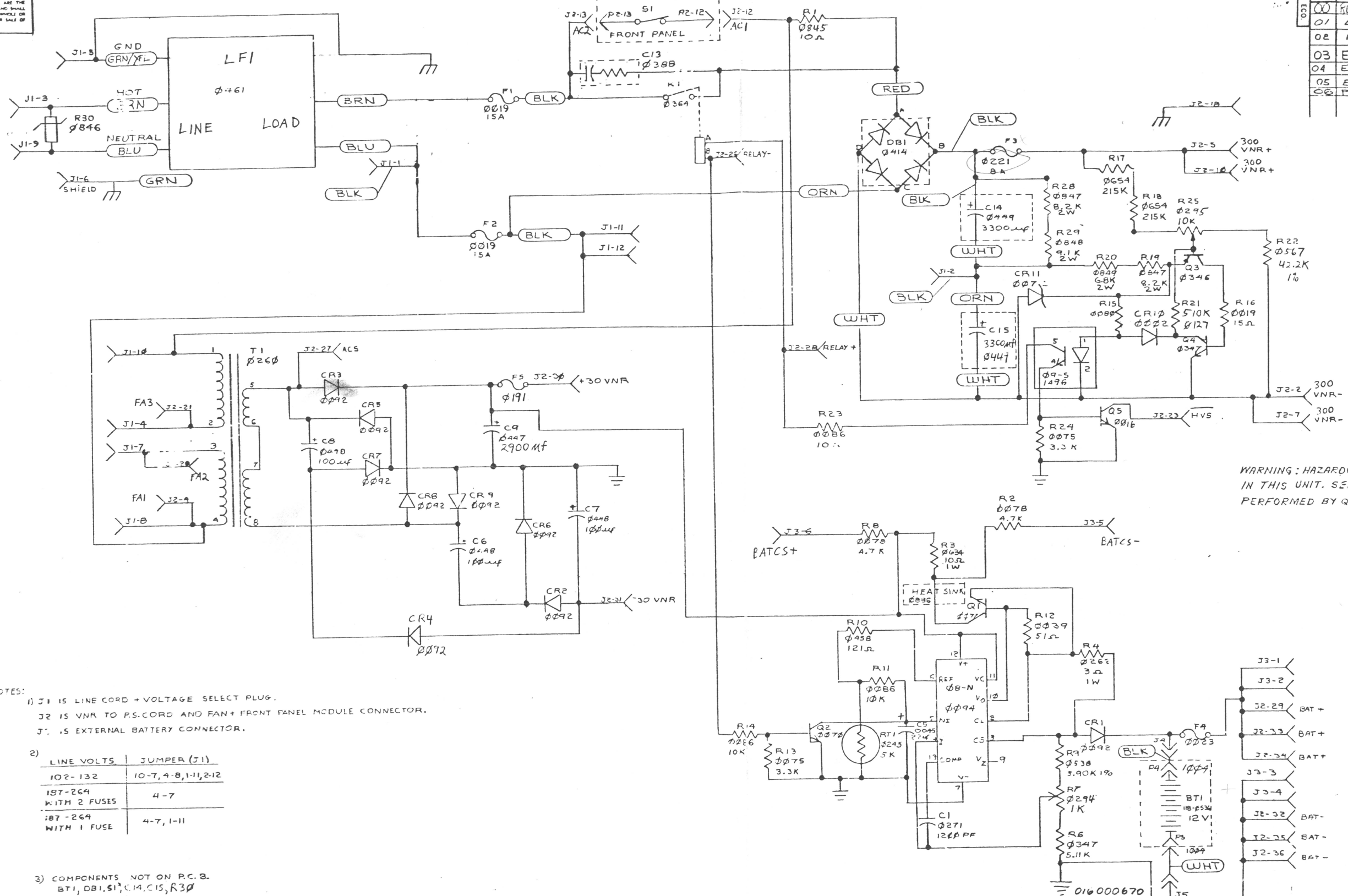


THIS DRAWING AND SPECIFICATIONS HEREIN ARE THE PROPERTY OF DATA GENERAL CORPORATION AND SHALL NOT BE REPRODUCED OR COPIED OR USED IN WHOLE OR IN PART AS THE BASIS FOR MANUFACTURE OR SALE OF ITEMS WITHOUT WRITTEN PERMISSION.

REVISIONS				
REV.	DESCRIPTION	DRFTG.	APP. BY	DATE
00	PLSD PER E555			4-23-78
01	ECO E556			12-21-78
02	ECO F846			8-3-79
03	ECO G732	JDS		7/17/79
04	ECO G684			10-24-79
05	ECO E573			12-21-79
06	PER ECO 111620			12-21-79



WARNING: HAZARDOUS VOLTAGES EXIST IN THIS UNIT. SERVICE MUST ONLY BE PERFORMED BY QUALIFIED PERSONNEL

- NOTES:
- J1 IS LINE CORD + VOLTAGE SELECT PLUG.  
J2 IS VNR TO P.S. CORD AND FAN + FRONT PANEL MODULE CONNECTOR.  
J3 IS EXTERNAL BATTERY CONNECTOR.

LINE VOLTS	JUMPER (J1)
102-132	10-7, 9-8, 1-11, 2-12
187-264 WITH 2 FUSES	4-7
187-264 WITH 1 FUSE	4-7, 1-11

- COMPONENTS NOT ON P.C.B.  
BT1, DB1, S1, C14, C15, R30  
\*NOT IN VNR BOX AT ALL
- R7 SETS BATTERY CHARGER OUTPUT VOLTAGE TO 14.1 VOLTS.  
R25 SETS LEVEL OF +300VNR THAT CAUSES HVS TO GO HIGH (WHEN +300VNR DROPS FROM 300 VOLTS TO 235 VOLTS).

ARTWORK: 107-985-		ARTWORK VS SCHEMATIC		ITEM	QTY.	DESCRIPTION	PART NO.
REV.	SCHEMATIC REV(S)	DO NOT SCALE DRAWING UNLESS OTHERWISE SPECIFIED	USE D.G.C. SPECIFICATION	DRAWN		DATA GENERAL CORPORATION WESTBORO, MASS. 01581 TITLE DGC MACHINE VNR SECTION	REF. 005012371
01	00, 01, 02, 03, 04	108 000028 FOR TOLERANCES AND WORKMANSHIP REQUIREMENTS		CHECKED			
02	05, 06			ENGINEER	3/13/78		
				APPROVED	7/1/78		
		MATERIAL		FIRST USEL ON			
		FINISH		SCALE	CGDE IDENT	SIZE	CODE
						D	001001523