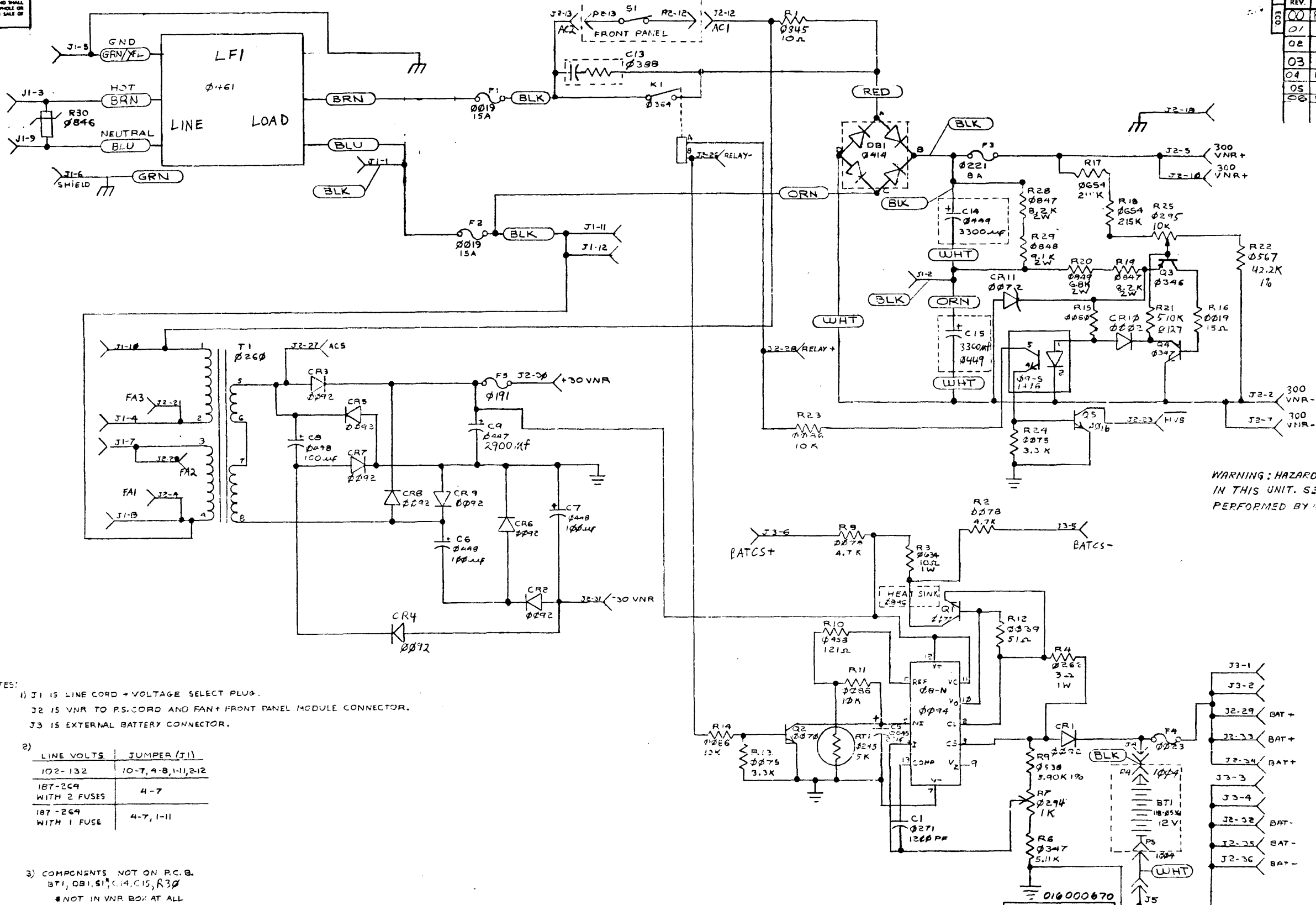


ALL SPECIFICATIONS HEREIN ARE THE PROPERTY OF DATA GENERAL CORPORATION AND SHALL NOT BE REPRODUCED OR COPIED IN WHOLE OR IN PART WITHOUT THE WRITTEN PERMISSION OF DATA GENERAL CORPORATION.

REVISIONS				
REV.	DESCRIPTION	DRFTG.	APP. BY	DATE
00	RLSD PER E555			10/3/78
01	ECO E556			1/27/79
02	ECO F846			2/3/79
03	ECO G732			7/17/79
04	ECO G684			10/2/79
05	ECO E573			11/2/79
06	PER ECO I1162C			1/27/80



- NOTES:
- J1 IS LINE CORD + VOLTAGE SELECT PLUG.  
J2 IS VNR TO P.S. CORD AND FAN + FRONT PANEL MODULE CONNECTOR.  
J3 IS EXTERNAL BATTERY CONNECTOR.
  - | LINE VOLTS           | JUMPER (J1)      |
|----------------------|------------------|
| 102-132              | 10-7, 9-8, 11-12 |
| 187-269 WITH 2 FUSES | 4-7              |
| 187-269 WITH 1 FUSE  | 4-7, 1-11        |
  - COMPONENTS NOT ON P.C.B.  
BT1, DB1, S1, C14, C15, R30  
\*NOT IN VNR BOX AT ALL
  - R7 SETS BATTERY CHARGER OUTPUT VOLTAGE TO 14.1 VOLTS.  
R25 SETS LEVEL OF +300VNR THAT CAUSES HVS TO GO HIGH (WHEN +300VNR DROPS FROM 300 VOLTS TO 235 VOLTS).

ARTWORK VS SCHEMATIC		ITEM	QTY	DESCRIPTION	PART NO.
REV	SCHEMATIC REV(S)	DO NOT SCALE DRAWING.	DRAWN	DATE	<b>DATA GENERAL CORPORATION</b> WESTBORO, MASS. 01581 TITLE <b>DGC MACHINE</b> <b>VNR SECTION</b>
02	01, 02, 03, 04	UNLESS OTHERWISE SPECIFIED USE D.C. SPECIFICATION	CHECKED		
03	05, 06	108-00028 FOR TOLERANCES AND WORKMANSHIP REQUIREMENTS	ENGINEER	7/13/78	
			APPROVED	1/11/80	
MATERIAL		FINISH		FIRST USED ON	
				005012371	
				SCALE	
				CODE	
				DRAWING NUMBER	001001523
				REV	06