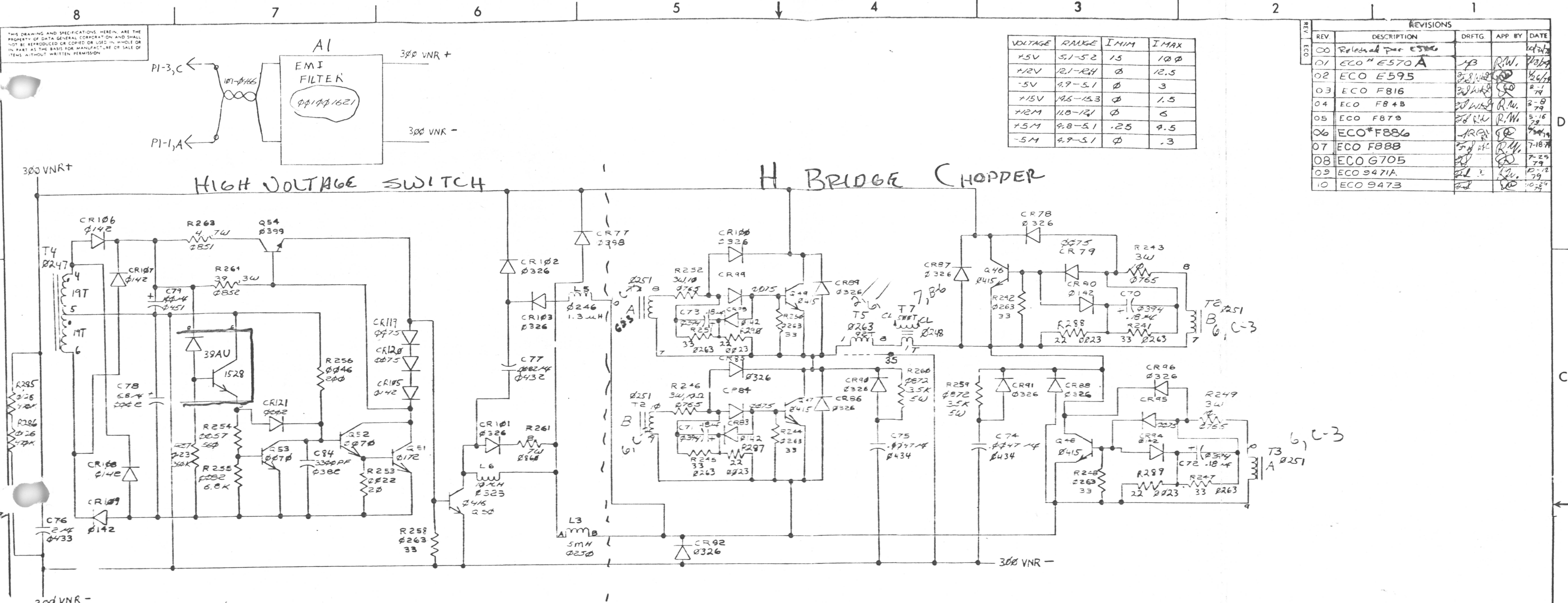


THIS DRAWING AND SPECIFICATIONS HEREIN ARE THE PROPERTY OF DATA GENERAL CORPORATION AND SHALL NOT BE REPRODUCED OR COPIED OR USED IN WHOLE OR IN PART AS THE BASIS FOR MANUFACTURE OR SALE OF ITEMS WITHOUT WRITTEN PERMISSION

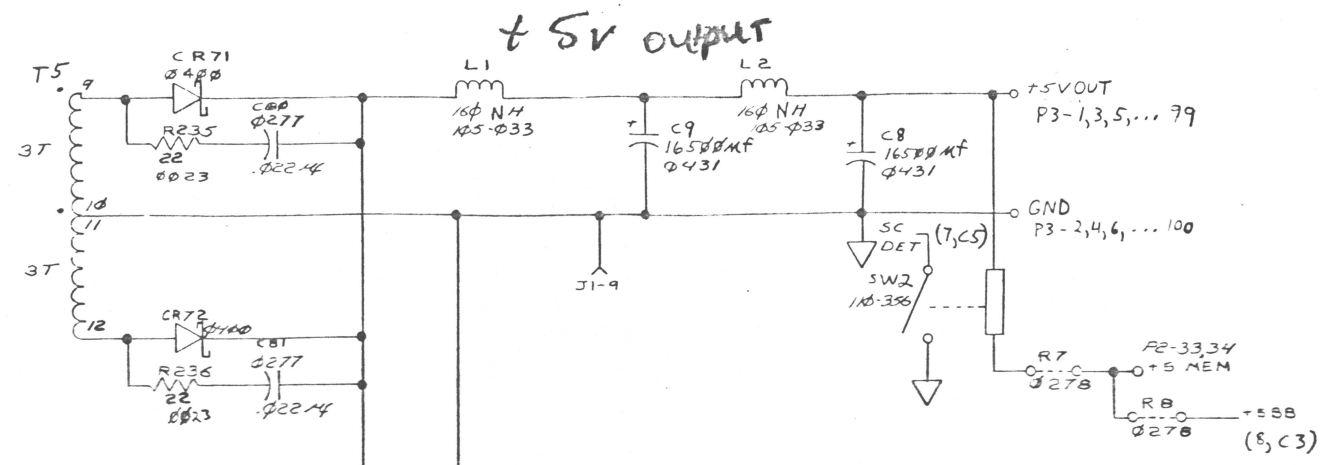
REVISIONS				
REV	DESCRIPTION	DRFTG	APP BY	DATE
00	Released per ESTG			11/27/78
01	ECO # E570 A		R.W.	12/1/78
02	ECO E595			12/6/78
03	ECO F816			2-1-79
04	ECO F84B			2-9-79
05	ECO F87B			5-16-79
06	ECO*F886			7-24-79
07	ECO F888			7-18-79
08	ECO G705			7-25-79
09	ECO 9471A			10-29-79
10	ECO 9473			10-29-79

VOLTAGE	RANGE	I MIN	I MAX
+5V	5.1-5.2	15	100
+12V	12.1-12.4	0	12.5
-5V	4.9-5.1	0	3
+15V	14.6-15.3	0	1.5
+12M	11.0-12.1	0	5
+5M	4.8-5.1	.25	4.5
-5M	4.9-5.1	0	.3

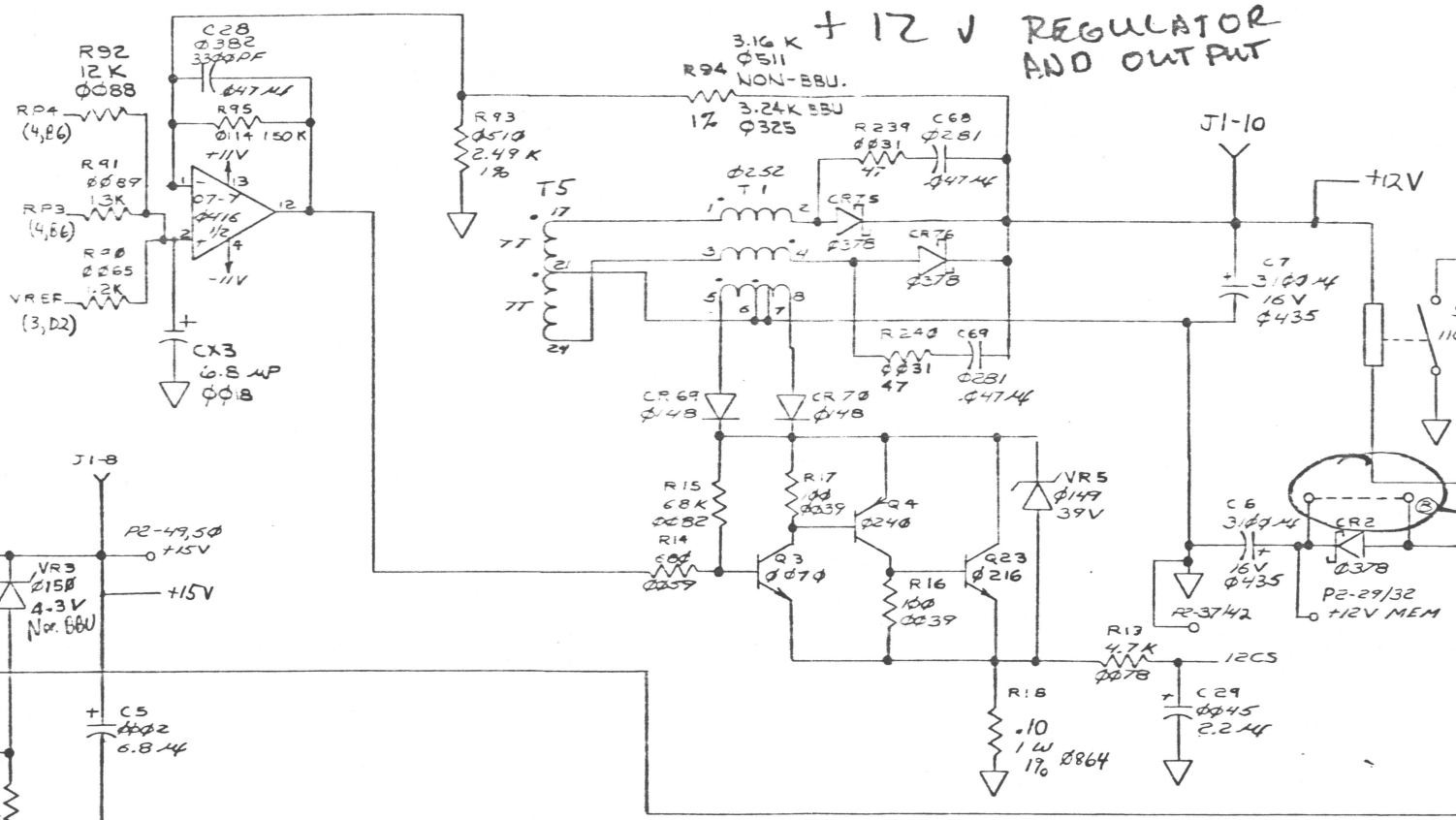


THIS DRAWING AND SPECIFICATIONS HEREIN ARE THE PROPERTY OF DATA GENERAL CORPORATION AND SHALL NOT BE REPRODUCED OR COPIED OR USED IN WHOLE OR IN PART AS THE BASIS FOR MANUFACTURE OR SALE OF ITEMS WITHOUT WRITTEN PERMISSION.

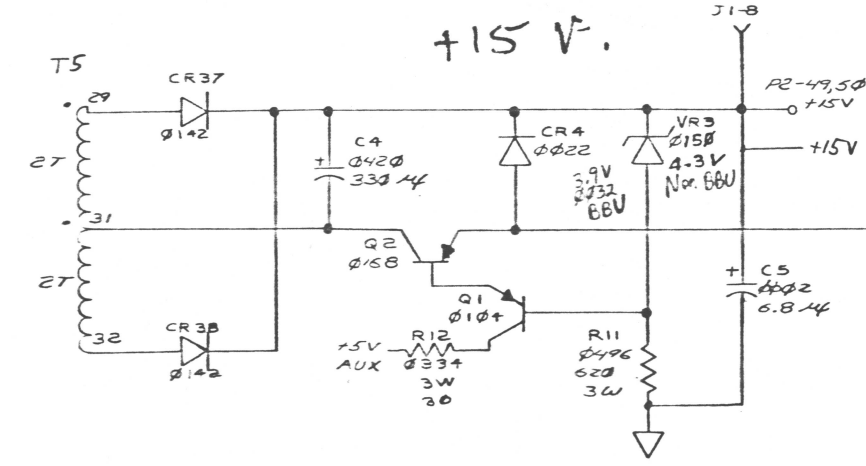
REVISIONS				
REV	DESCRIPTION	DRFTG	APP BY	DATE



+5V output



+12V REGULATOR AND OUTPUT



+15V

FOR BBU OPTION

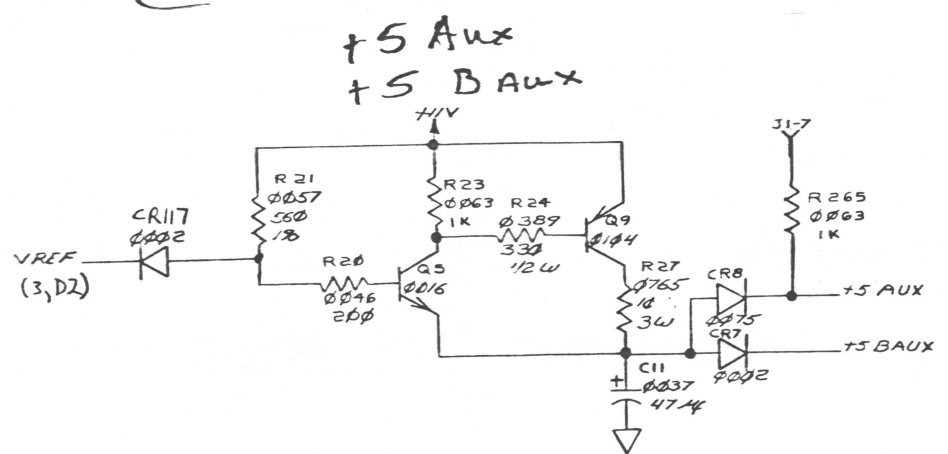
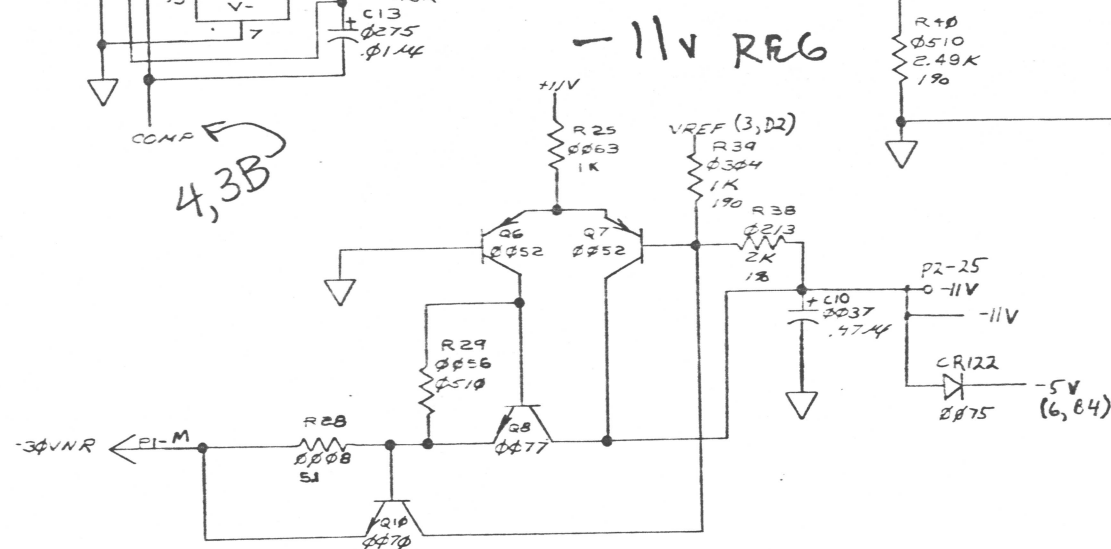
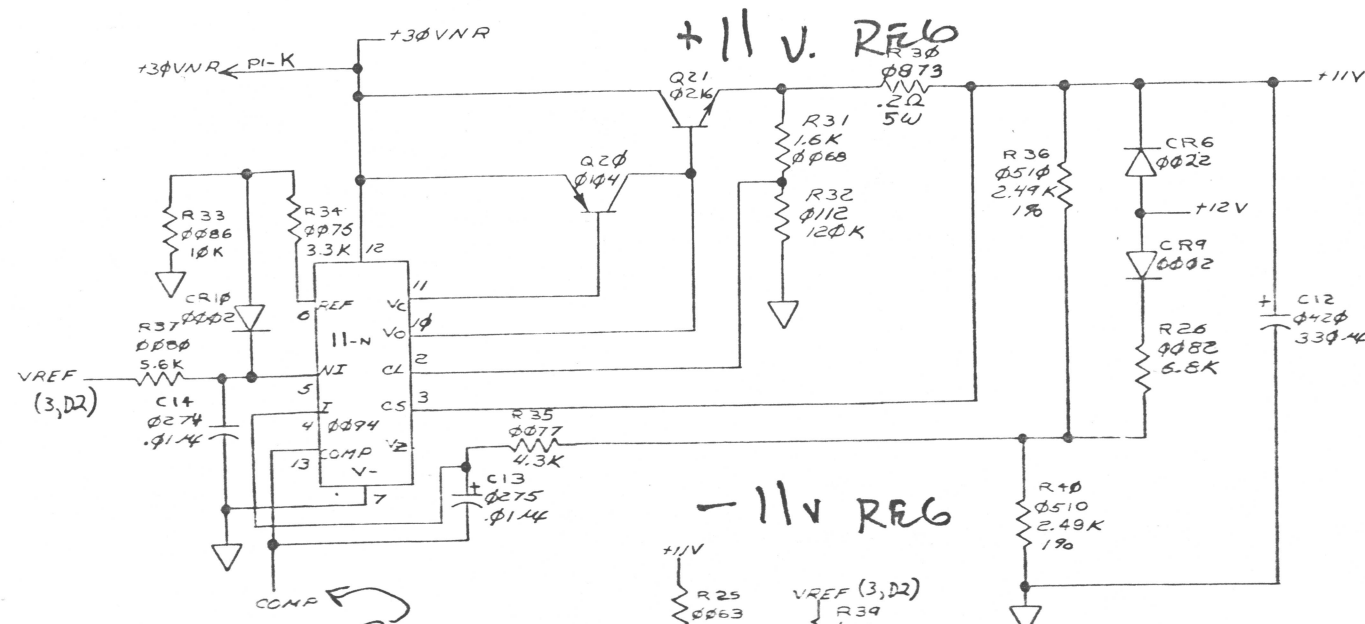
REED SW TRIP @ 22 AMPS

ITEM		QTY	DESCRIPTION	PART NO.
+5V Output, +12 Output + Regulator, +15 Regulator				
DO NOT SCALE DRAWING		DRAWN <i>Mark Bulak</i> 2-24-72		
UNLESS OTHERWISE SPECIFIED		CHECKED		
USE D.G.C. SPECIFICATION		ENGINEER		
108-000028 FOR TOLERANCES AND WORKMANSHIP REQUIREMENTS		APPROVED		
MATERIAL		FIRST USED ON		
FINISH		SCALE		
CODE IDENT.		SIZE	CODE	DRAWING NUMBER
34984		D		001001524 10

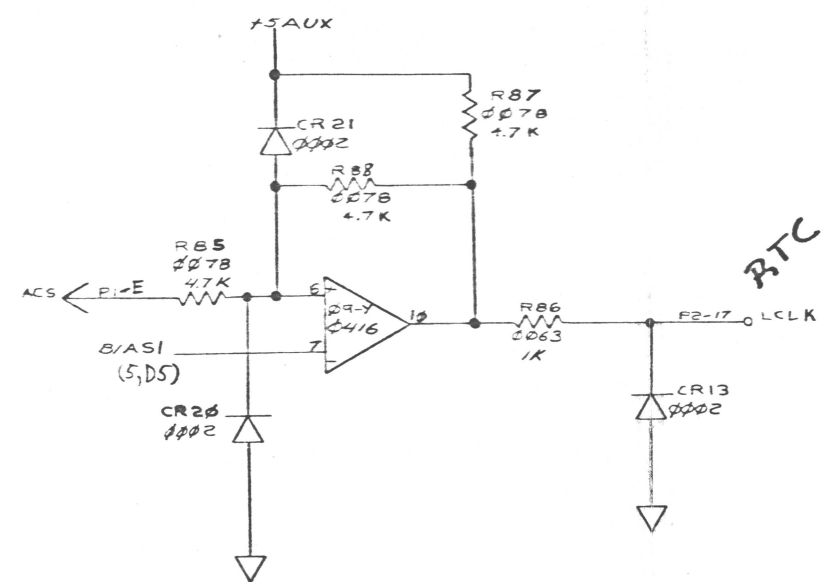
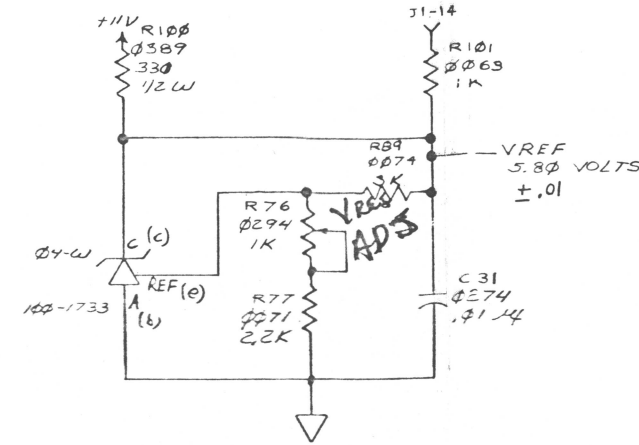
DATA GENERAL CORPORATION
SOUTHBORO, MASS. 01772
TITLE
NOVA 4
POWER SUPPLY
PCB

THIS DRAWING AND SPECIFICATIONS HEREIN ARE THE PROPERTY OF DATA GENERAL CORPORATION AND SHALL NOT BE REPRODUCED OR COPIED OR USED IN WHOLE OR IN PART AS THE BASIS FOR MANUFACTURE OR SALE OF ITEMS WITHOUT WRITTEN PERMISSION.

REVISIONS				
REV	DESCRIPTION	DRFTG	APP BY	DATE



V REF REG.



- NOTES:
1. $\text{---} \circ \text{---}$ = 50 EDGE PIN CONNECTORS
 2. HIGH = PULL UP RESISTOR TO +5 AUX USE AS NEEDED.
 3. TP = TO TEST POINT AT FRONT OF CARD
 4. $\text{---} \circ \text{---}$ TP X = TERMI-PIN TEST POINT
 5. W3 CONNECTS TO BATOJ FOR BBU VERSION, TO 07-D PIN 6 FOR NON-BBU VERSION.
 6. R5, R7 NOT INSTALLED ON BBU VERSION.
 7. R6 IS 102-0278 FOR BBU VERSION, 101-0075 FOR NON-BBU VERSION.
 8. CR2 INSTALLED ON BBU VERSION, REPLACED BY JUMPER WIRE ON NON-BBU VERSION.
 9. CR35-CR38, CR49, CR50 TO BE STOOD ON END ALLOWING NO LEAD LENGTH BETWEEN P.C.B. AND DIODE.
 10. ALL COMPONENTS ON PAGE B ARE FOR BATTERY BACKUP ONLY EXCEPT R07, R10B, C32, CR23 AND ASSOCIATED JUMPER.

+11, -11, and +5Aux Regulators, VRef, LClock

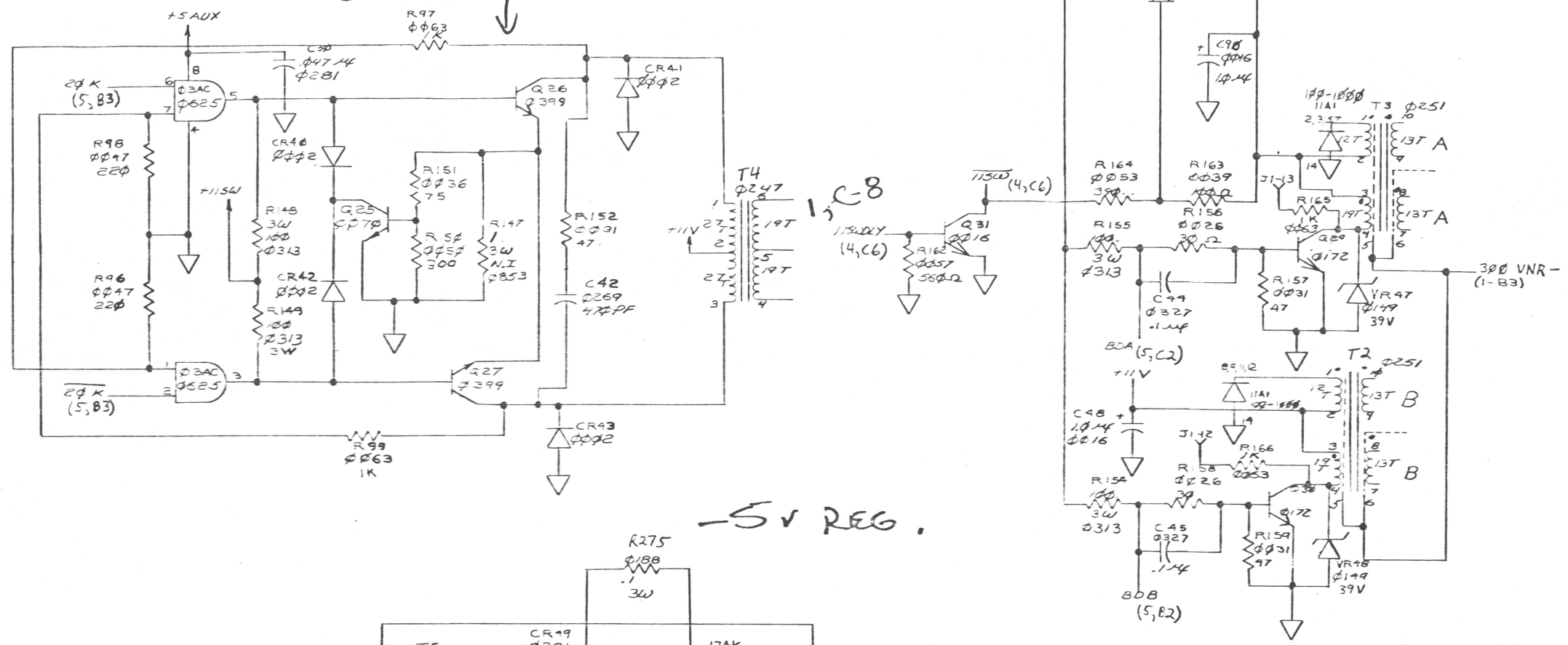
ITEM	QTY	DESCRIPTION	PART NO

DO NOT SCALE DRAWING. UNLESS OTHERWISE SPECIFIED USE D.G.C. SPECIFICATION 108-00028 FOR TOLERANCES AND WORKMANSHIP REQUIREMENTS.	DRAWN: <i>Robert Pulak</i> 2/28/78 CHECKED: ENGINEER: APPROVED: FIRST USED ON: SCALE: CODE IDENT: 34984 SIZE: D CODE: DRAWING NUMBER: 001001524	DATA GENERAL CORPORATION SOUTHBORO, MASS. 01772 TITLE NOVA 4 POWER SUPPLY PCB
--	--	--

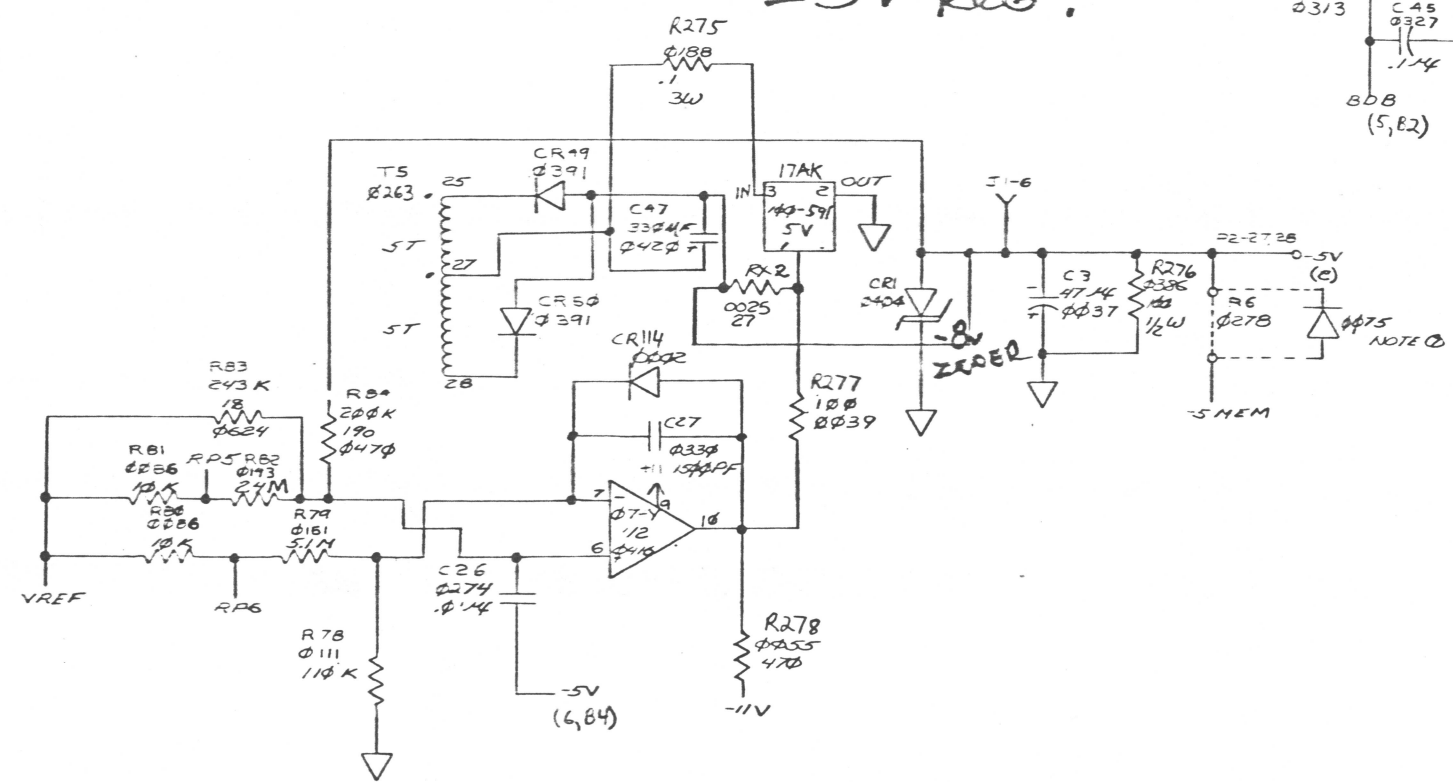
THIS DRAWING AND SPECIFICATIONS HEREIN ARE THE PROPERTY OF DATA GENERAL CORPORATION AND SHALL NOT BE REPRODUCED OR COPIED OR USED IN WHOLE OR IN PART AS THE BASIS FOR MANUFACTURE OR SALE OF ITEMS WITHOUT WRITTEN PERMISSION

REVISIONS				
REV	DESCRIPTION	DRFTG	APP BY	DATE

BASE DRIVES FOR H BRIDGE CLOPPER



-5V REG.



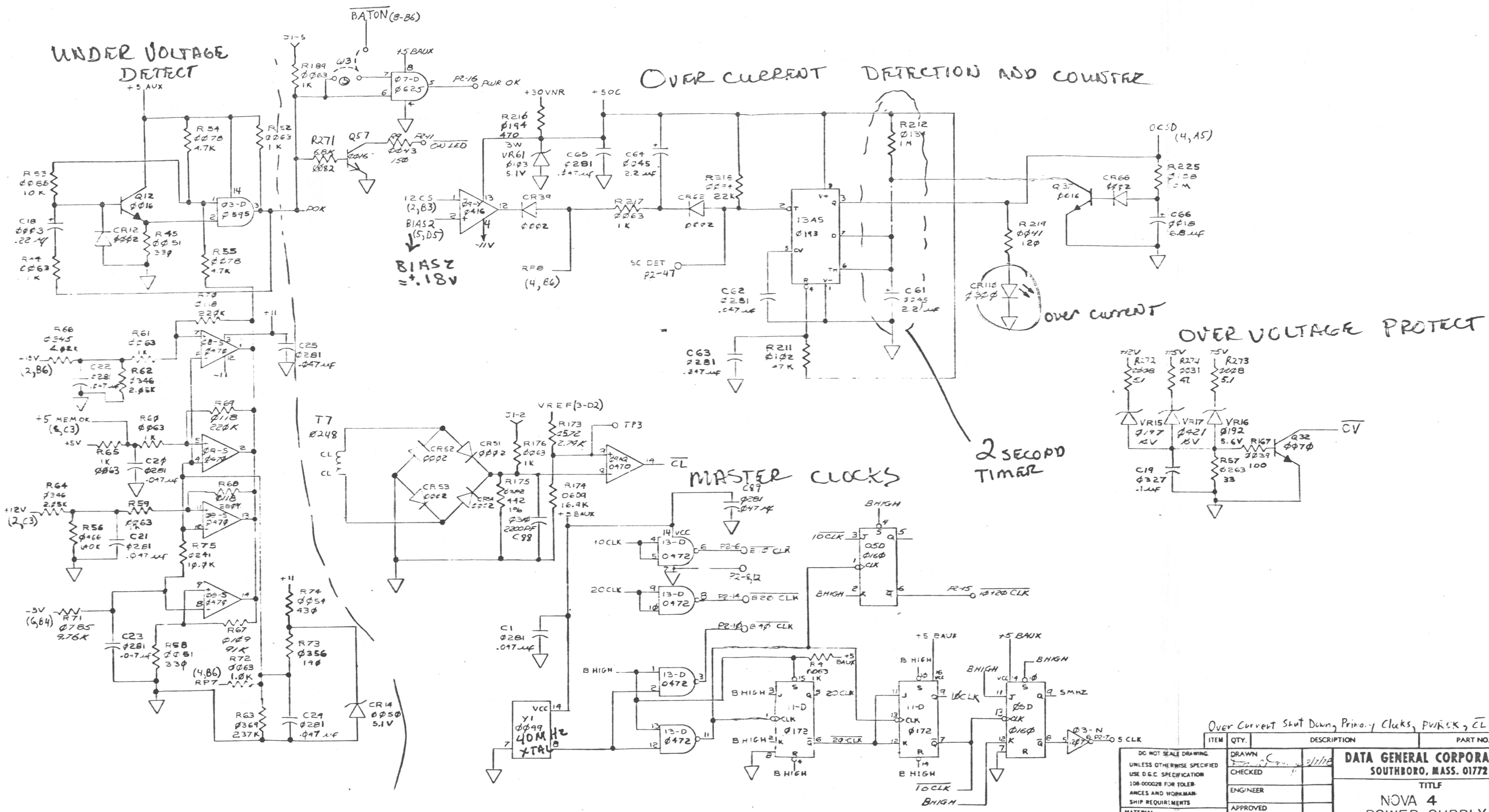
Base Drivers (Primary side), -5 Volt Output

ITEM	QTY	DESCRIPTION	PART NO

DO NOT SCALE DRAWING UNLESS OTHERWISE SPECIFIED USE D.G.C. SPECIFICATION 108-00028 FOR TOLERANCES AND WORKMANSHIP REQUIREMENTS		DRAWN <i>Mark Sulek</i> 2/11/78		DATA GENERAL CORPORATION SOUTHBORO, MASS. 01772	
MATERIAL		ENGINEER		TITLE	
FWRBH		APPROVED		NOVA 4 POWER SUPPLY PCB	
SCALE		CODE IDENT	SIZE	CODE	DRAWING NUMBER
		34984	D		001001524
					REV 10

THIS DRAWING AND SPECIFICATIONS HEREIN ARE THE PROPERTY OF DATA GENERAL CORPORATION AND SHALL NOT BE REPRODUCED OR COPIED OR USED IN WHOLE OR IN PART AS THE BASIS FOR MANUFACTURE OR SALE OF ITEMS WITHOUT WRITTEN PERMISSION

REVISIONS			
REV.	DESCRIPTION	DRFTG	APP BY D.



Over Current Shut Down, Primary Clks, PWRCK, CL, OV

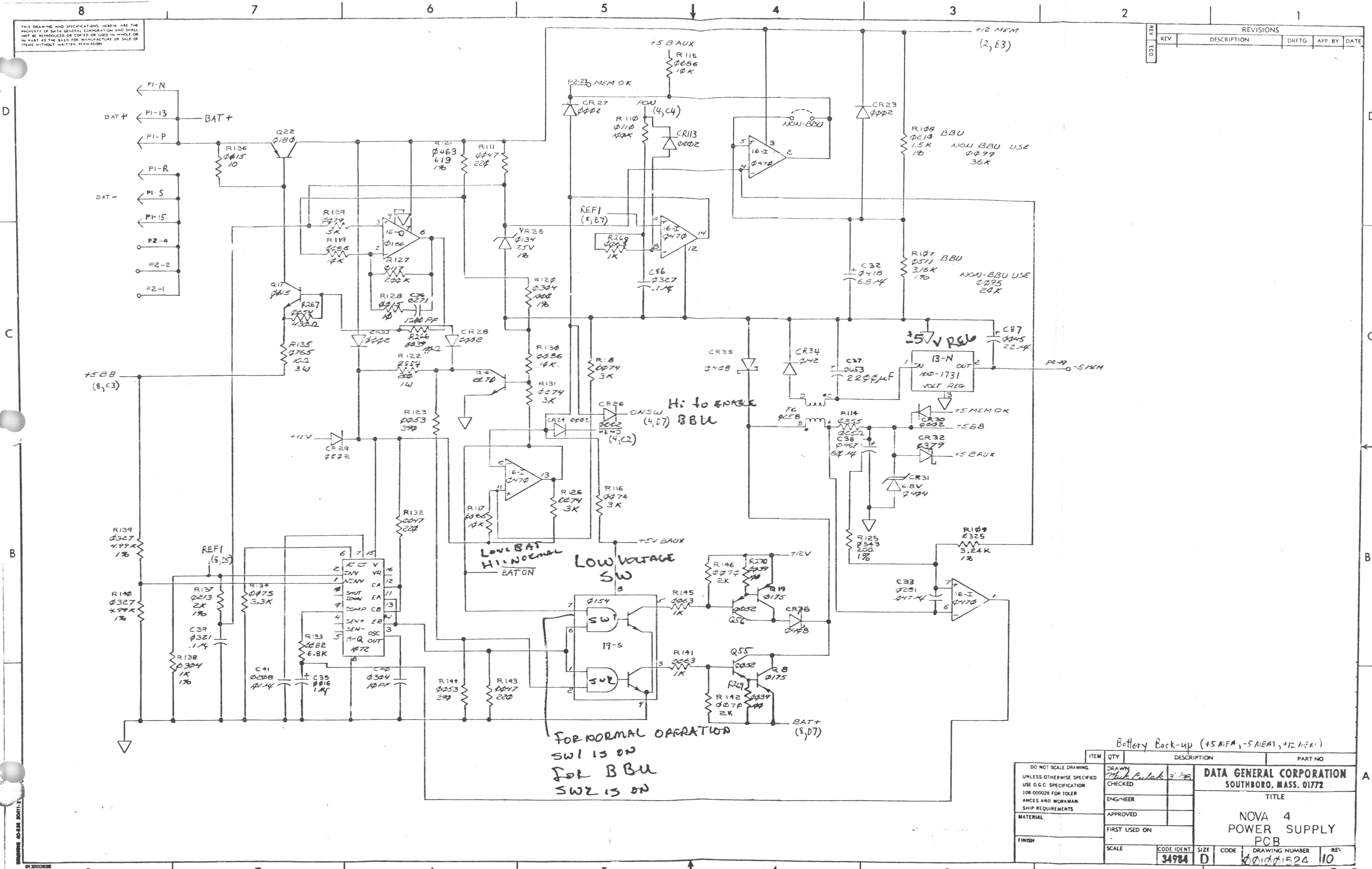
DO NOT SCALE DRAWING UNLESS OTHERWISE SPECIFIED USE D.G.C. SPECIFICATION 108-000028 FOR TOLER- ANCES AND WORKMAN- SHIP REQUIREMENTS	DRAWN CHECKED ENGINEER APPROVED FIRST USED ON	SCALE CODE IDENT. 34984	SIZE CODE D	DRAWING NUMBER 001001524	RF 10
--	---	-------------------------------	-------------------	-----------------------------	----------

DATA GENERAL CORPORATION
SOUTHBORO, MASS. 01772

TITLE
**NOVA 4
POWER SUPPLY
PCB**

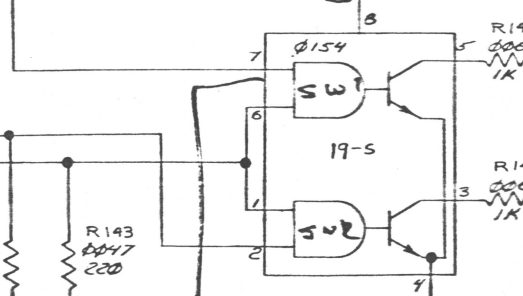
THIS DRAWING AND SPECIFICATIONS HEREIN ARE THE PROPERTY OF DATA GENERAL CORPORATION AND SHALL NOT BE REPRODUCED OR COPIED OR USED IN WHOLE OR IN PART AS THE BASIS FOR MANUFACTURE OR SALE OF ITEMS WITHOUT WRITTEN PERMISSION.

REVISIONS				
REV	DESCRIPTION	DRFTG	APP BY	DATE



Hi to enable BBU

Low Voltage SW



FOR NORMAL OPERATION SW1 IS ON
FOR BBU SW2 IS ON

Battery Back-up (+5 BBU, -5 MEM, +12 MEM)

ITEM	QTY	DESCRIPTION	PART NO

DO NOT SCALE DRAWING UNLESS OTHERWISE SPECIFIED USE D.G.C. SPECIFICATION 108-000028 FOR TOLERANCES AND WORKMANSHIP REQUIREMENTS	DRAWN Checked Pulaski 3/1/78 CHECKED ENGINEER APPROVED FIRST USED ON	DATA GENERAL CORPORATION SOUTHBORO, MASS. 01772 TITLE NOVA 4 POWER SUPPLY PCB	
MATERIAL	SCALE	CODE IDENT.	SIZE
FINISH			