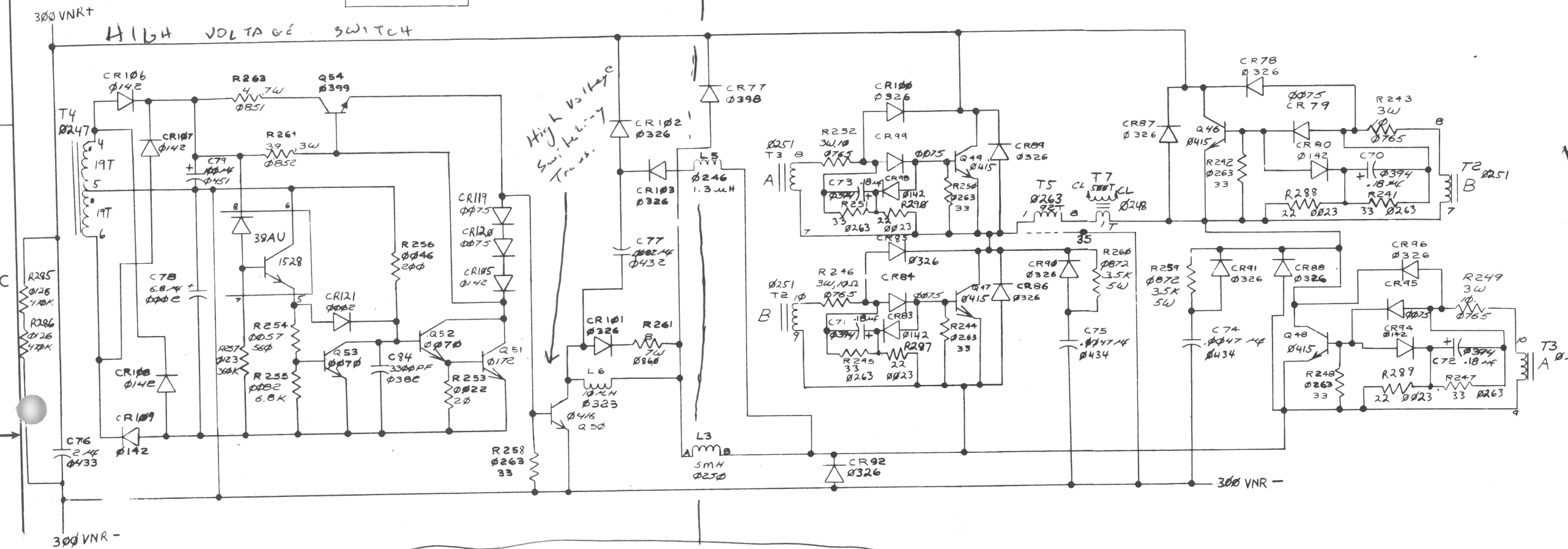


THIS DRAWING AND SPECIFICATIONS HEREIN ARE THE PROPERTY OF DATA GENERAL CORPORATION AND SHALL NOT BE REPRODUCED OR COPIED OR USED IN WHOLE OR IN PART AS THE BASIS FOR MANUFACTURE OR SALE OF ITEMS WITHOUT WRITTEN PERMISSION.

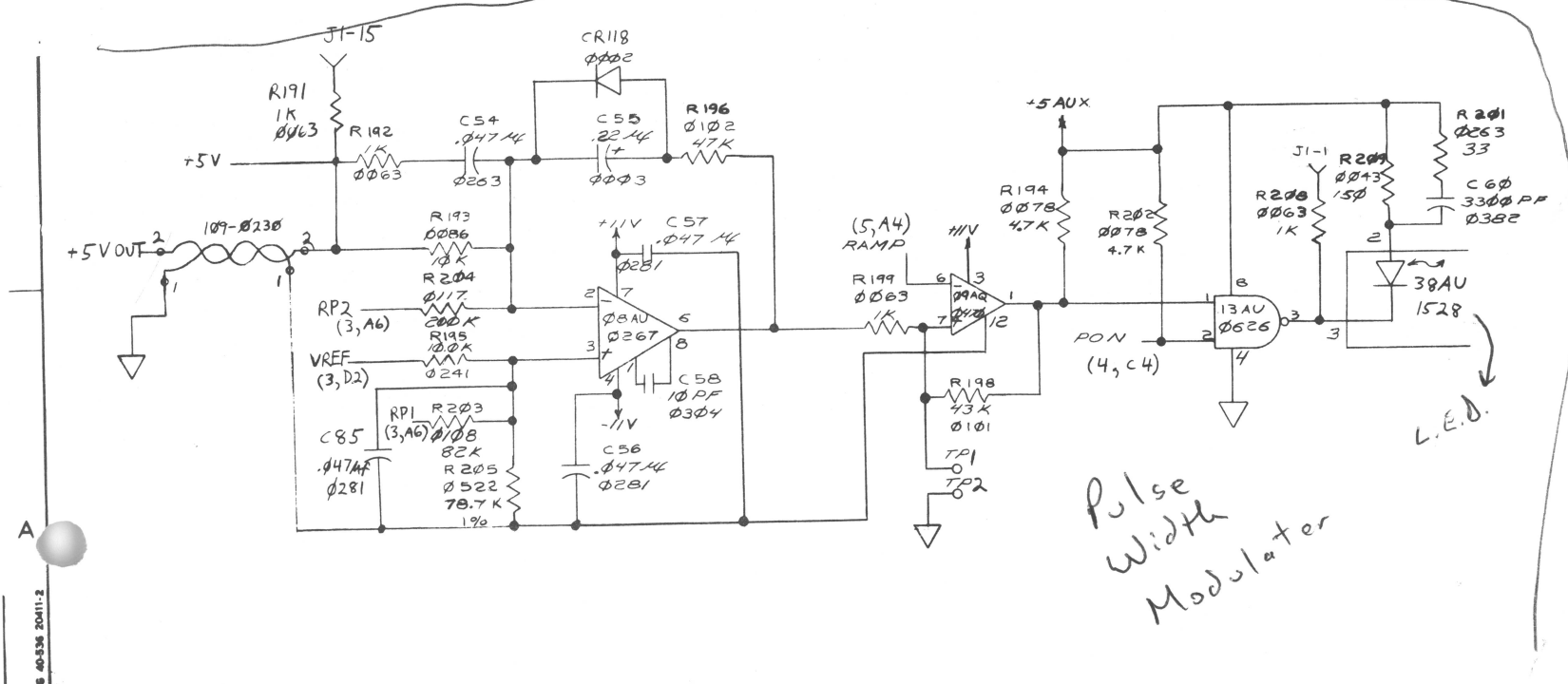
VOLTAGE	RANGE	I MIN	I MAX
+5V	5.1-5.2	15	100
+12V	12.1-12.4	0	12.5
-5V	4.9-5.1	0	3
+15V	14.6-15.3	0	1.5
+12M	11.0-12.1	0	6
+5M	4.8-5.1	.25	4.5
-5M	4.9-5.1	0	.3

REVISIONS				
REV.	DESCRIPTION	DRFTG.	APP. BY	DATE
00	Released per E596			10/27/79
01	ECO # E570 A	JAB	R.W.	10/27/79
02	ECO E595	JAB	R.W.	11/26/79
03	ECO F816	JAB	R.W.	12-1-79
04	ECO F84B	JAB	R.W.	2-9-79
05	ECO F87B	JAB	R.W.	5-16-79
06	ECO*F886	JAB	R.W.	7-24-79
07	ECO F888	JAB	R.W.	7-18-79
08	ECO G705	JAB	R.W.	7-25-79
09	ECO 9471A	JAB	R.W.	10-18-79
10	ECO 9473	JAB	R.W.	10-29-79



H-Bridge
Chopper

T2, T3 - Base drivers
T4, T5 - Power x FMRs
T7 - Primary Current sense



TEST POINTS

1	PWM
2	CURRENT
3	FEEDBACK
4	HVS
5	POK
6	-5V
7	+5AUX
8	HVS
9	GND
10	+12V
11	POW
12	Q30-C
13	Q29-C
14	VREF
15	+5V
16	POK

WARNING: HAZARDOUS VOLTAGES EXIST ON THIS UNIT. SERVICE MUST ONLY BE PERFORMED BY QUALIFIED PERSONNEL.

SEE PAGE 3 FOR ALL NOTES.

+5 Regulator, HV Switching Section

ITEM	QTY.	DESCRIPTION	PART NO.
1		DO NOT SCALE DRAWING.	
2		UNLESS OTHERWISE SPECIFIED USE D.G.C. SPECIFICATION 108-00028 FOR TOLERANCES AND WORKMANSHIP REQUIREMENTS	
3		MATERIAL	
4		FINISH	

DRAWN Mark Bulak 2-14-79	CHECKED 9	ENGINEER Rags W. Allen 1/23/79	APPROVED J. J. [Signature] 10/17/79	FIRST USED ON 005-12002	SCALE 34984	CODE IDENT. D	SIZE D	CODE 10	DRAWING NUMBER 00101524	RP. 10
-----------------------------	--------------	-----------------------------------	--	----------------------------	----------------	------------------	-----------	------------	----------------------------	-----------

DATA GENERAL CORPORATION
SOUTHBORO, MASS. 01772

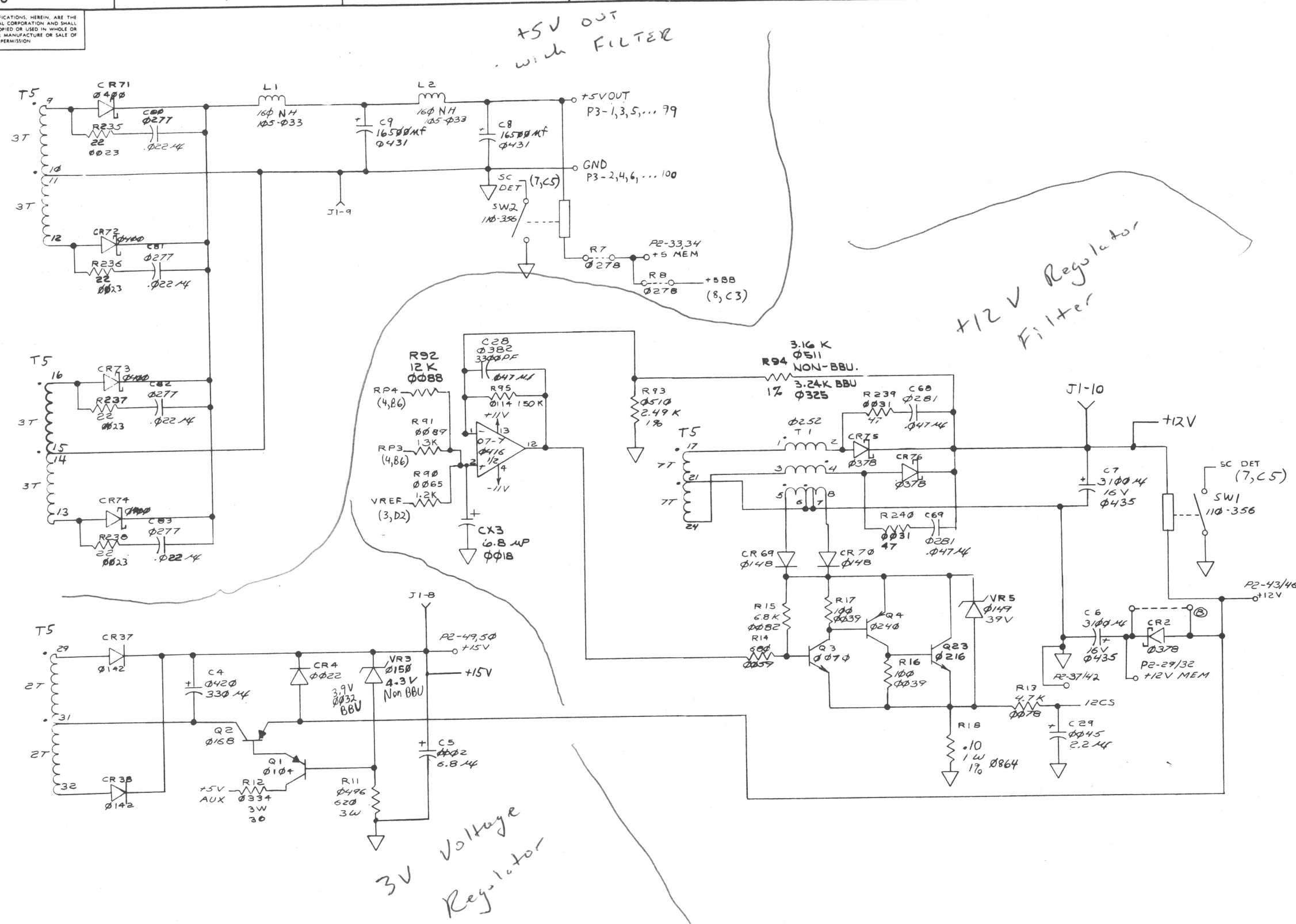
TITLE
NOVA 4 POWER SUPPLY PCB

DRAWING NUMBER
00101524

RP.
10

THIS DRAWING AND SPECIFICATIONS HEREIN ARE THE PROPERTY OF DATA GENERAL CORPORATION AND SHALL NOT BE REPRODUCED OR COPIED OR USED IN WHOLE OR IN PART AS THE BASIS FOR MANUFACTURE OR SALE OF ITEMS WITHOUT WRITTEN PERMISSION

REVISIONS				
REV.	DESCRIPTION	DRFTG	APP BY	DATE



+5V Output, +12 Output + Regulator, +15 Regulator

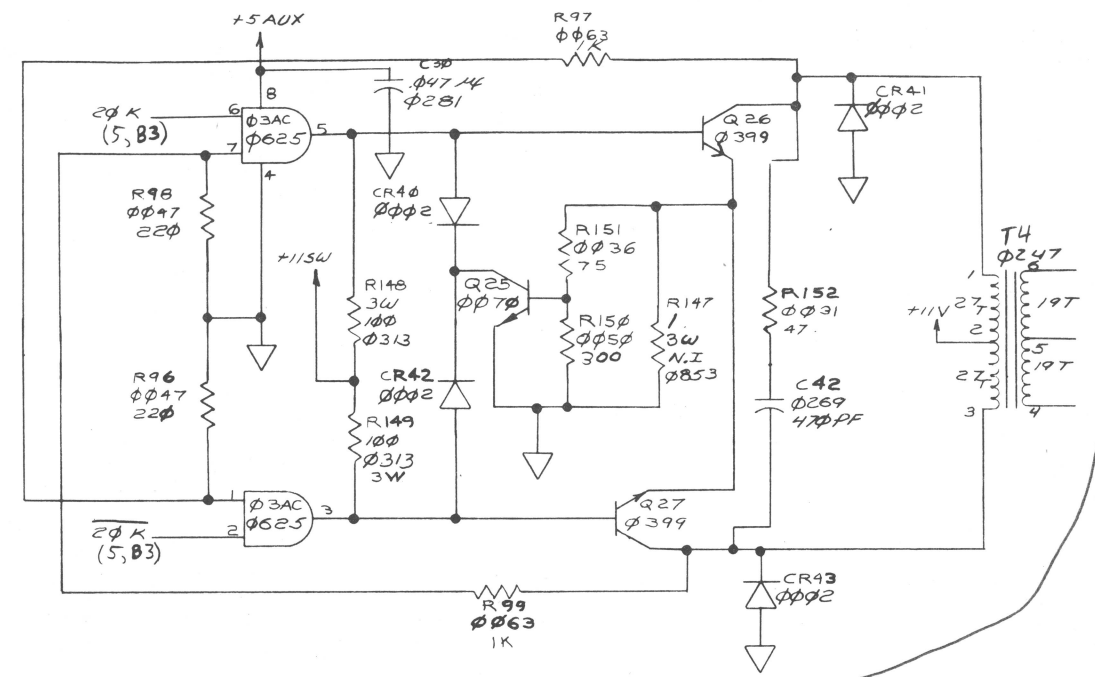
ITEM	QTY.	DESCRIPTION	PART NO.

DO NOT SCALE DRAWING. UNLESS OTHERWISE SPECIFIED USE D.G.C. SPECIFICATION 108-00028 FOR TOLER- ANCES AND WORKMAN- SHIP REQUIREMENTS	DRAWN <i>27246 Bullock 22478</i> CHECKED ENGINEER APPROVED FIRST USED ON	DATA GENERAL CORPORATION SOUTHBORO, MASS. 01772 TITLE NOVA 4 POWER SUPPLY PCB
FINISH	SCALE	CODE IDENT. SIZE CODE DRAWING NUMBER
		34984 D 001001524 10

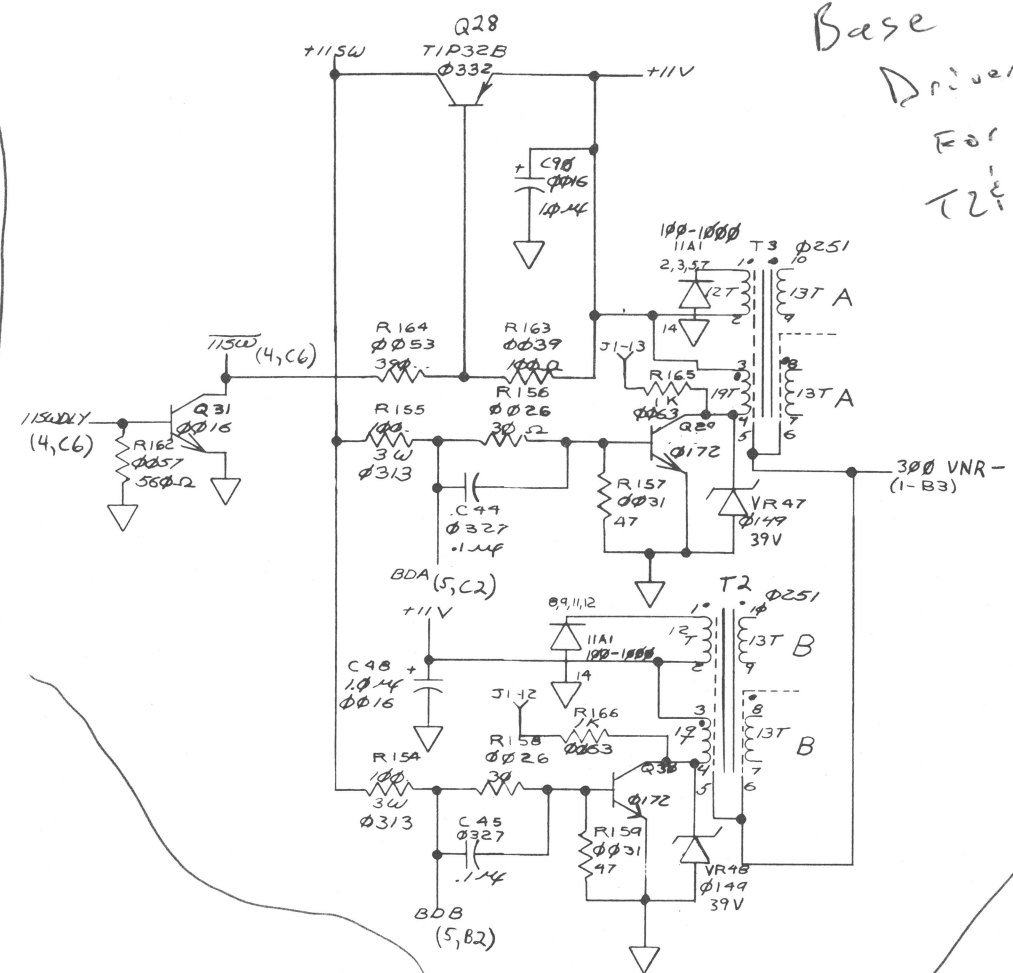
THIS DRAWING AND SPECIFICATIONS HEREIN ARE THE PROPERTY OF DATA GENERAL CORPORATION AND SHALL NOT BE REPRODUCED OR COPIED OR USED IN WHOLE OR IN PART AS THE BASIS FOR MANUFACTURE OR SALE OF ITEMS WITHOUT WRITTEN PERMISSION.

REVISIONS				
REV.	DESCRIPTION	DRFTG.	APP. BY	DATE
REV. ECO				

Base Driver for T4

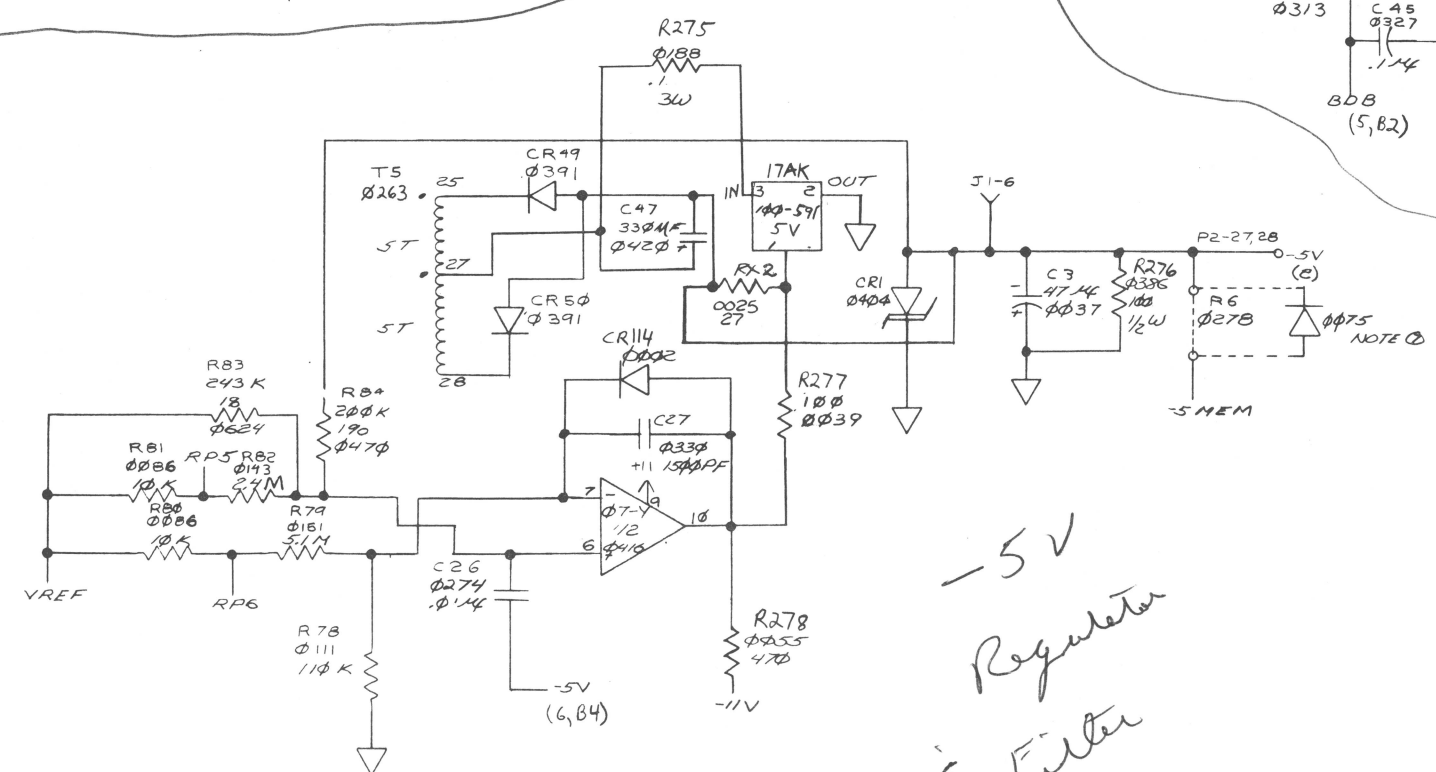


Base Driver For T2 & T3



Secondaries all on sheet 1

-5V Regulator & Filter



Base Drivers (Primary side), -5 Volt Output

ITEM	QTY.	DESCRIPTION	PART NO.
DO NOT SCALE DRAWING. UNLESS OTHERWISE SPECIFIED USE D.G.C. SPECIFICATION 108-000028 FOR TOLERANCES AND WORKMANSHIP REQUIREMENTS.			
DRAWN Mark Bulak 2/21/78		DATA GENERAL CORPORATION SOUTHBORO, MASS. 01772	
CHECKED		TITLE NOVA 4 POWER SUPPLY PCB	
ENGINEER		SCALE	
APPROVED		CODE IDENT. 34984	
FIRST USED ON		SIZE D	
MATERIAL		CODE	
FINISH		DRAWING NUMBER 001001524	
		REV. 10	

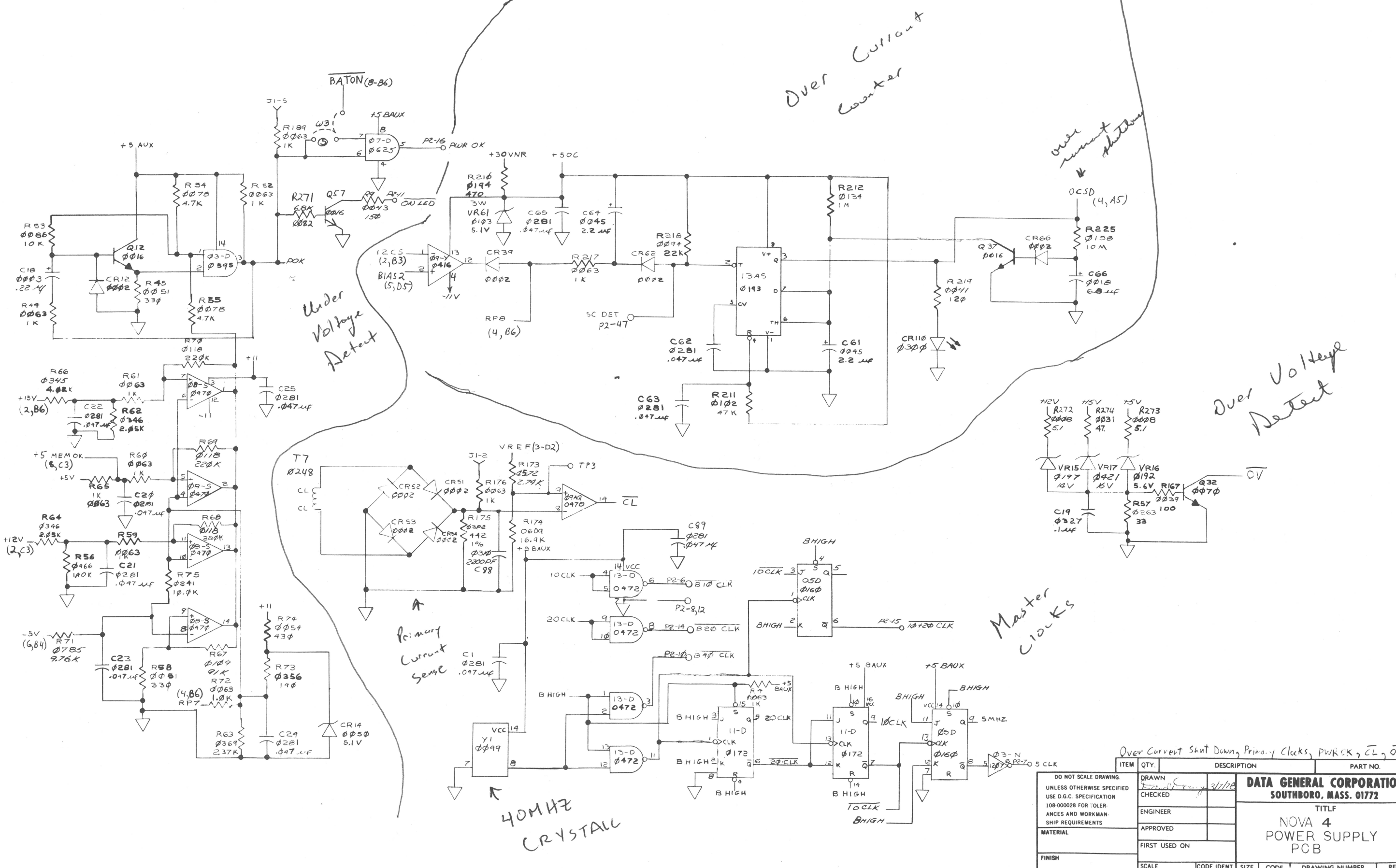
DRAWING 40-538 20411-2

THIS DRAWING AND SPECIFICATIONS, HEREIN, ARE THE PROPERTY OF DATA GENERAL CORPORATION AND SHALL NOT BE REPRODUCED OR COPIED OR USED IN WHOLE OR IN PART AS THE BASIS FOR MANUFACTURE OR SALE OF ITEMS WITHOUT WRITTEN PERMISSION.

REVISIONS				
REV.	DESCRIPTION	DRFTG.	APP. BY	D.

D
C
B
A

D
C
B
A



Over Current Shut Down, Primary Clocks, PWR OK, CL, OV

ITEM	QTY.	DESCRIPTION	PART NO.
DO NOT SCALE DRAWING. UNLESS OTHERWISE SPECIFIED USE D.G.C. SPECIFICATION 108-000028 FOR TOLERANCES AND WORKMANSHIP REQUIREMENTS.			
DRAWN		DATE: 3/11/78	
CHECKED			
ENGINEER			
APPROVED			
FIRST USED ON			
SCALE		CODE IDENT.	SIZE
		34984	D
DRAWING NUMBER		RF	
001001524		10	

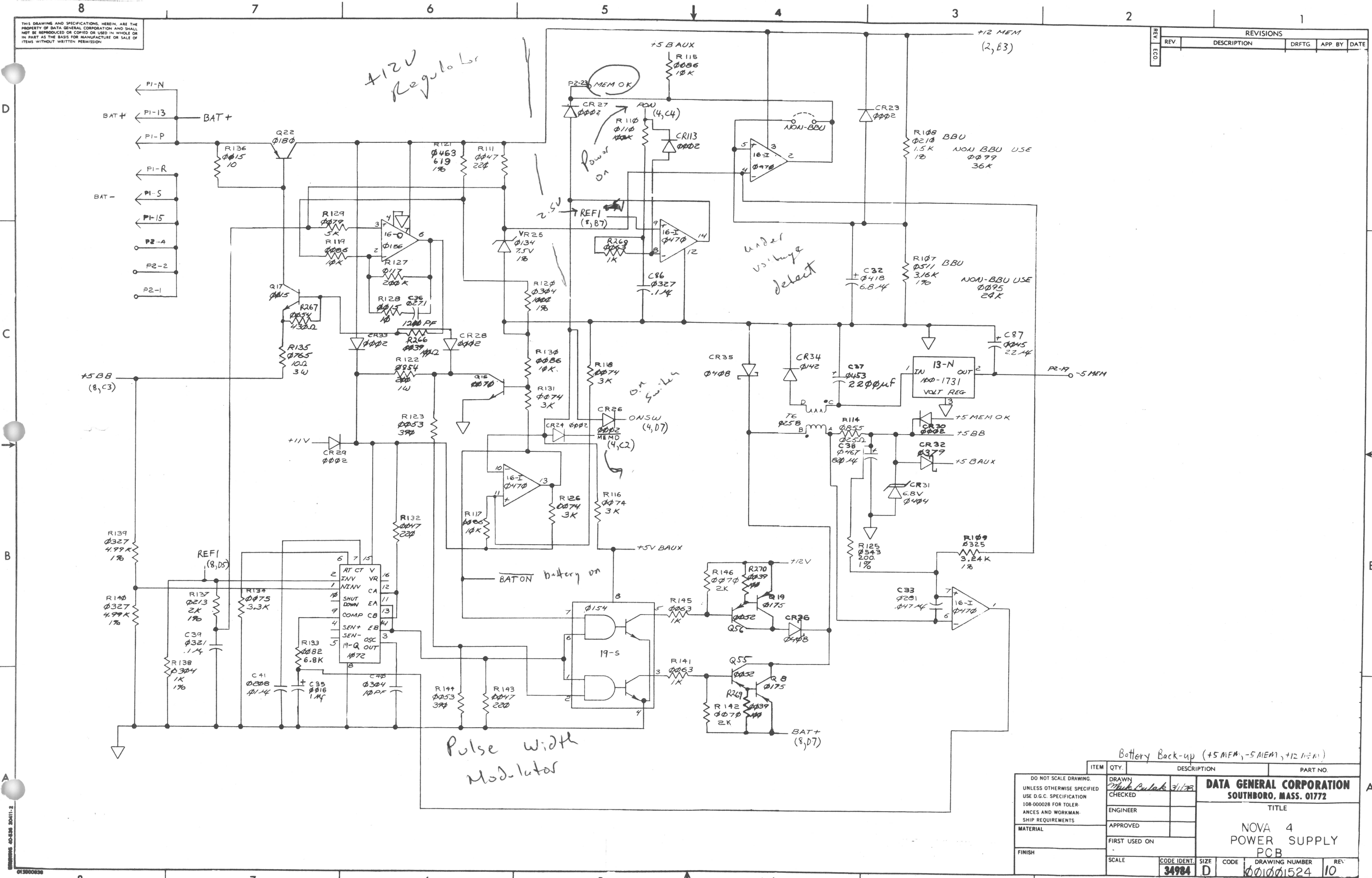
DATA GENERAL CORPORATION
SOUTHBORO, MASS. 01772

TITLE
NOVA 4
POWER SUPPLY
PCB

0130008

THIS DRAWING AND SPECIFICATIONS, HEREIN, ARE THE PROPERTY OF DATA GENERAL CORPORATION AND SHALL NOT BE REPRODUCED OR COPIED OR USED IN WHOLE OR IN PART AS THE BASIS FOR MANUFACTURE OR SALE OF ITEMS WITHOUT WRITTEN PERMISSION.

REVISIONS			
REV	DESCRIPTION	DRFTG	APP BY DATE



DO NOT SCALE DRAWING. UNLESS OTHERWISE SPECIFIED USE D.G.C. SPECIFICATION 108-000028 FOR TOLERANCES AND WORKMANSHIP REQUIREMENTS.		DRAWN: Mike Bullock 3/1/78 CHECKED: [] ENGINEER: [] APPROVED: [] FIRST USED ON: []	DATA GENERAL CORPORATION SOUTHBORO, MASS. 01772 TITLE: NOVA 4 POWER SUPPLY PCB
MATERIAL:	SCALE:	CODE IDENT.:	SIZE: D
FINISH:		DRAWING NUMBER:	REV: 10
		001001524	10

01500000