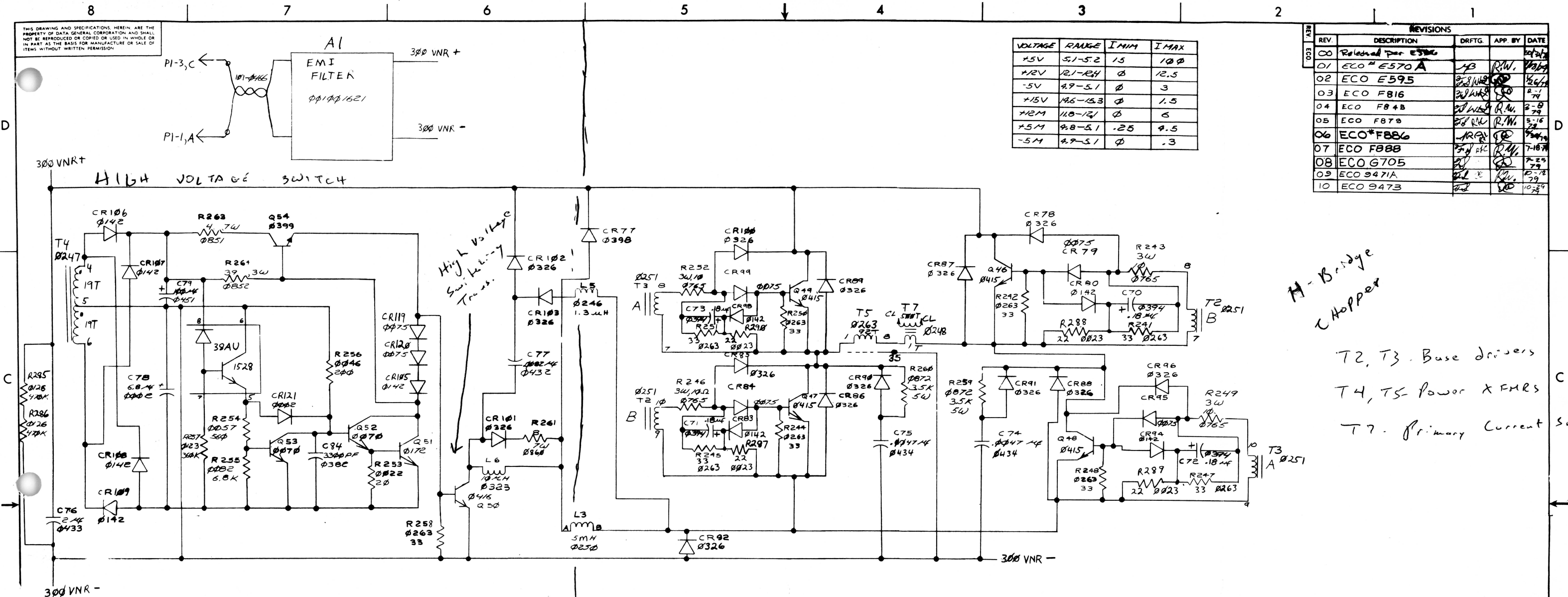


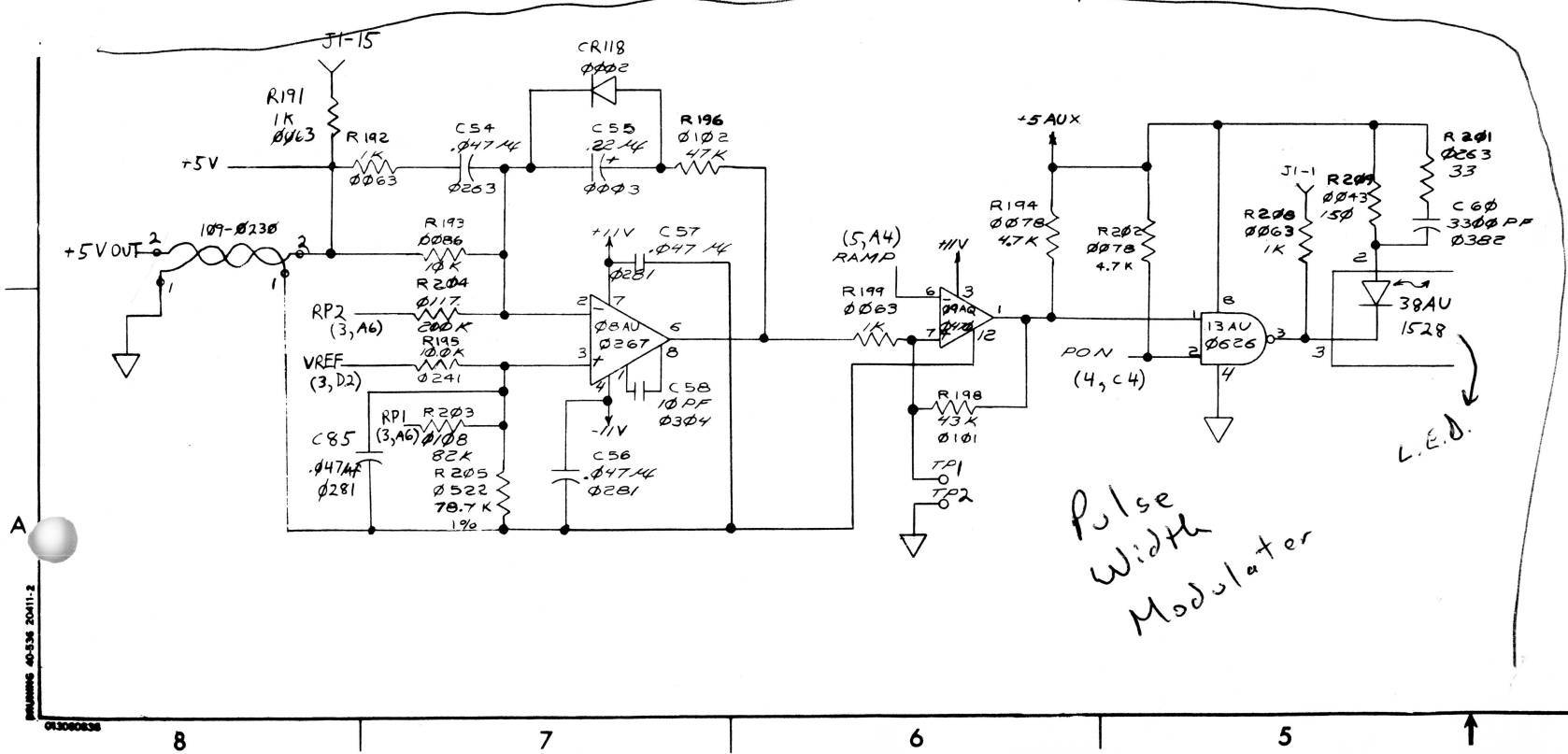
THIS DRAWING AND SPECIFICATIONS HEREIN ARE THE PROPERTY OF DATA GENERAL CORPORATION AND SHALL NOT BE REPRODUCED OR COPIED OR USED IN WHOLE OR IN PART AS THE BASIS FOR MANUFACTURE OR SALE OF ITEMS WITHOUT WRITTEN PERMISSION.

VOLTAGE	RANGE	I _{MIN}	I _{MAX}
+5V	5.1-5.2	1.5	10.0
+12V	12.1-12.4	0	12.5
-5V	4.9-5.1	0	3
+15V	14.6-15.3	0	1.5
+12M	11.0-12.1	0	5
+5M	4.8-5.1	.25	4.5
-5M	4.7-5.1	0	.3

REV	DESCRIPTION	DRFTG	APP BY	DATE
00	Released per E586			10/2/78
01	ECO # E570 A	J.B.	R.W.	10/2/78
02	ECO E595	J.W.	R.W.	12/6/78
03	ECO F816	J.W.	R.W.	2-79
04	ECO F84B	J.W.	R.W.	2-79
05	ECO F87B	J.W.	R.W.	5-79
06	ECO*F886	J.W.	R.W.	7-79
07	ECO F888	J.W.	R.W.	7-79
08	ECO G705	J.W.	R.W.	7-79
09	ECO 9471A	J.W.	R.W.	10-79
10	ECO 9473	J.W.	R.W.	10-79



H-Bridge Chopper
 T2, T3 - Base drivers
 T4, T5 - Power X FMRs
 T7 - Primary Current sense



TEST POINTS

1	RPIA
2	CURRENT
3	FWR FWR
4	HVS
5	POK
6	-5V
7	+5AUX
8	H5V
9	GN0
10	H2V
11	POW
12	Q30-C
13	Q29-C
14	VREF
15	+5V
16	20K

WARNING: HAZARDOUS VOLTAGES EXIST ON THIS UNIT. SERVICE MUST ONLY BE PERFORMED BY QUALIFIED PERSONNEL.

SEE PAGE 3 FOR ALL NOTES.

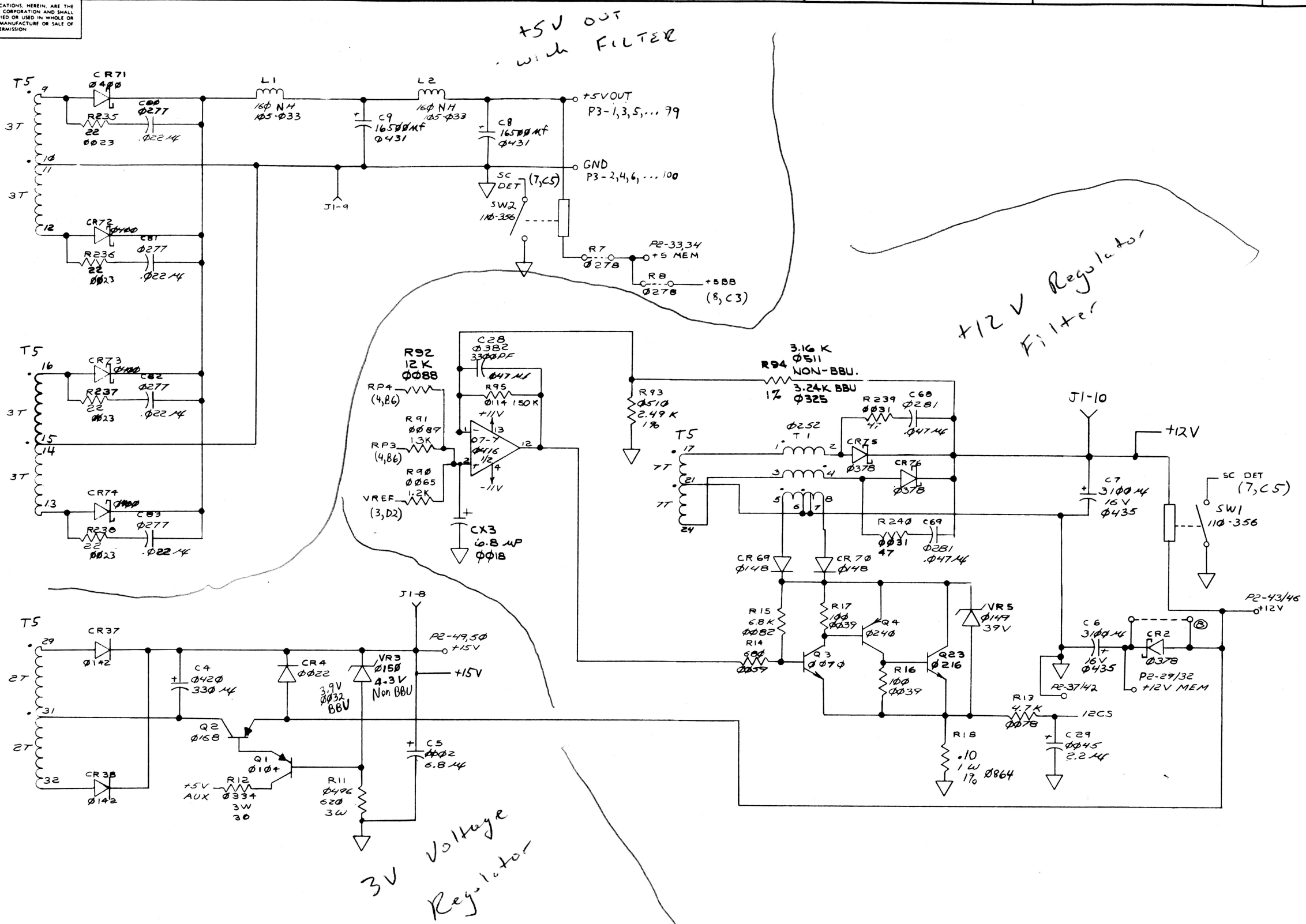
+5 regulator, HV Switching Section

ITEM	QTY.	DESCRIPTION	PART NO.
1		DO NOT SCALE DRAWING. UNLESS OTHERWISE SPECIFIED USE D.G.C. SPECIFICATION 108-000028 FOR TOLERANCES AND WORKMANSHIP REQUIREMENTS	
2		DRAWN: Mark Bulak E-1478	
3		CHECKED: [Signature]	
4		ENGINEER: [Signature] 1/23/79	
5		APPROVED: [Signature] 10/17/78	
6		FIRST USED ON: 005-12002	
7		SCALE: 34904 D	
8		CODE IDENT: 100101524	
9		SIZE: 10	
10		DRAWING NUMBER: 10	
11		REV: 10	

DATA GENERAL CORPORATION
 SOUTHBORO, MASS. 01772
 TITLE: NOVA 4 POWER SUPPLY PCB

THIS DRAWING AND SPECIFICATIONS, HEREIN, ARE THE PROPERTY OF DATA GENERAL CORPORATION AND SHALL NOT BE REPRODUCED OR COPIED OR USED IN WHOLE OR IN PART AS THE BASIS FOR MANUFACTURE OR SALE OF ITEMS WITHOUT WRITTEN PERMISSION.

REVISIONS				
REV	DESCRIPTION	DRFTG	APP BY	DATE



ITEM	QTY.	DESCRIPTION	PART NO.

+5V Output, +12 Output + Regulator, +15 Regulator

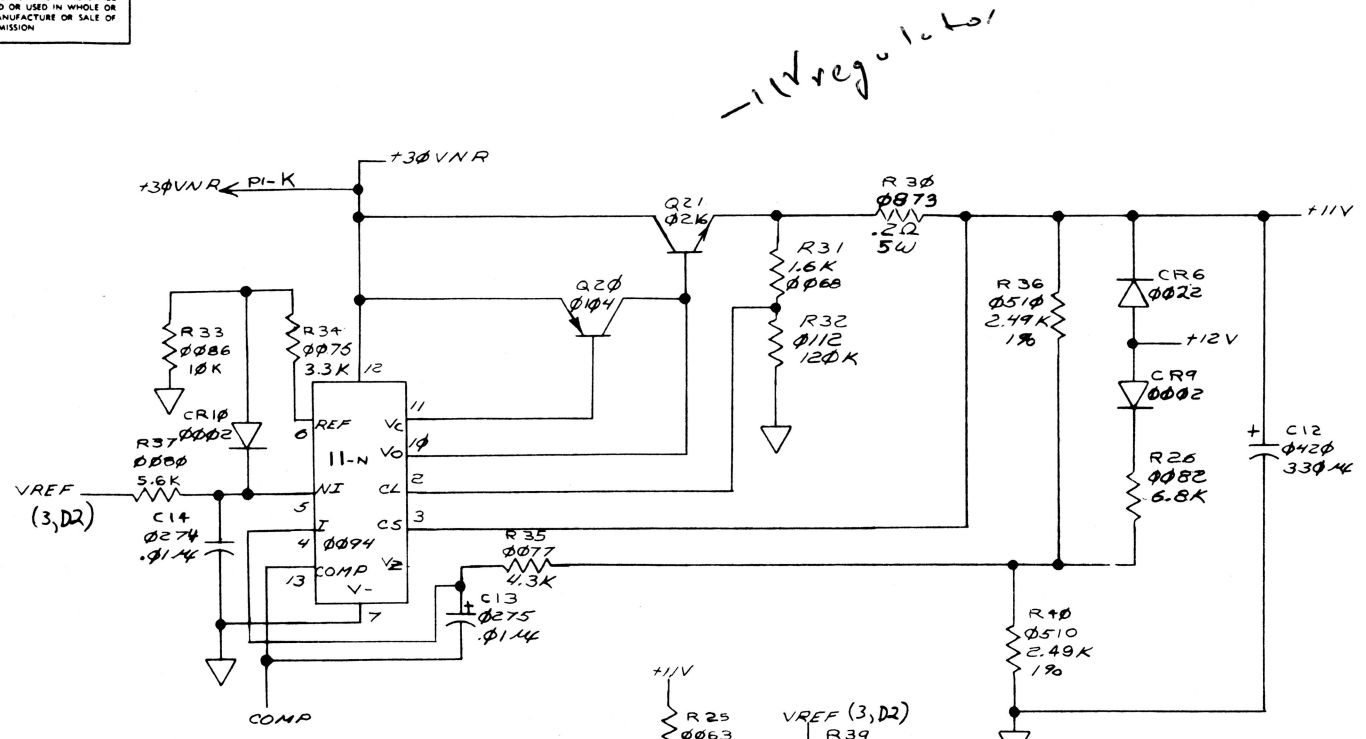
DO NOT SCALE DRAWING	DRAWN <i>Mark Buhle</i>	DATA GENERAL CORPORATION	
UNLESS OTHERWISE SPECIFIED	CHECKED	SOUTHBORO, MASS. 01772	
USE D.G.C. SPECIFICATION		TITLE	
108-000028 FOR TOLERANCES AND WORKMANSHIP REQUIREMENTS	ENGINEER	NOVA 4	
	APPROVED	POWER SUPPLY	
	FIRST USED ON	PCB	
		SCALE	DRAWING NUMBER
		34984 D	001001524 10

SHEET 2 OF 8

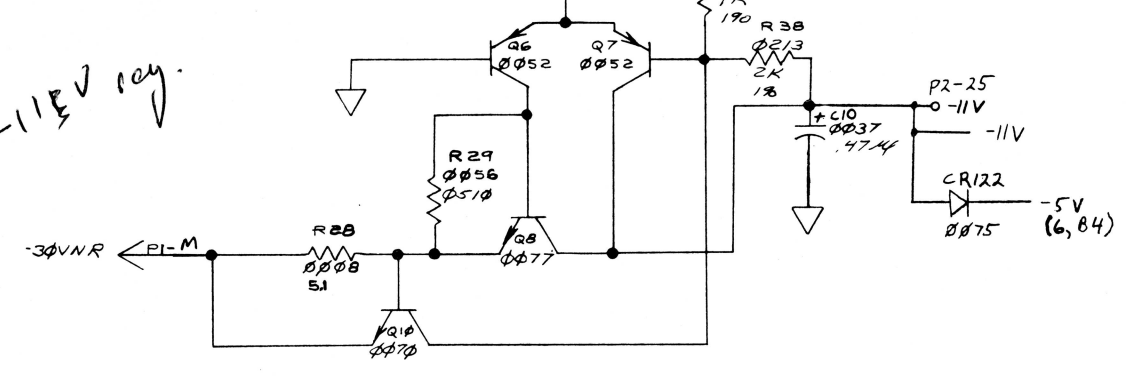
DRAWING 40-538 20111-2

THIS DRAWING AND SPECIFICATIONS HEREIN ARE THE PROPERTY OF DATA GENERAL CORPORATION AND SHALL NOT BE REPRODUCED OR COPIED OR USED IN WHOLE OR IN PART AS THE BASIS FOR MANUFACTURE OR SALE OF ITEMS WITHOUT WRITTEN PERMISSION.

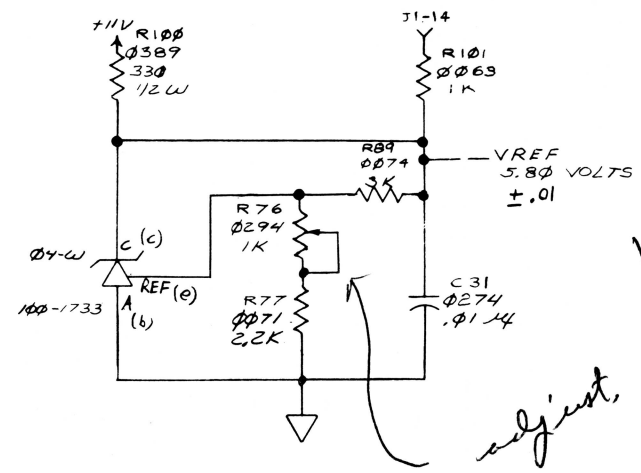
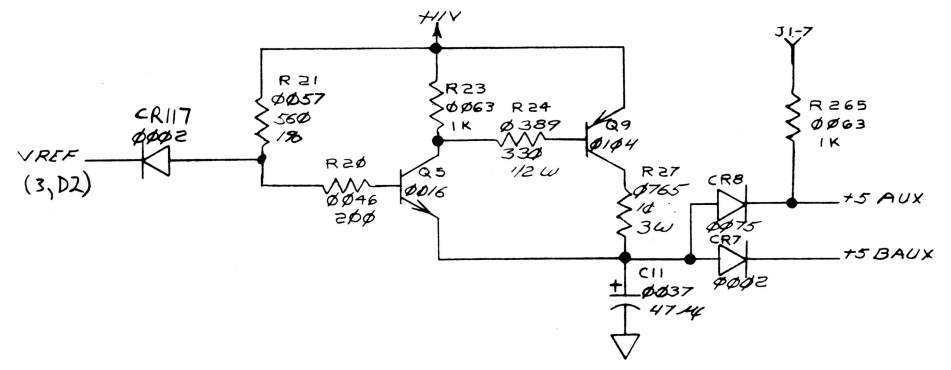
REVISIONS				
REV	DESCRIPTION	DRFTG	APP BY	DATE
000				



+11V reg.

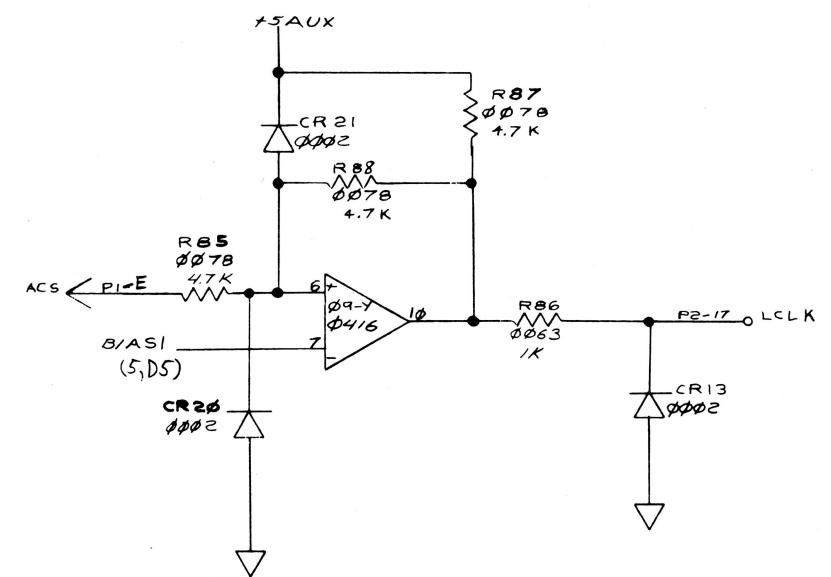


+5V regulator



Voltage Reference Regulator

adjust



- NOTES:
- = 50 EDGE PIN CONNECTORS
 - ← = HIGH VOLTAGE EDGE CONNECTORS
 - TP = TO TEST POINT AT FRONT OF CARD
 - TP X = TERMI-PIN TEST POINT
 - W3 CONNECTS TO BATA0 FOR BBU VERSION, TO 07-D PING FOR NON-BBU VERSION.
 - R5, R7 NOT INSTALLED ON BBU VERSION.
 - R6 IS 100-0278 FOR BBU VERSION, 100-0075 FOR NON-BBU VERSION.
 - CR2 INSTALLED ON BBU VERSION, REPLACED BY JUMPER WIRE ON NON-BBU VERSION.
 - CR35-CR38, CR99, CR50 TO BE STOOD ON END ALLOWING NO LEAD LENGTH BETWEEN P.C.B AND DIODE.
 - ALL COMPONENTS ON PAGE B ARE FOR BATTERY BACKUP ONLY EXCEPT R07, R08, C32, CR23 AND ASSOCIATED JUMPER.

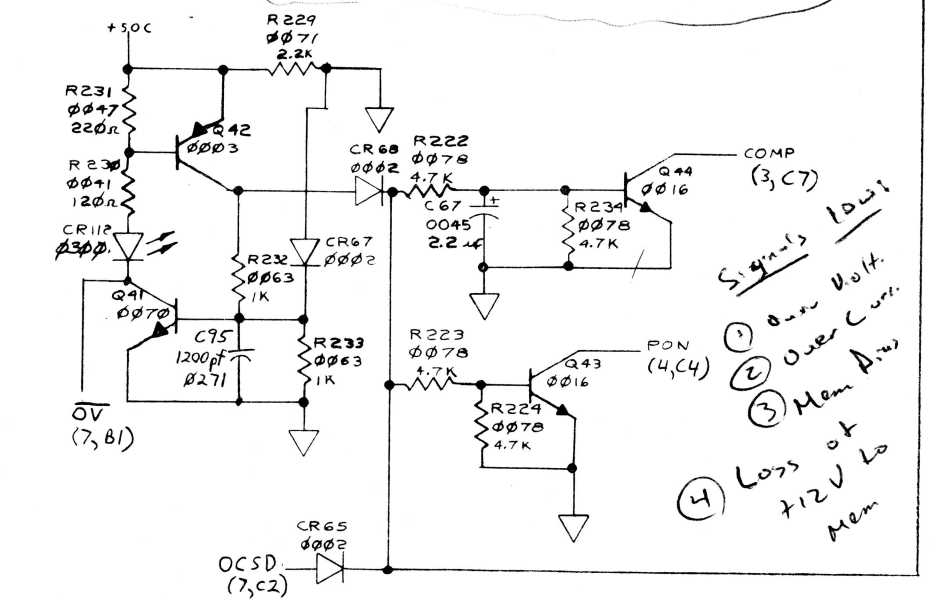
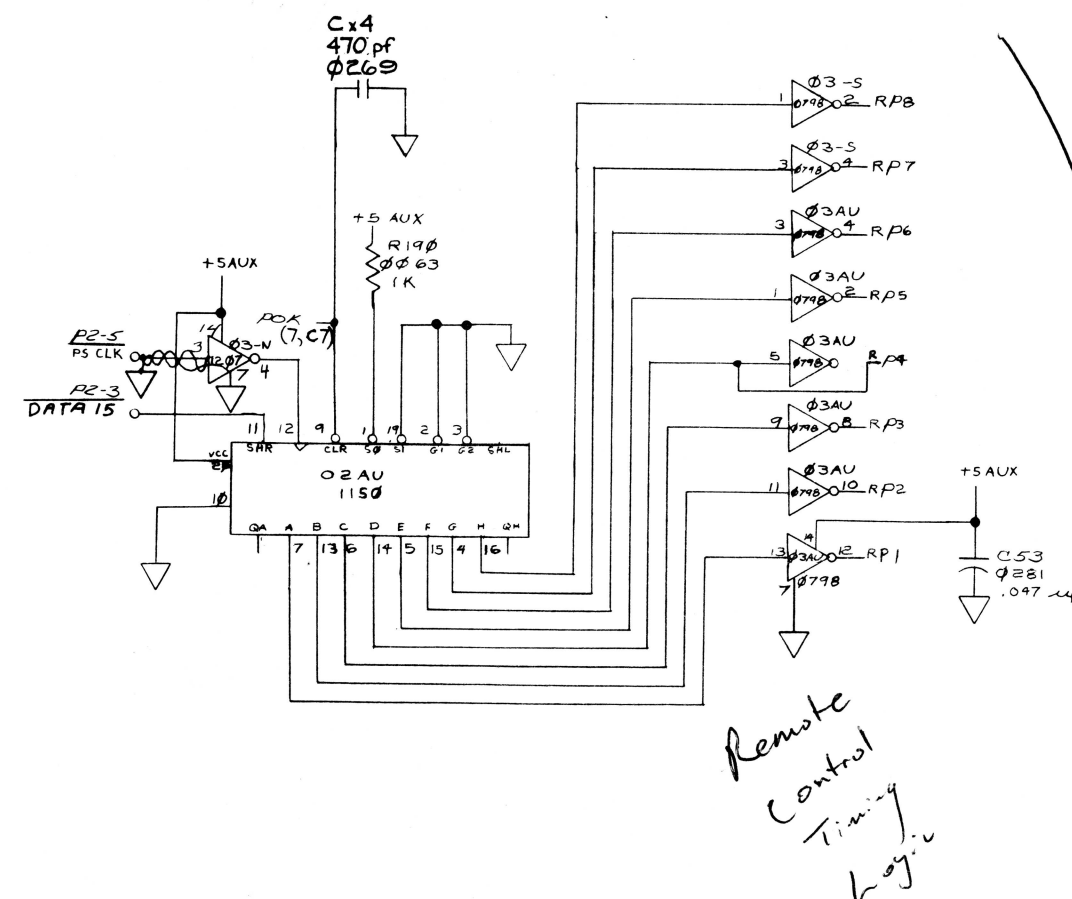
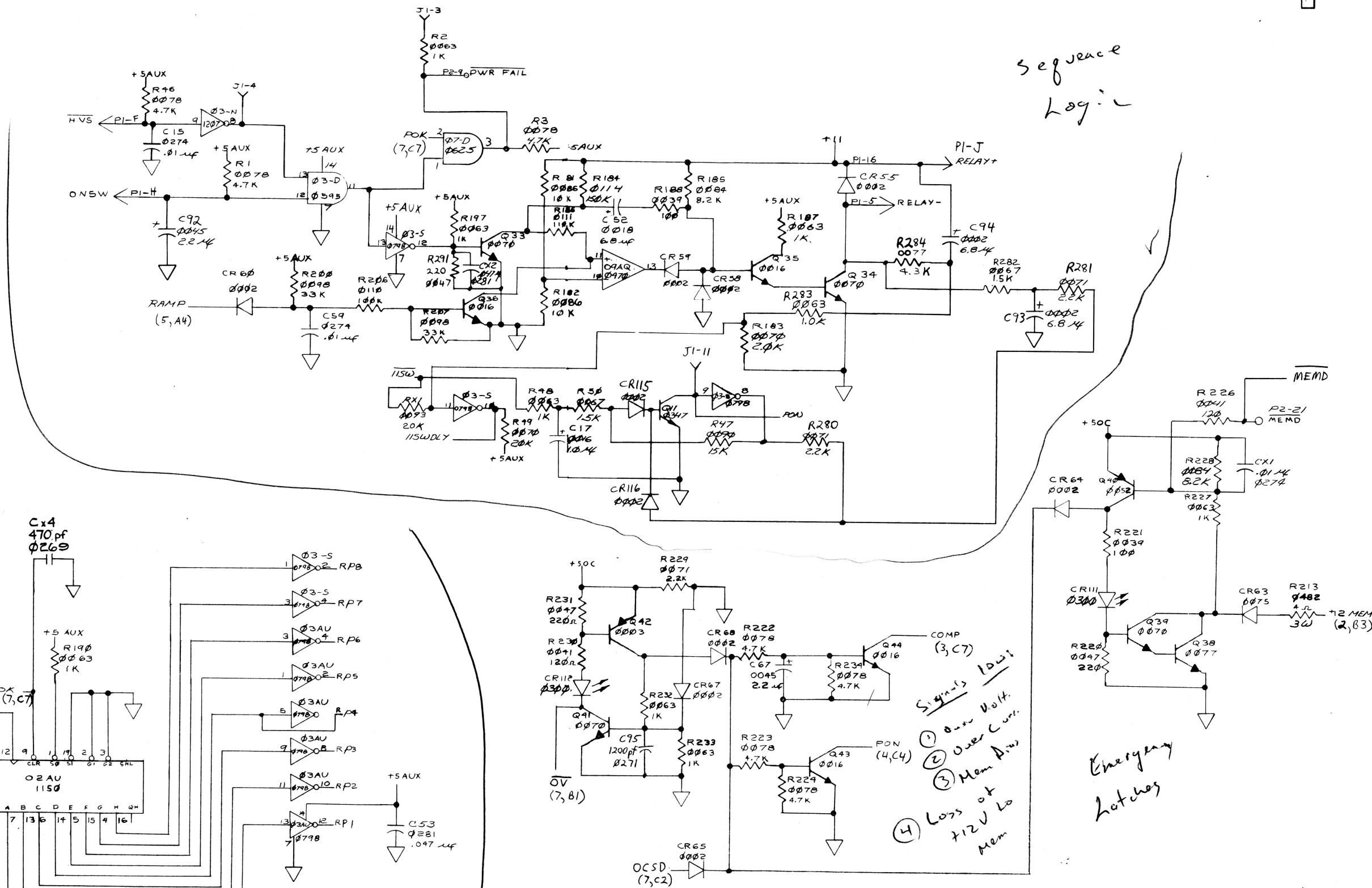
+11, -11, and +5Aux Regulators, VRef, LClock

ITEM	QTY.	DESCRIPTION	PART NO.
DO NOT SCALE DRAWING. UNLESS OTHERWISE SPECIFIED USE D.G.C. SPECIFICATION 108-000028 FOR TOLERANCES AND WORKMANSHIP REQUIREMENTS.			
DRAWN		DATA GENERAL CORPORATION	
CHECKED		SOUTHBORO, MASS. 01772	
ENGINEER		TITLE	
APPROVED		NOVA 4	
FIRST USED ON		POWER SUPPLY	
		PCB	
SCALE	CODE IDENT	SIZE	CODE
	34984	D	
DRAWING NUMBER		DRAWING NUMBER	
001001524		001001524	

01300088

THIS DRAWING AND SPECIFICATIONS HEREIN ARE THE PROPERTY OF DATA GENERAL CORPORATION AND SHALL NOT BE REPRODUCED OR COPIED OR USED IN WHOLE OR IN PART AS THE BASIS FOR MANUFACTURE OR SALE OF ITEMS WITHOUT WRITTEN PERMISSION.

REVISIONS			
REV	DESCRIPTION	DRFTG	APP BY DATE



Soft Start + Sequencing, Remote Program, Emergency Latches

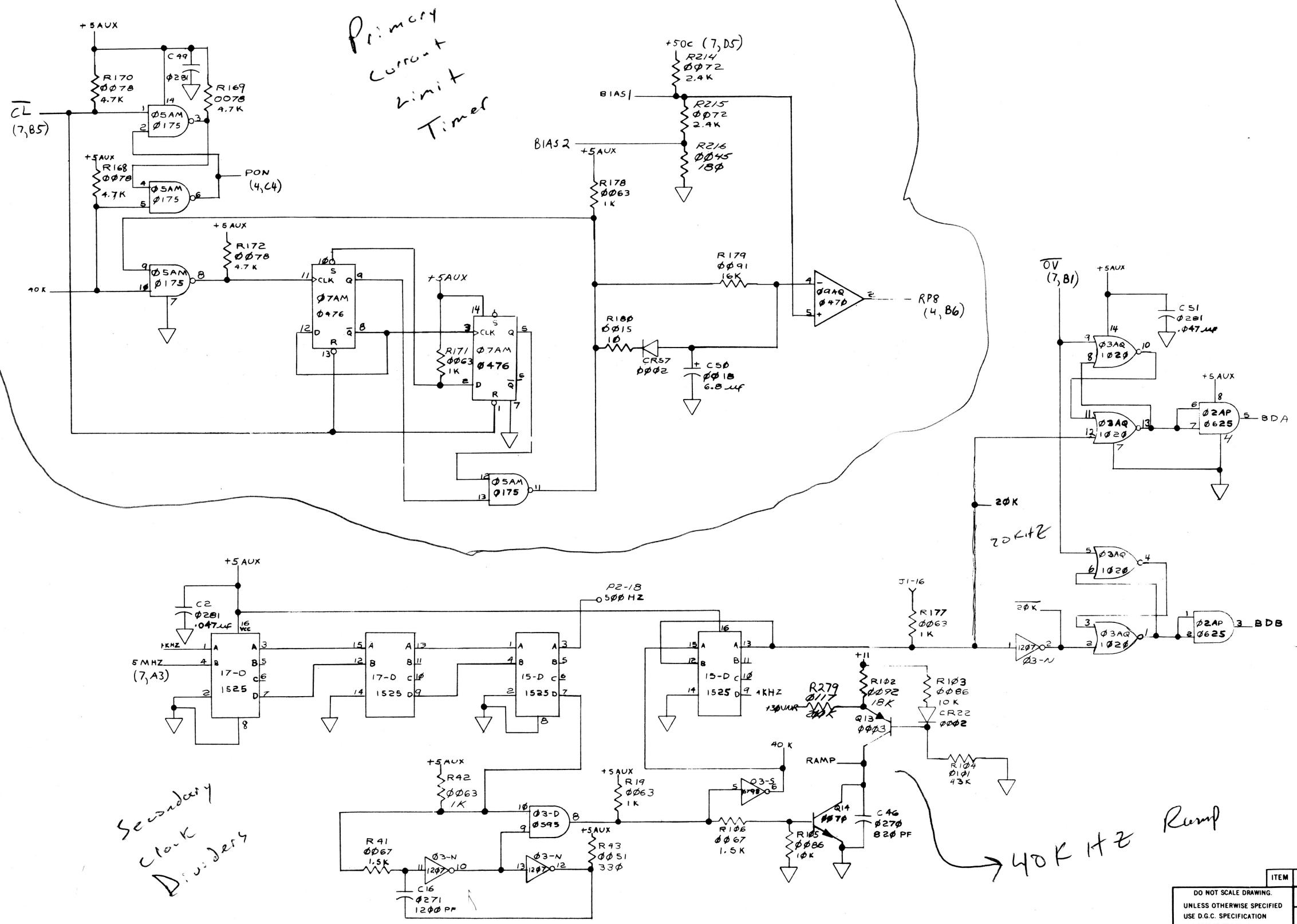
ITEM	QTY	DESCRIPTION	PART NO.

DO NOT SCALE DRAWING. UNLESS OTHERWISE SPECIFIED USE D.G.C. SPECIFICATION 108-000028 FOR TOLERANCES AND WORKMANSHIP REQUIREMENTS.	DRAWN Paul Drury 2-1-78 CHECKED	DATA GENERAL CORPORATION SOUTHBORO, MASS. 01772	
MATERIAL	ENGINEER	TITLE NOVA 4 POWER SUPPLY PCB	
FINISH	APPROVED	SCALE	CODE IDENT. SIZE CODE DRAWING NUMBER REV
			34984 D 101001524 10

DRAWING 40-534 20411-2

THIS DRAWING AND SPECIFICATIONS HEREIN, ARE THE PROPERTY OF DATA GENERAL CORPORATION AND SHALL NOT BE REPRODUCED OR COPIED OR USED IN WHOLE OR IN PART AS THE BASIS FOR MANUFACTURE OR SALE OF ITEMS WITHOUT WRITTEN PERMISSION.

REVISIONS				
REV.	DESCRIPTION	DRFTG.	APP. BY	DATE



Primary Current Limit Timer

20 KHz Sq. wave

Secondary Clock Dividers

40KHz Ramp

Secondary Clock Dividers, Overcurrent Counter

ITEM	QTY.	DESCRIPTION	PART NO.
DO NOT SCALE DRAWING. UNLESS OTHERWISE SPECIFIED USE D.G.C. SPECIFICATION 108-000028 FOR TOLERANCES AND WORKMANSHIP REQUIREMENTS.			
DRAWN <i>David Emery 3/72</i>		DATA GENERAL CORPORATION SOUTHBORO, MASS. 01772	
CHECKED		TITLE NOVA 4 POWER SUPPLY	
ENGINEER		PCB	
APPROVED		DRAWING NUMBER 001001524	
FIRST USED ON		REV 10	
SCALE		CODE IDENT. 34984	SIZE D

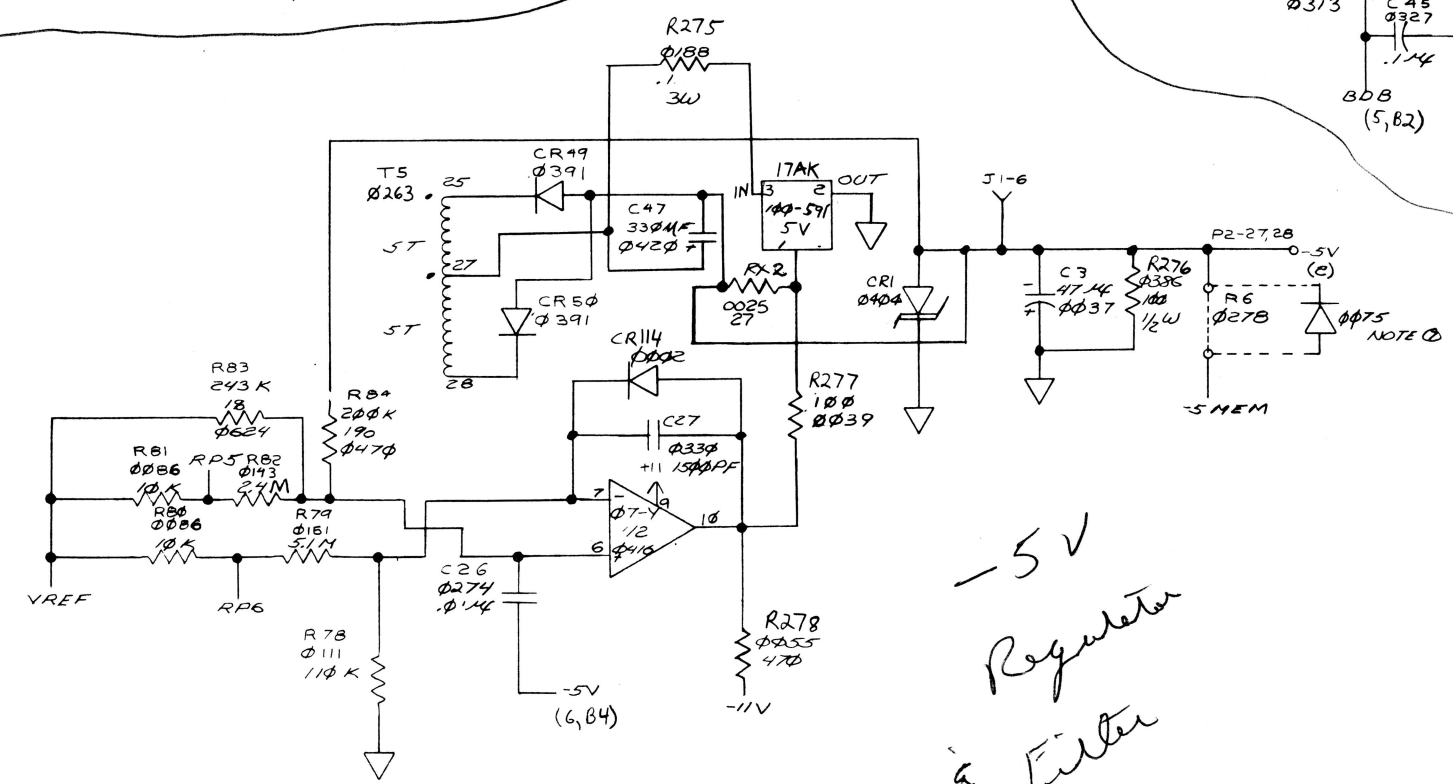
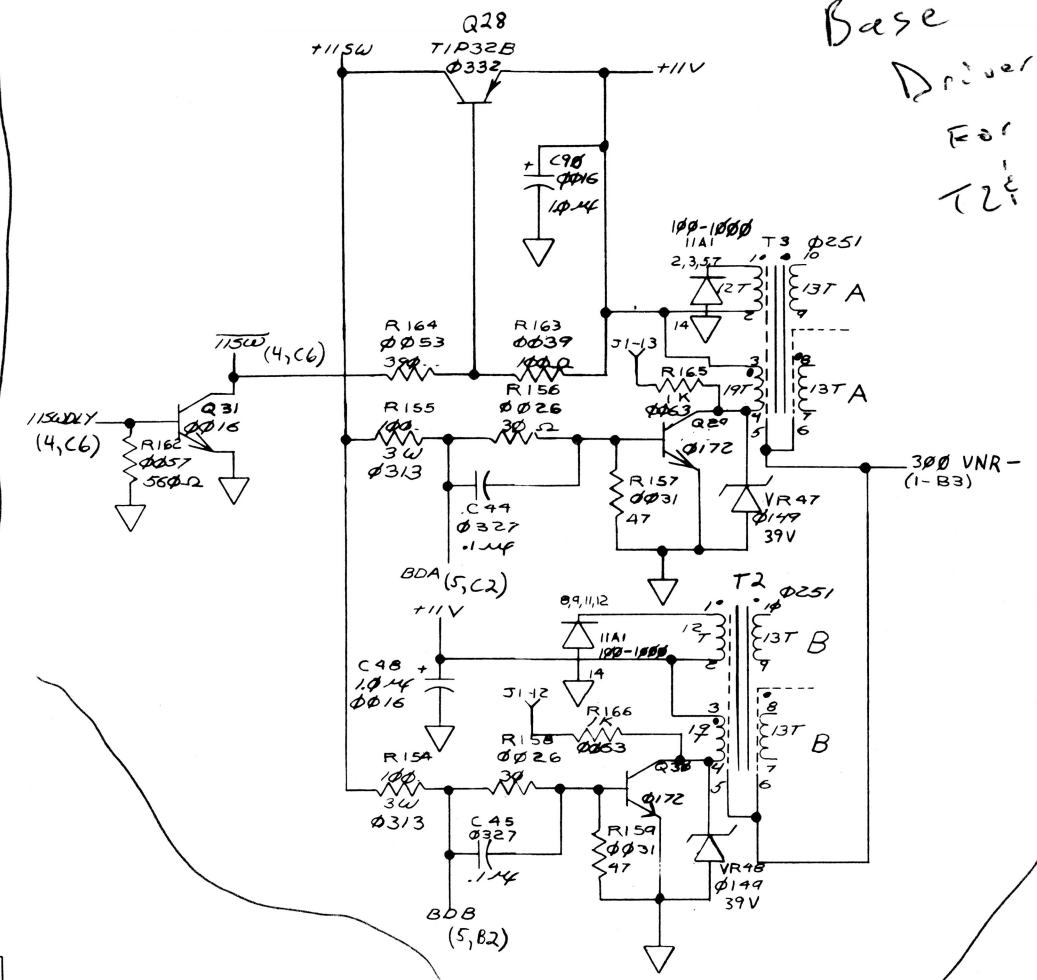
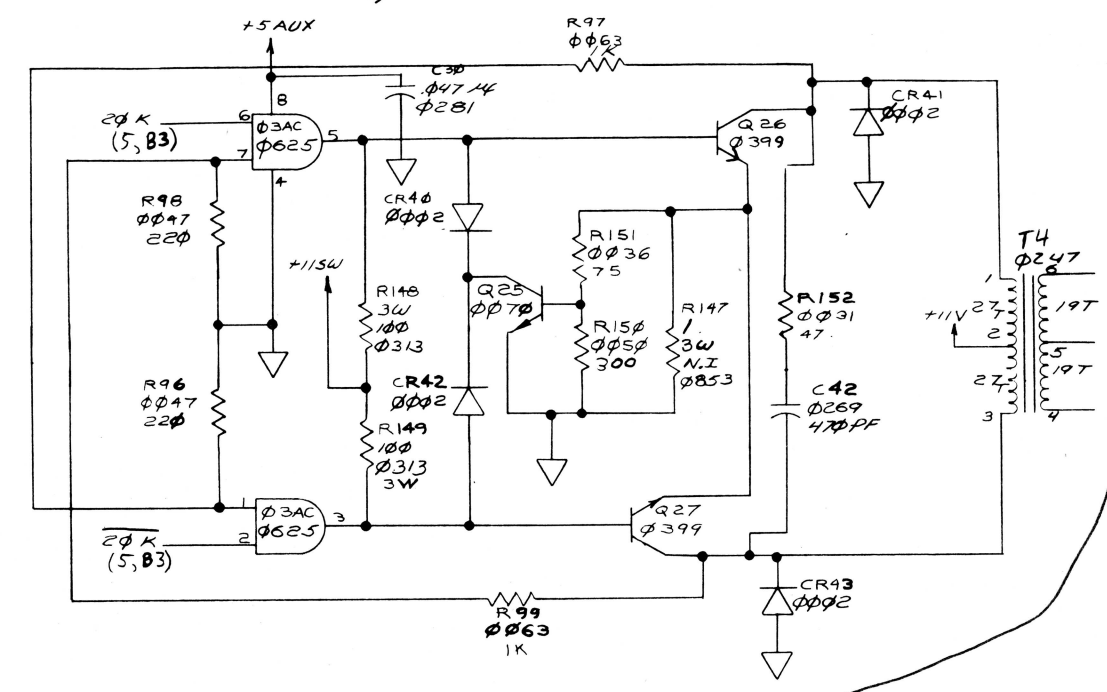
THIS DRAWING AND SPECIFICATIONS HEREIN ARE THE PROPERTY OF DATA GENERAL CORPORATION AND SHALL NOT BE REPRODUCED OR COPIED OR USED IN WHOLE OR IN PART AS THE BASIS FOR MANUFACTURE OR SALE OF ITEMS WITHOUT WRITTEN PERMISSION.

REVISIONS				
REV	DESCRIPTION	DRFTG	APP BY	DATE

Base Driver for T4

Base Driver For T2 & T3

Secondary all on sheet 1



-5V Regulator & Filter

Base Drivers (Primary side), -5 Volt Output

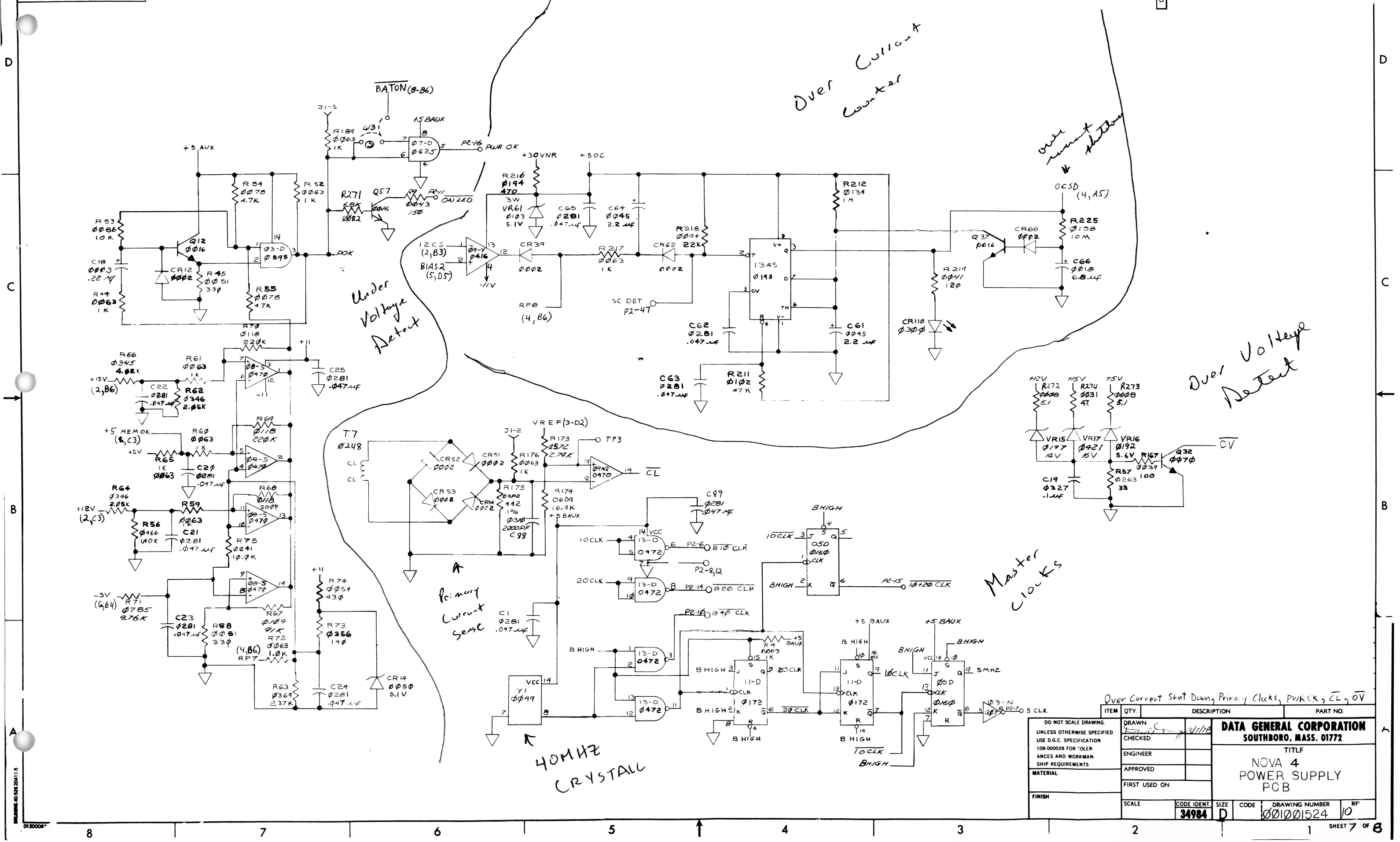
ITEM	QTY	DESCRIPTION	PART NO.

DO NOT SCALE DRAWING. UNLESS OTHERWISE SPECIFIED USE D.G.C. SPECIFICATION 108-000028 FOR TOLERANCES AND WORKMANSHIP REQUIREMENTS.	DRAWN <i>Mark Bulak</i> 3/21/78 CHECKED ENGINEER APPROVED FIRST USED ON	DATA GENERAL CORPORATION SOUTHBORO, MASS. 01772 TITLE NOVA 4 POWER SUPPLY PCB
MATERIAL	SCALE	CODE IDENT
FINISH	SIZE	CODE
	34984	D
	DRAWING NUMBER	REV
	001001524	10

DRAWING 40-138 20111-2

THIS DRAWING AND SPECIFICATIONS, HEREIN, ARE THE PROPERTY OF DATA GENERAL CORPORATION AND SHALL NOT BE REPRODUCED OR COPIED OR USED IN WHOLE OR IN PART AS THE BASIS FOR MANUFACTURE OR SALE OF ITEMS WITHOUT WRITTEN PERMISSION.

REVISIONS			
REV.	DESCRIPTION	DRFTG.	APP BY



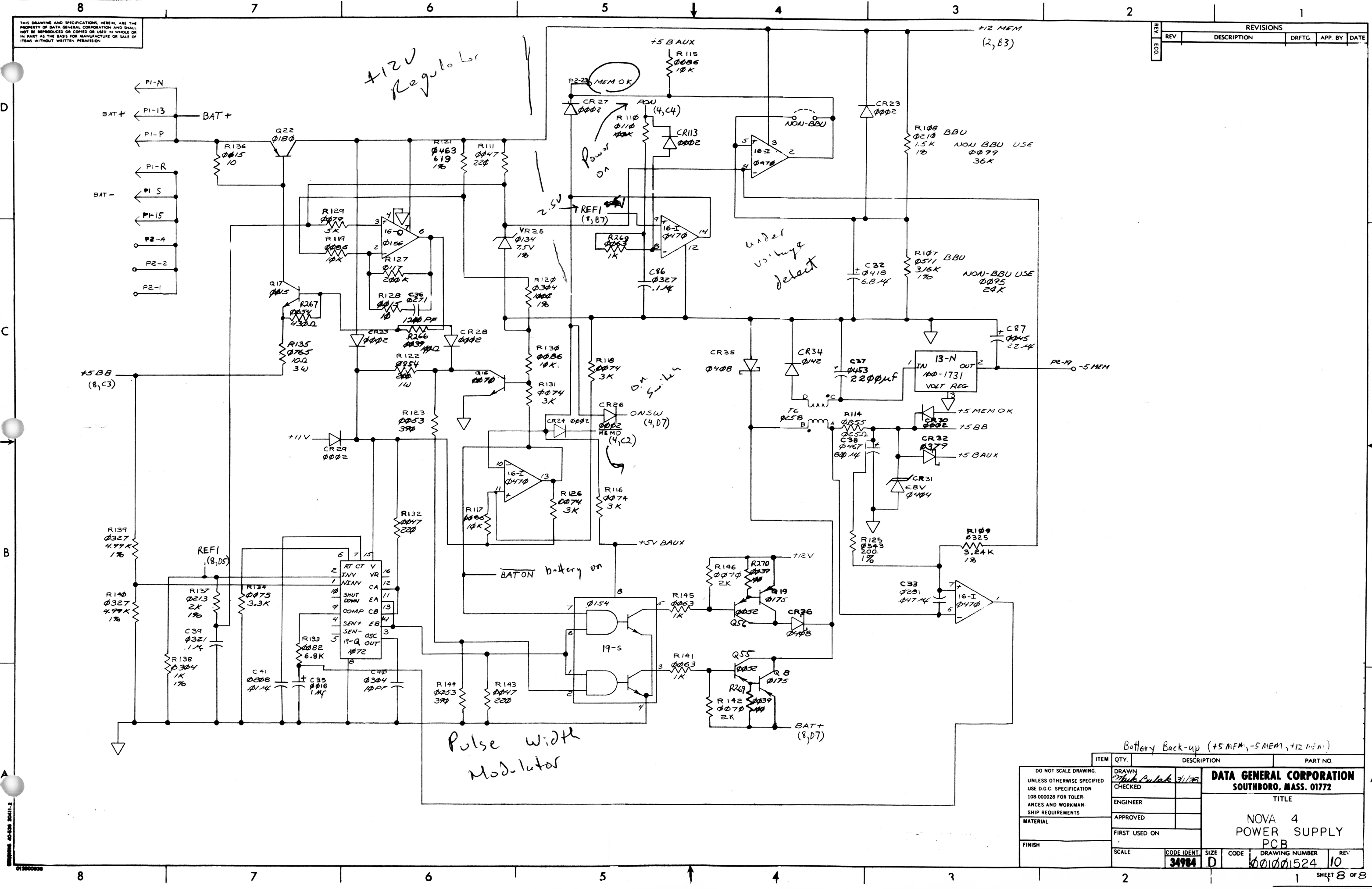
ITEM	QTY.	DESCRIPTION	PART NO.

DO NOT SCALE DRAWING UNLESS OTHERWISE SPECIFIED USE D.G.C. SPECIFICATION 108-000028 FOR TOLERANCES AND WORKMANSHIP REQUIREMENTS	DRAWN CHECKED ENGINEER APPROVED	DATA GENERAL CORPORATION SOUTHBORO, MASS. 01772
MATERIAL	FIRST USED ON	TITLE NOVA 4 POWER SUPPLY PCB
FINISH	SCALE	CODE IDENT. 34984 SIZE D CODE 10 DRAWING NUMBER 001001524 RF

10-30008*

THIS DRAWING AND SPECIFICATIONS HEREIN ARE THE PROPERTY OF DATA GENERAL CORPORATION AND SHALL NOT BE REPRODUCED OR COPIED OR USED IN WHOLE OR IN PART AS THE BASIS FOR MANUFACTURE OR SALE OF ITEMS WITHOUT WRITTEN PERMISSION.

REVISIONS				
REV	DESCRIPTION	DRFTG	APP BY	DATE



Battery Back-up (+5 MEM, -5 MEM, +12 MEM)

ITEM	QTY	DESCRIPTION	PART NO.

DO NOT SCALE DRAWING UNLESS OTHERWISE SPECIFIED USE D.G.C. SPECIFICATION 108-000028 FOR TOLERANCES AND WORKMANSHIP REQUIREMENTS	DRAWN <i>Mark Cutler</i> 3/1/78 CHECKED ENGINEER APPROVED FIRST USED ON	DATA GENERAL CORPORATION SOUTHBORO, MASS. 01772	
MATERIAL		TITLE NOVA 4 POWER SUPPLY PCB	
FINISH	SCALE 	CODE IDENT. 34984	SIZE D
		CODE 001001524	DRAWING NUMBER 10
		REV 10	

SHEET 8 OF 8