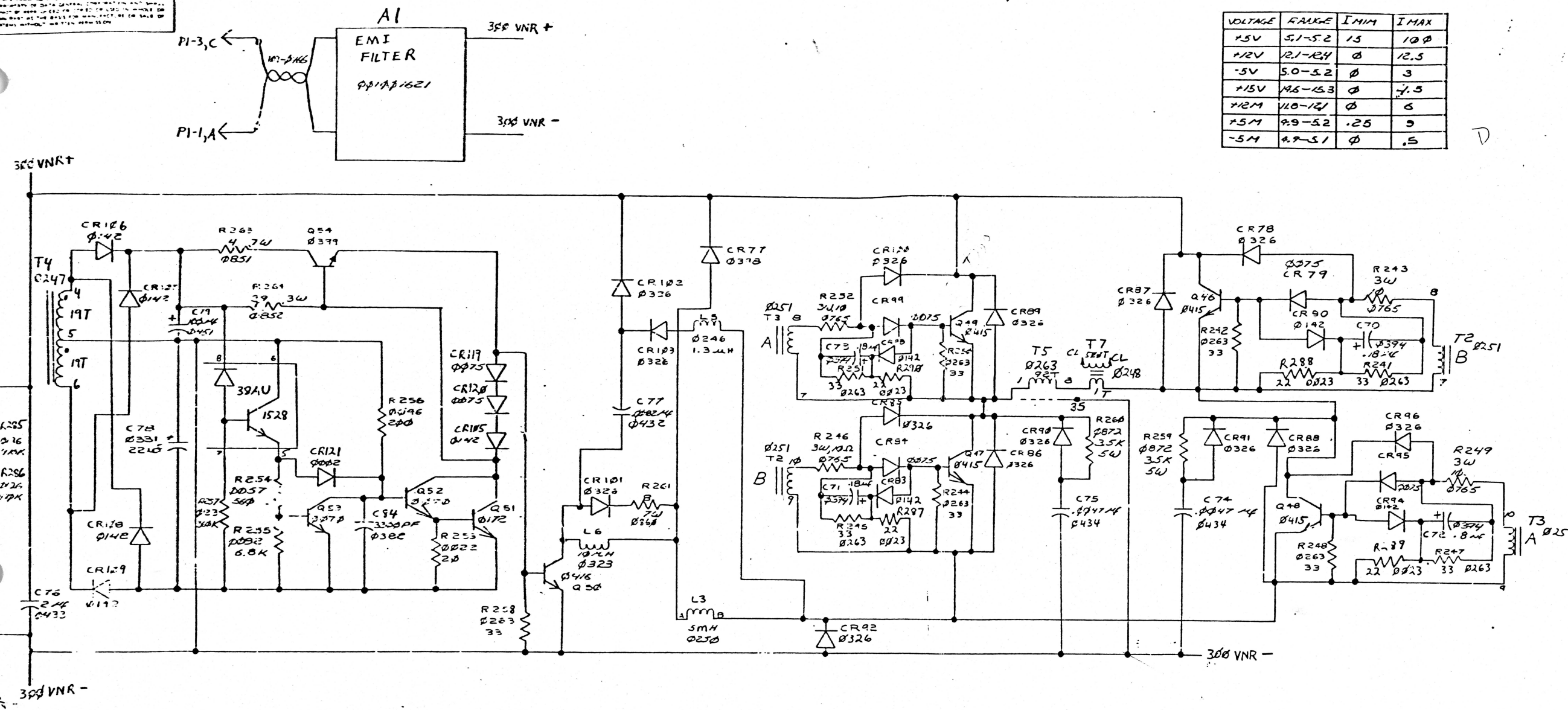
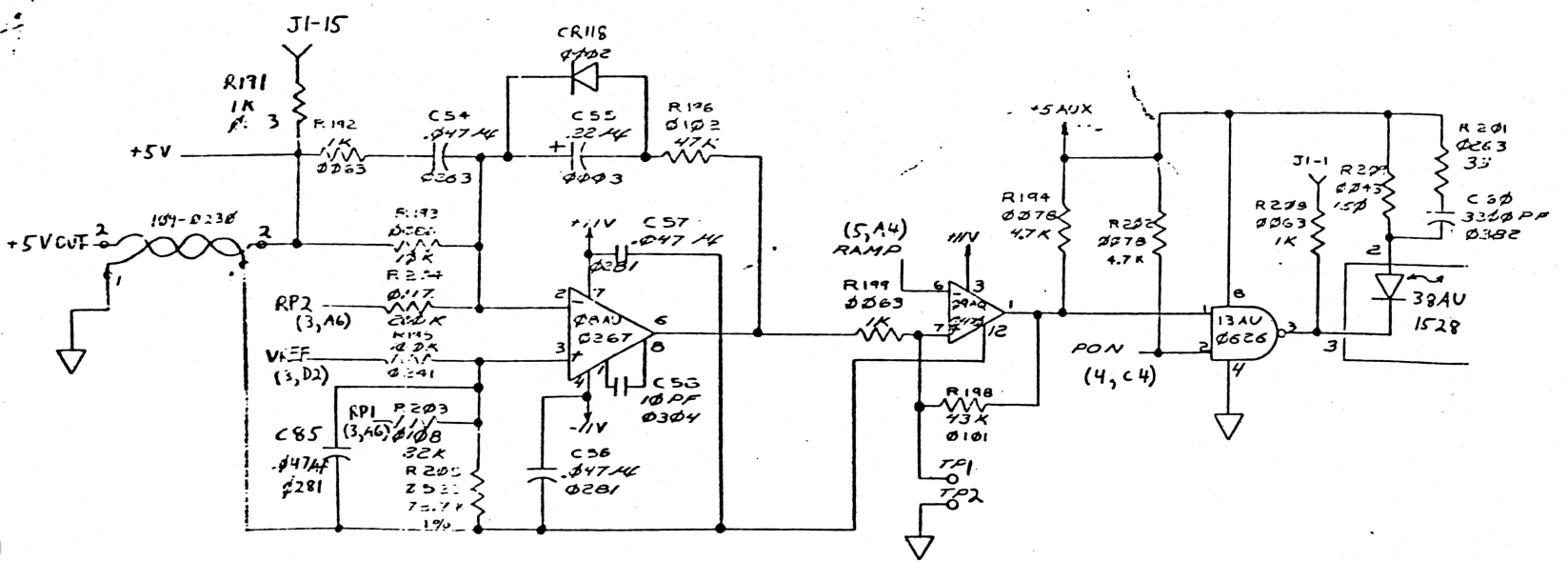


IN DRAWING AND SPECIFICATIONS, UNLESS OTHERWISE SPECIFIED, THE PARTS AND MATERIALS SHALL BE AS SHOWN OR SPECIFIED IN THE PART AND MATERIAL SPECIFICATIONS. THE PARTS AND MATERIALS SHALL BE OF THE GRADE AND MANUFACTURE AS SPECIFIED IN THE PART AND MATERIAL SPECIFICATIONS. THE PARTS AND MATERIALS SHALL BE OF THE GRADE AND MANUFACTURE AS SPECIFIED IN THE PART AND MATERIAL SPECIFICATIONS.



VOLTAGE	RANGE	I MIN	I MAX
+5V	5.1-5.2	15	100
+12V	12.1-12.4	0	12.5
-5V	5.0-5.2	0	3
+15V	14.6-15.3	0	7.5
+12M	11.0-12	0	6
+5M	4.9-5.2	.25	5
-5M	4.7-5.1	0	.5

REVISIONS				
REV	DESCRIPTION	DRFTG	APP BY	DATE
00	Released for E506			11/22
01	ECO # E570A	JB	RJA	12/19
02	ECO # E595	JB	RJA	12/21
03	ECO # F816	JB	RJA	1/20
04	ECO # F848	JB	RJA	2-4
05	ECO # F879	JB	RJA	3-16
06	ECO # F886	JB	RJA	3-22
07	ECO # F888	JB	RJA	7-18
08	ECO # G705	JB	RJA	7-23
09	ECO # S471A	JB	RJA	8-27
10	ECO # S473	JB	RJA	10-27
11	ECO # F832	JB	RJA	7-23
12	ECO # 9690D	JB	RJA	7-23
13	ECO # 10371	JB	RJA	11-13
14	ECO # 11324A	JB	RJA	9-20
15	PER ECO # 11215	JB	RJA	11-20
16	PER ECO # 11604	JB	RJA	11-20



TEST POINTS	
1	FUZZ
2	CURRENT
3	FWR FAIL
4	HVS
5	POK
6	-5V
7	+5AUX
8	+5V
9	GND
10	+12V
11	FOU
12	Q30-C
13	Q29-C
14	VREF
15	+5V
16	20K

WARNING: HAZARDOUS VOLTAGES EXIST ON THIS UNIT. SERVICE MUST ONLY BE PERFORMED BY QUALIFIED PERSONNEL.

SEE PAGE 3 FOR ALL NOTES.

016000688

ITEM	QTY	DESCRIPTION	PART NO
1	1	ARTWORK: 107	
2	1	ARTWORK VS SCHEMATIC	
3	1	SCHEMATIC REV(S)	
4	1	01 02 03 04 05	
5	1	06 07 08 09 10	
6	1	11 12 13 14 15	
7	1	16	

DO NOT SCALE DRAWING UNLESS OTHERWISE SPECIFIED USE D.C.C. SPECIFICATION FOR DIMENSIONS FOR TOLERANCES AND WORKMANSHIP REQUIREMENTS MATERIAL FINISH

SCALE	CODE IDENT	SIZE	CODE	DRAWING NUMBER	REV
	34734	D		34734	15

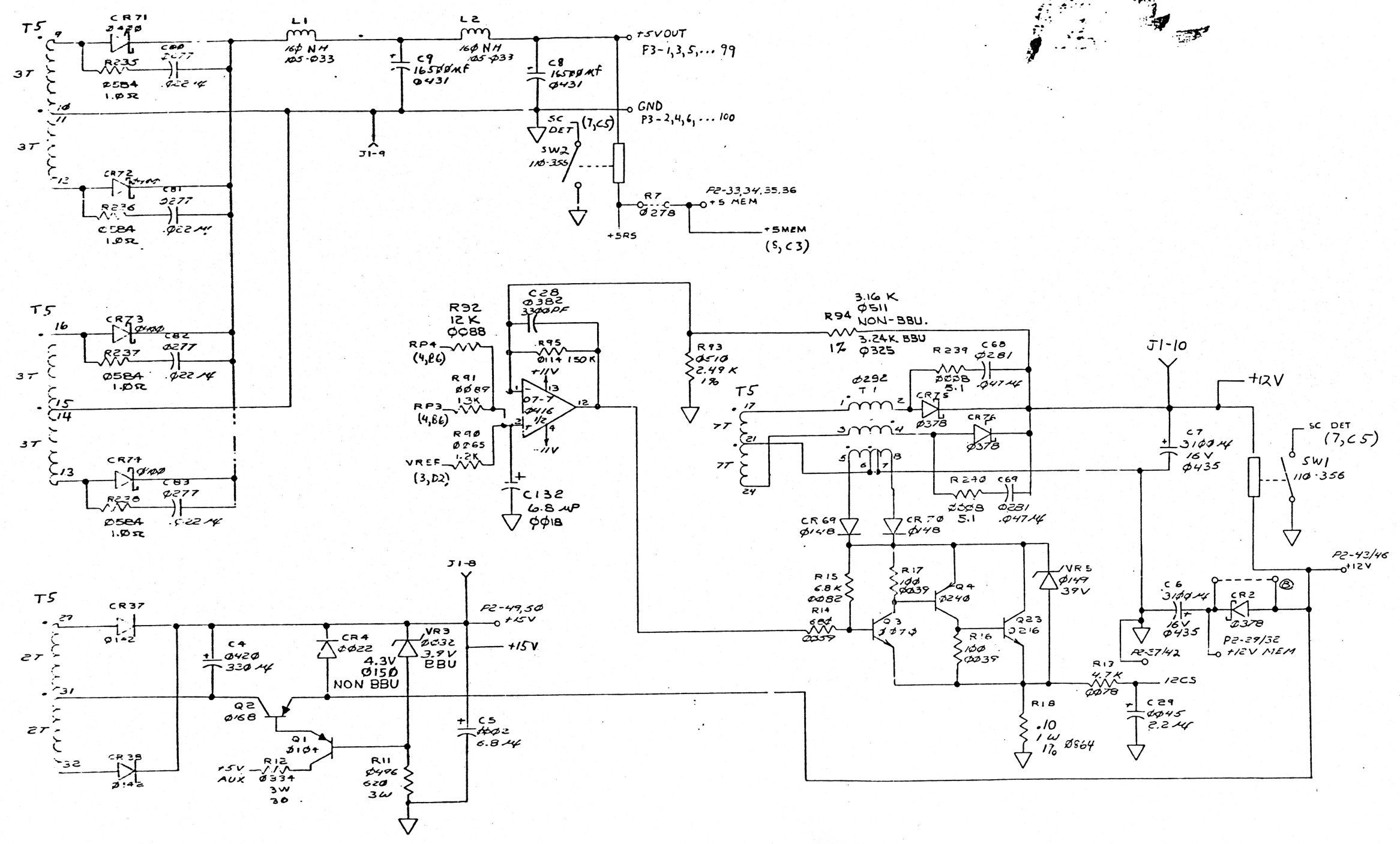
DATA GENERAL CORPORATION
SOUTHBORO, MASS. 01772
TITLE
NOVA 4
POWER SUPPLY
PCB

NOV 1972

+5V Regulator, HV Switching Section

REVISIONS				
REV	DESCRIPTION	DRFTG	APP BY	DATE

ALL DIMENSIONS AND SPECIFICATIONS ARE IN INCHES UNLESS OTHERWISE SPECIFIED. ALL DIMENSIONS ARE TO CENTER UNLESS OTHERWISE SPECIFIED. THE BUYER FOR MANUFACTURE OF THIS BOARD SHALL BE RESPONSIBLE FOR THE BOARD'S CONFORMANCE WITH THE SPECIFICATIONS.



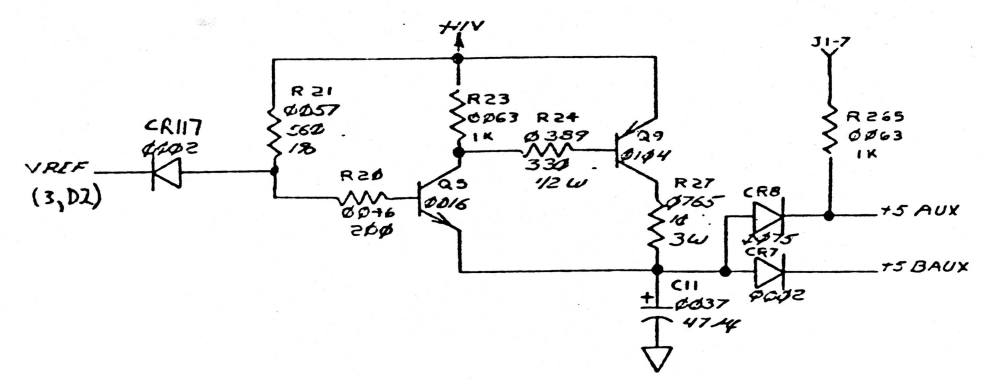
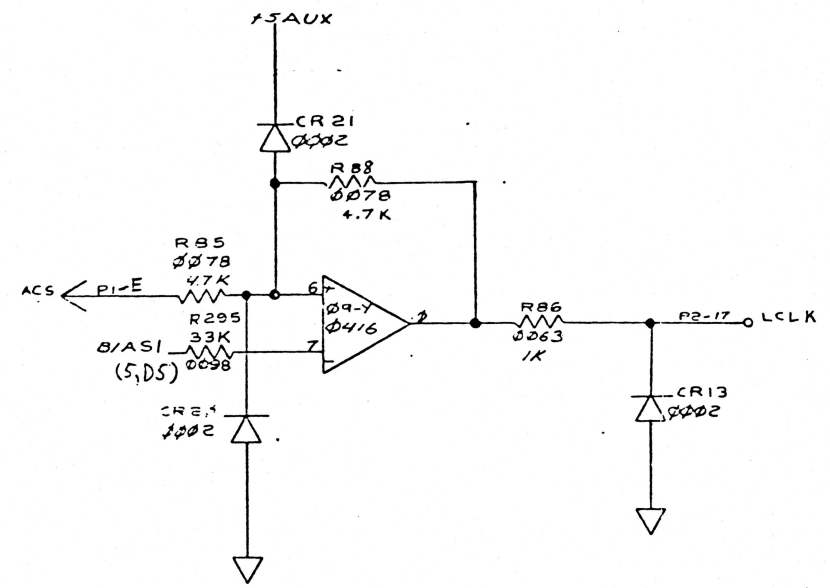
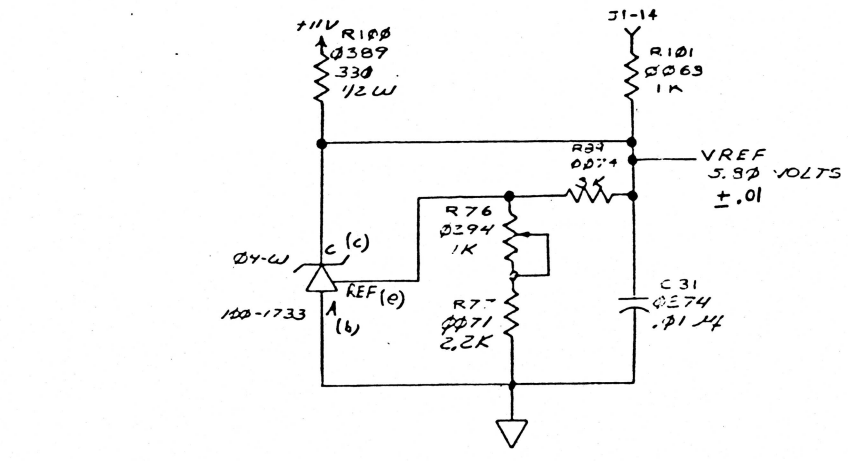
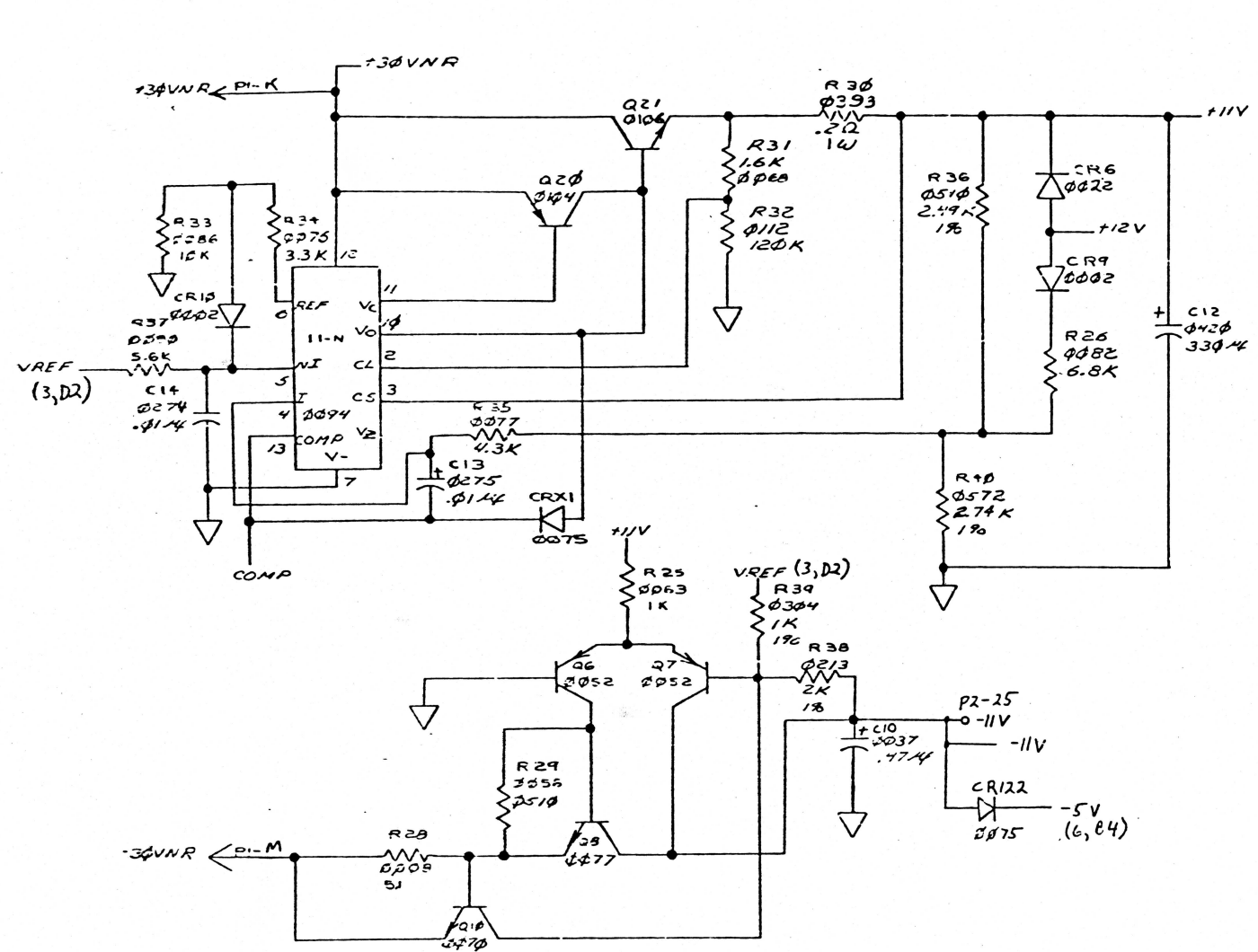
+5V Output, +12 Output + Regulator, +15 Regulator

ITEM	QTY	DESCRIPTION	PART NO

DO NOT SCALE DRAWING UNLESS OTHERWISE SPECIFIED USE D G C SPECIFICATION 100 00028 FOR TOLERANCES AND WORKMANSHIP REQUIREMENTS	DRAWN 3/24/72 CHECKED 3/27/72 ENGINEER APPROVED FIRST USED ON	DATA GENERAL CORPORATION SOUTH BORO, MASS. 01772 TITLE NOVA 4 POWER SUPPLY PCB SCALE CODE IDENT 34984 SIZE D CODE DRAWING NUMBER 021271524 REV 13
--	---	--

THE DIMENSIONS AND SPECIFICATIONS HEREIN ARE THE PROPERTY OF DATA GENERAL CORPORATION AND SHALL NOT BE REPRODUCED OR COPIED IN WHOLE OR IN PART AS THE BASIS FOR MANUFACTURE OR SALE OF PRODUCTS WITHOUT THE WRITTEN PERMISSION OF DATA GENERAL CORPORATION.

REVISIONS				
REV	DESCRIPTION	DP/PTG	APP BY	DATE
ECO				



- NOTES:
1. $\text{---} \circ \text{---}$ = 50 EDGE PIN CONNECTORS
 2. $\text{---} \leftarrow \text{---}$ = HIGH VOLTAGE EDGE CONNECTORS
 3. $\text{---} \text{Y}$ = TO TEST POINT AT FRONT OF CARD
 4. $\text{---} \text{TP}_X$ = TERMINAL-PIN TEST POINT
 5. U_3 CONNECTS TO BATT00 FOR BBU VERSION, TO 07-D PIN 6 FOR NON-BBU VERSION.
 6. R_5, R_7 NOT INSTALLED ON BBU VERSION.
 7. R_6 IS 102-0278 FOR BBU VERSION, 101-0379 FOR NON-BBU VERSION. (CR123)
 8. CR_2 INSTALLED ON BBU VERSION, REPLACED BY JUMPER WIRE ON NON-BBU VERSION.
 9. $\text{CR}_{35}-\text{CR}_{38}, \text{CR}_{49}, \text{CR}_{50}$ TO BE STOOD ON END ALLOWING NO LEAD LENGTH BETWEEN P.C.B AND DIODE.
 10. ALL COMPONENTS ON PAGE B ARE FOR BATTERY BACKUP ONLY EXCEPT $\text{R}_{87}, \text{R}_{100}, \text{C}_{32}, \text{CR}_{23}$ AND ASSOCIATED JUMPER.

+11, -11, and +5AUX Regulators, VREF, Lclock

ITEM	QTY.	DESCRIPTION	PART NO.
DO NOT SCALE DRAWING.			
UNLESS OTHERWISE SPECIFIED USE D.C.C. SPECIFICATION			
100-00028 FOR TOLERANCES AND WORKMANSHIP REQUIREMENTS			
MATERIAL			
FINISH			
SCALE	CODE IDENT	SIZE	CODE
	34984	D	
DRAWING NUMBER		REV.	
001001524		100	

DATA GENERAL CORPORATION
SOUTHBORO, MASS. 01772

TITLE
NOVA 4
POWER SUPPLY
PCB

8

7

6

5

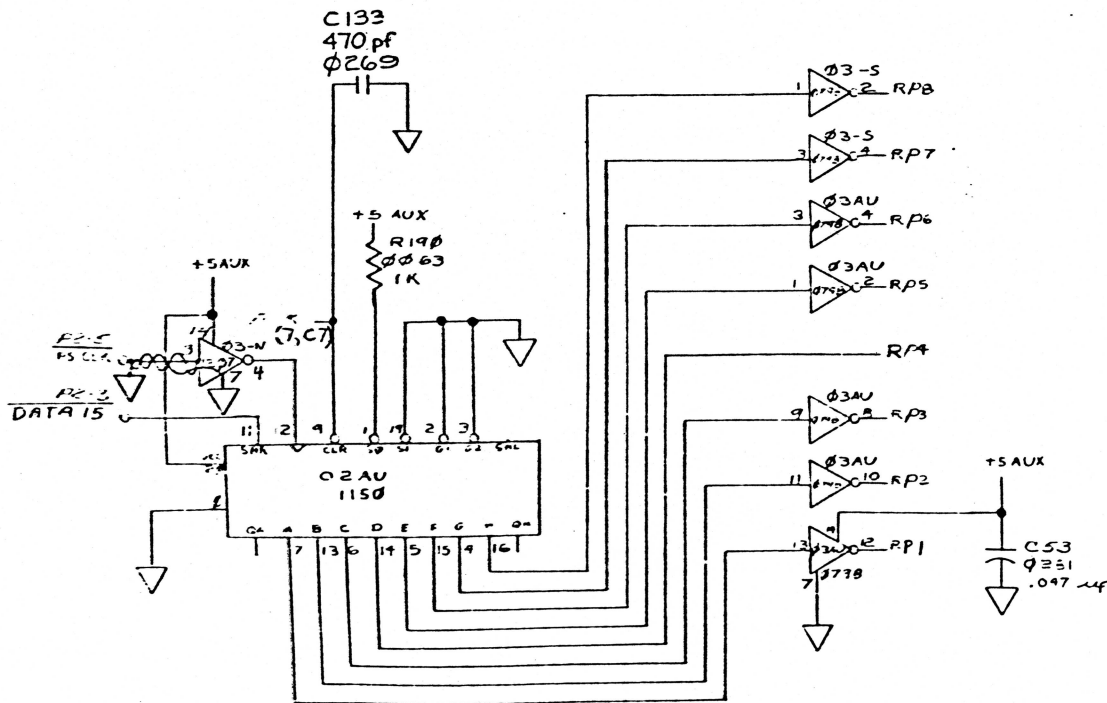
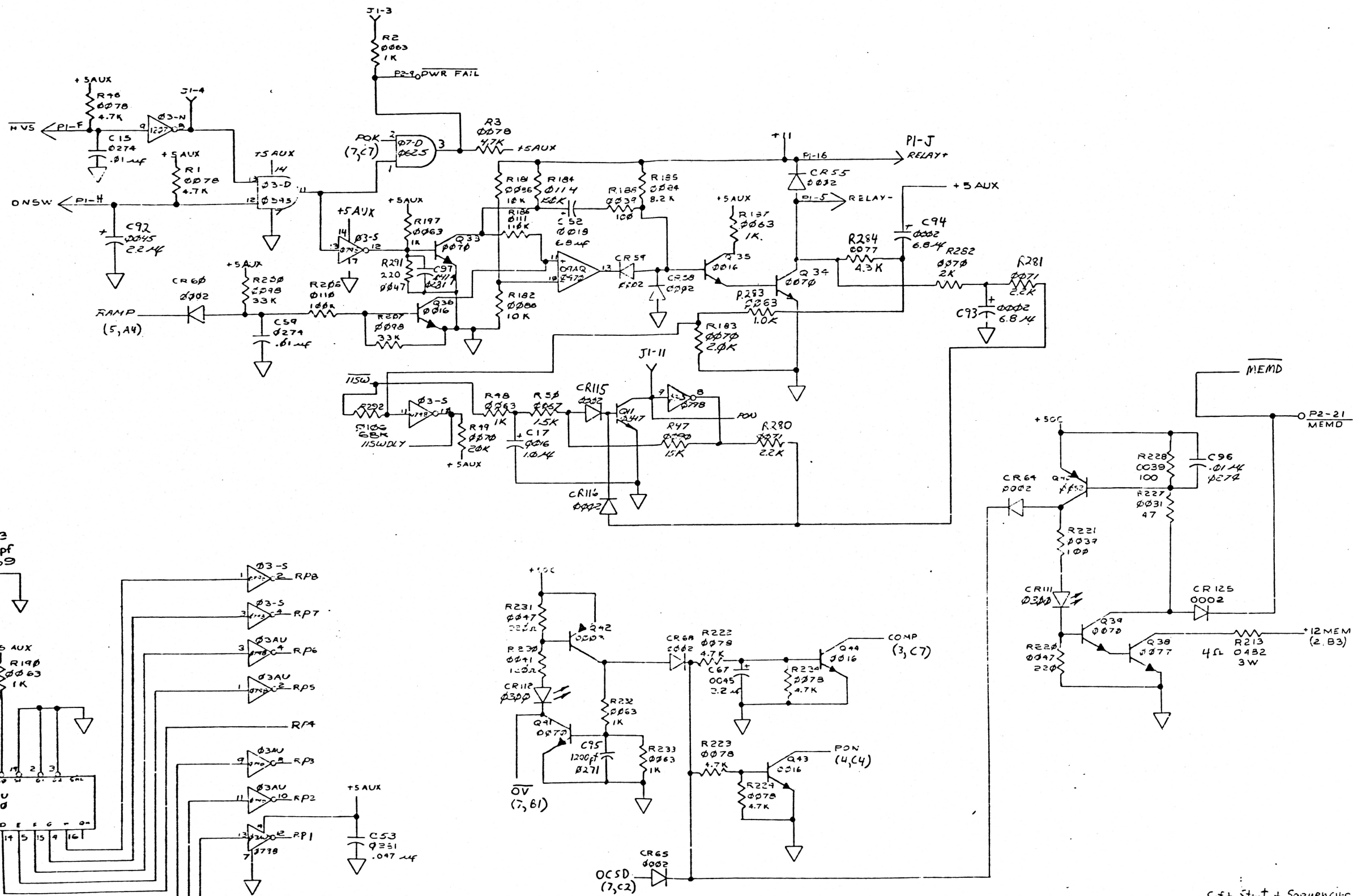
4

3

2

1

REVISIONS				
REV	ECO	DESCRIPTION	CRFTG	APP BY DATE



Soft Start + Sequencing, Remote Provision, Emergency Latching

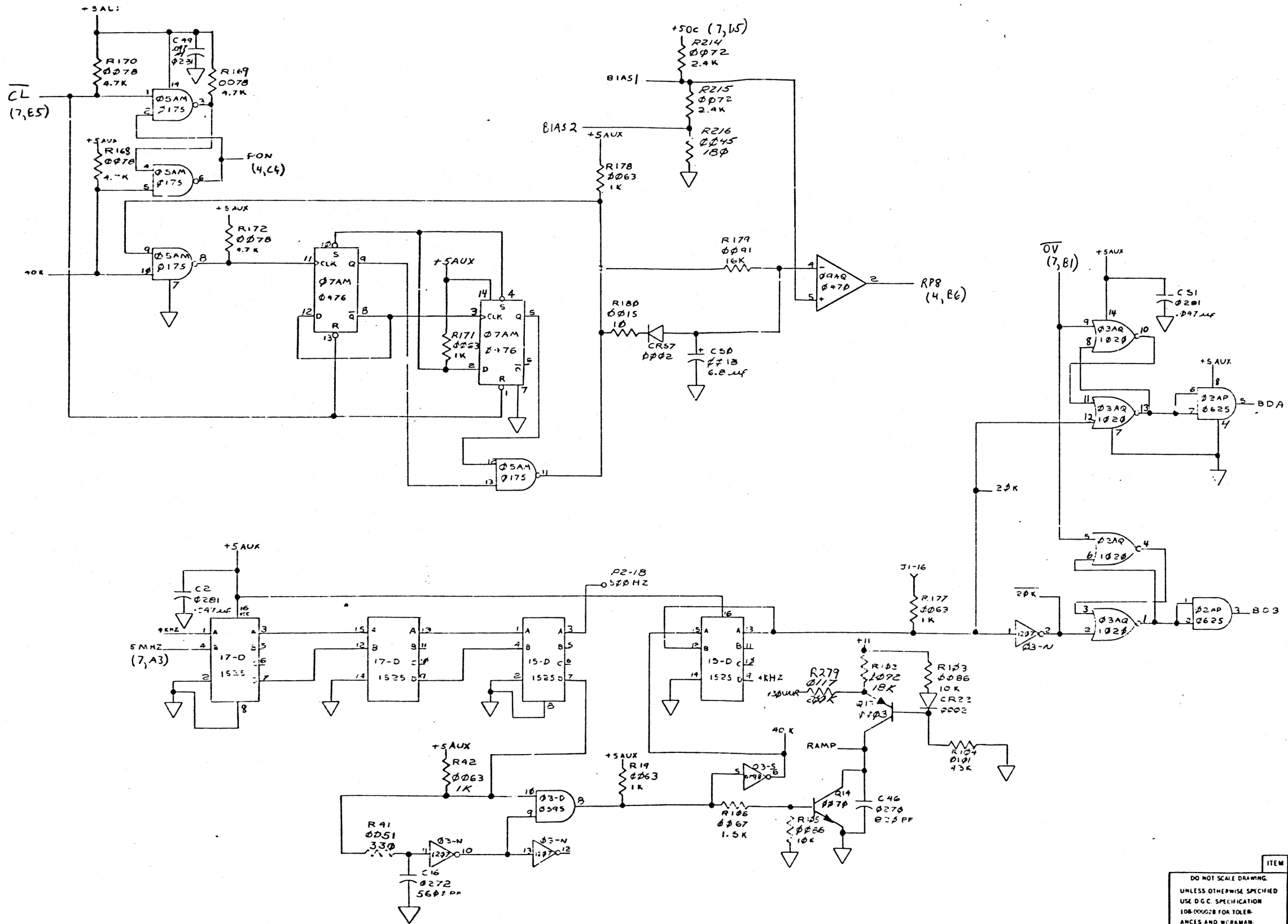
ITEM	QTY	DESCRIPTION	PART NO
DO NOT SCALE DRAWING			
UNLESS OTHERWISE SPECIFIED USE D.C.C. SPECIFICATION 108 000028 FOR TOLERANCES AND WORKMANSHIP REQUIREMENTS			
MATERIAL			
FINISH			
DRAWN			
CHECKED			
ENGINEER			
APPROVED			
FIRST USED ON			
SCALE	CODE IDENT	SIZE	CODE
	34984	D	
DRAWING NUMBER			REV
1001001524			13

DATA GENERAL CORPORATION
SOUTHBORO, MASS. 01772

TITLE
NOVA 4
POWER SUPPLY
PCB

1 SHEET 4 OF 9

REVISIONS			
REV	DESCRIPTION	DAFTG	APP BY DATE

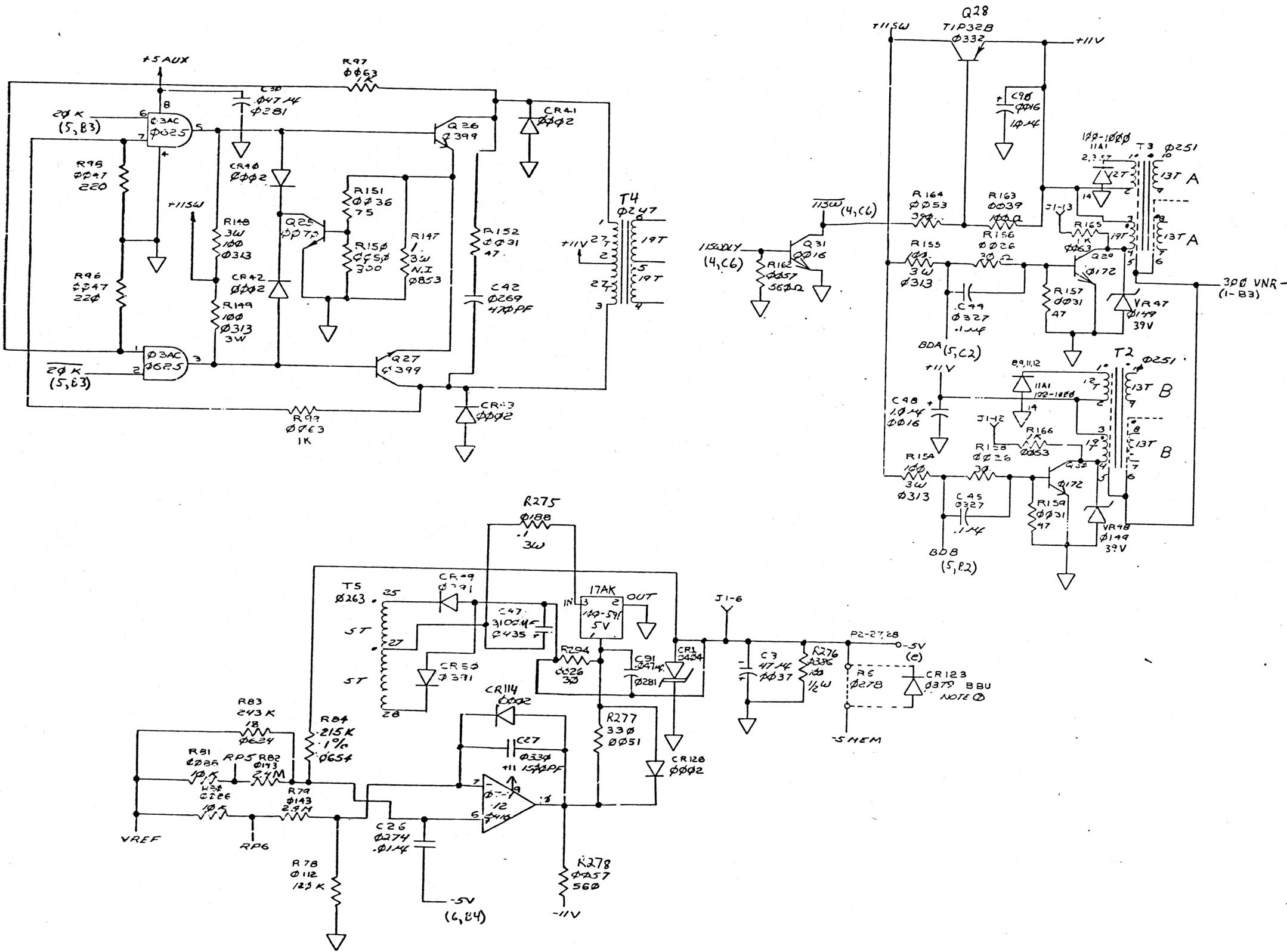


Secondary Clock Dividers, Overcurrent Counter

ITEM	QTY	DESCRIPTION	PART NO.
DO NOT SCALE DRAWING UNLESS OTHERWISE SPECIFIED USE D.C.C. SPECIFICATION 108-000028 FOR TOLERANCES AND WORKMANSHIP REQUIREMENTS			
DRAWN		DATA GENERAL CORPORATION SOUTHBORO, MASS. 01772	
CHECKED		TITLE	
ENGINEER		NOVA 4 POWER SUPPLY PCB	
APPROVED		DRAWING NUMBER	
FIRST USED		34984 D	
SCALE		SIZE	
CODE		DRAWING NUMBER	
CODE		34984 D	
CODE		DRAWING NUMBER	
CODE		000101524	
CODE		1/5	
SHEET 5 OF 8			

THIS DRAWING AND SPECIFICATIONS HEREBY ARE THE PROPERTY OF DATA GENERAL CORPORATION AND SHALL NOT BE REPRODUCED OR TRANSMITTED IN ANY FORM OR BY ANY MEANS, ELECTRONIC OR MECHANICAL, INCLUDING PHOTOCOPYING, RECORDING, OR BY ANY INFORMATION STORAGE AND RETRIEVAL SYSTEM, WITHOUT THE WRITTEN PERMISSION OF DATA GENERAL CORPORATION.

REVISIONS				
REV	DESCRIPTION	DRFTG	APP BY	DATE

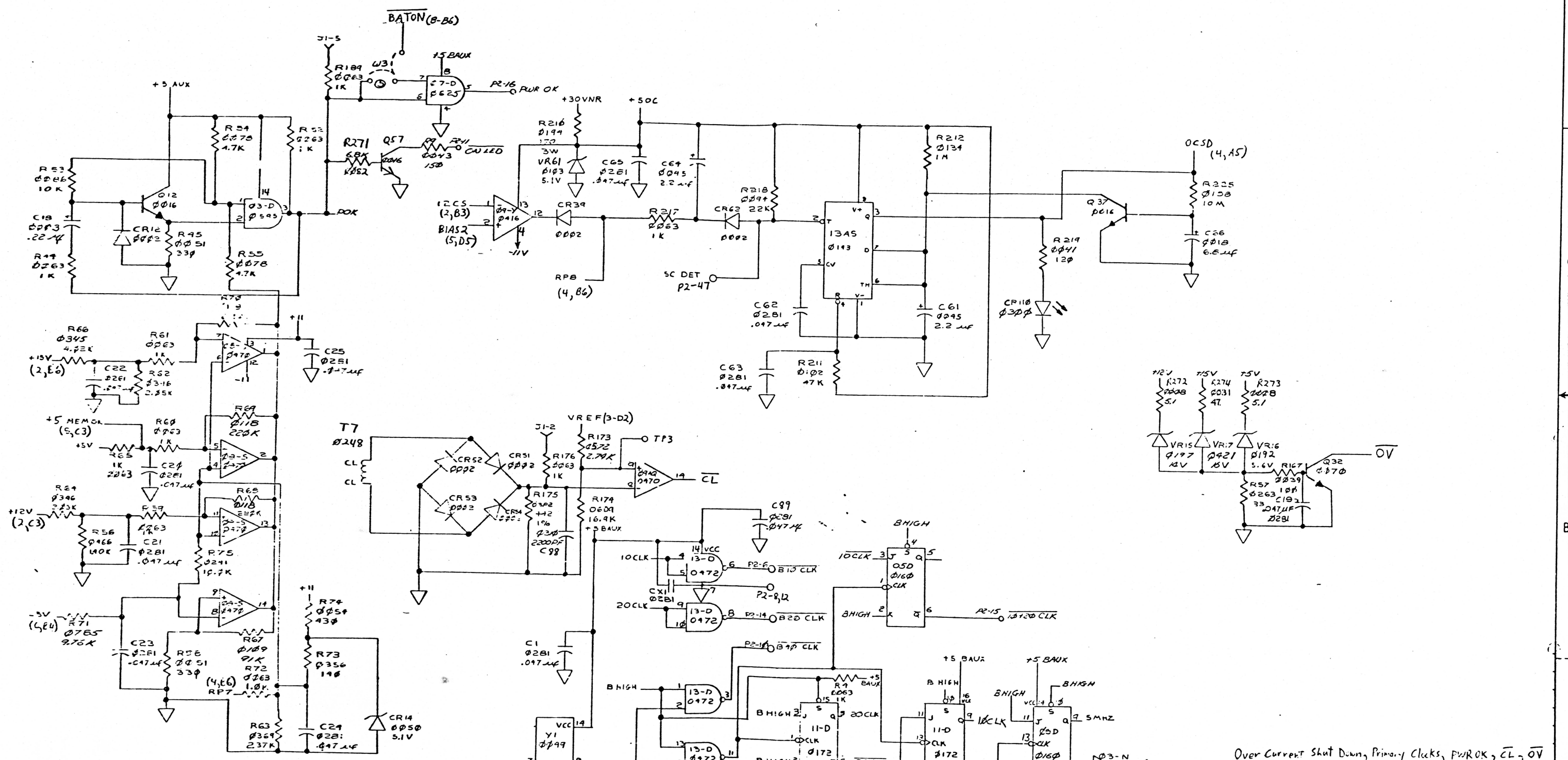


Base Drivers (Primary side), -5 Volt Output

ITEM	QTY.	DESCRIPTION	PART NO.
DO NOT SCALE DRAWING UNLESS OTHERWISE SPECIFIED USE D.G.C. SPECIFICATION 100-00028 FOR TOLERANCES AND WORKMANSHIP REQUIREMENTS			
DRAWN <i>Mark Rutala</i> 5/11/78		DATA GENERAL CORPORATION SOUTHBORO, MASS. 01772	
CHECKED <i>[Signature]</i> 9/1/78		TITLE NOVA 4 POWER SUPPLY PCB	
ENGINEER		FIRST USED ON	
APPROVED		SCALE	
MATERIAL		CODE IDENT	SIZE
FINISH		34984	D
		DRAWING NUMBER	RF
		0101524	1/3
SHEET 3 OF 8			

DESIGN AND SPECIFICATIONS HEREIN ARE THE PROPERTY OF DATA GENERAL CORPORATION AND SHALL BE RETURNED TO THE COMPANY OR DELETED FROM ALL COPIES AT THE END OF THE TERM OF THE AGREEMENT OR AS OTHERWISE SPECIFIED BY THE COMPANY.

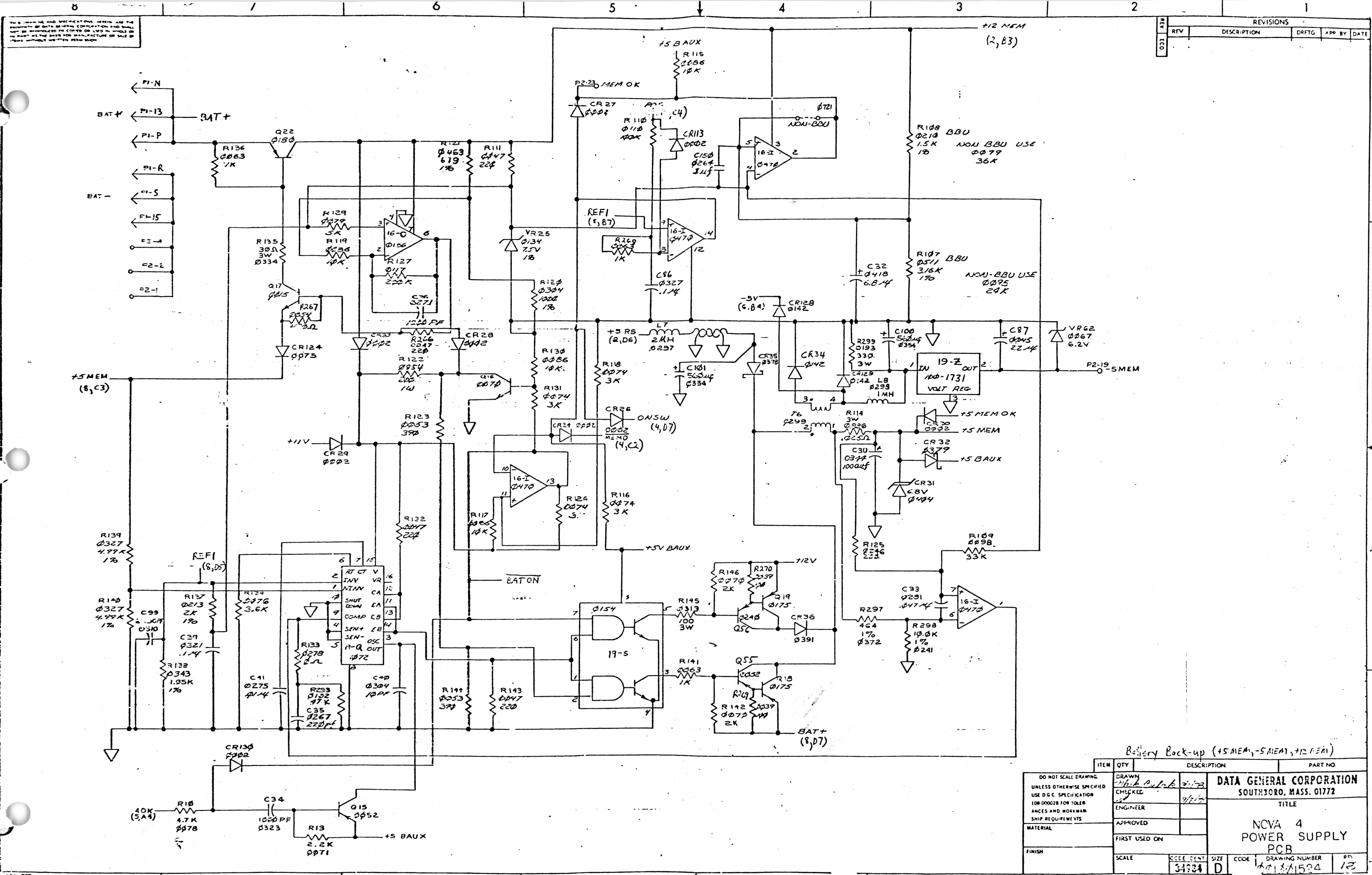
REV	CO.	REVISIONS		
		DESCRIPTION	DATE	BY



Over Current Shut Down, Primary Clocks, PWR OK, CL, OV

ITEM	QTY.	DESCRIPTION	PART NO.

DO NOT SCALE DRAWING UNLESS OTHERWISE SPECIFIED USE D.G.C. SPECIFICATION 100-000028 FOR TOLER- ANCES AND WORKMAN- SHIP REQUIREMENTS	DRAWN: <i>[Signature]</i> CHECKED: <i>[Signature]</i> ENGINEER: <i>[Signature]</i> APPROVED: <i>[Signature]</i> FIRST USED ON: <i>[Blank]</i>	DATA GENERAL CORPORATION SOUTHBORO, MASS. 01772	
MATERIAL		TITLE	
FINISH		NOVA 4 POWER SUPPLY PCB	
SCALE	CCDE IDENT 34984	SIZE D	CODE DRAWING NUMBER 001201524
			RF 13



REVISIONS			
REV	DESCRIPTION	DRFTG	APP BY DATE

Battery Back-up (+5 MEM, -5 MEM, +12 MEM)

ITEM	QTY	DESCRIPTION	PART NO

DATA GENERAL CORPORATION
SOUTH BORO, MASS. 01772

NVA 4
POWER SUPPLY
PCB

DRAWING NUMBER 1524
REV 12