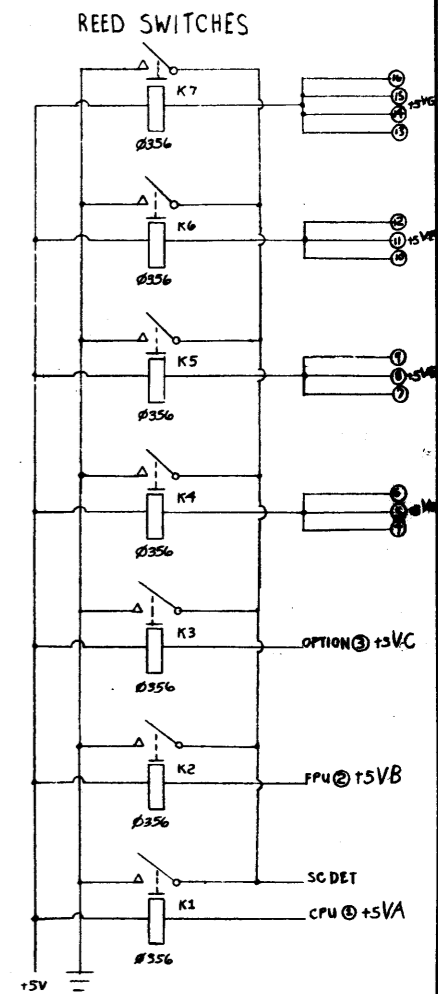
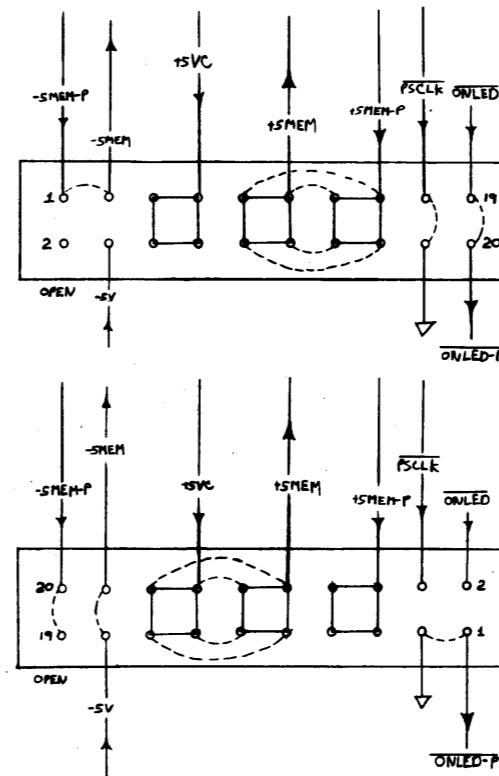
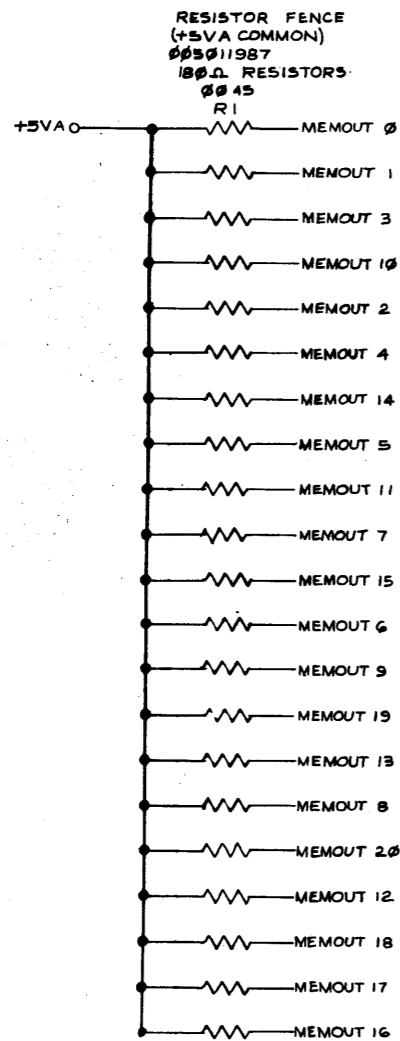


THIS DRAWING AND SPECIFICATIONS, HEREIN, ARE THE PROPERTY OF DATA GENERAL CORPORATION AND SHALL NOT BE REPRODUCED OR COPIED OR USED IN WHOLE OR IN PART AS THE BASIS FOR MANUFACTURE OR SALE OF ITEMS WITHOUT WRITTEN PERMISSION.

REVISIONS				
REV.	DESCRIPTION	DRFTG.	APP. BY	DATE
REV. ECO.				



NOTES:

1. ⓪ DENOTES JUMPER ON PLUG
2. TEST PLUG IS ROTATED 180° TO CONVERT FROM "NORMAL" TO "TEST."
3. ⓪ DENOTES SLOT **
4. ASSEMBLY NO. FOR RELAYS IS 004-000520
5. REED SWITCH CURRENT TRIP AT 22 AMP.

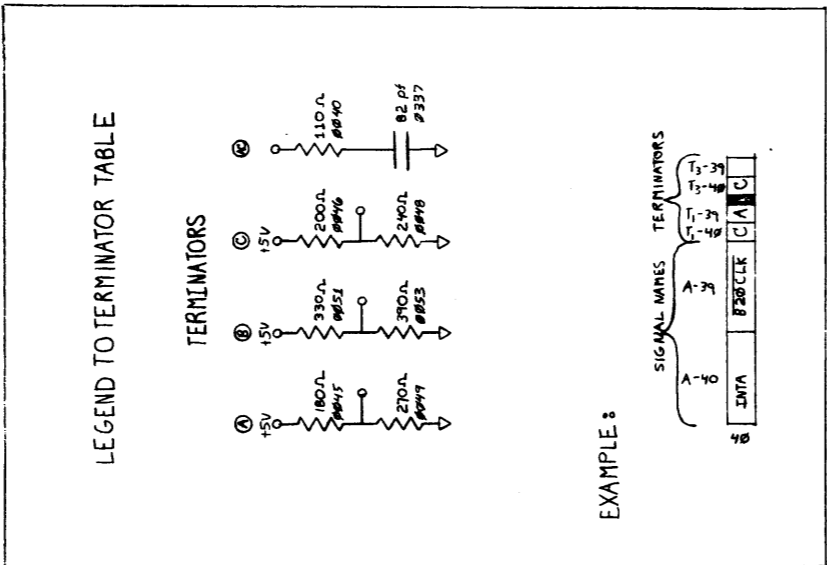
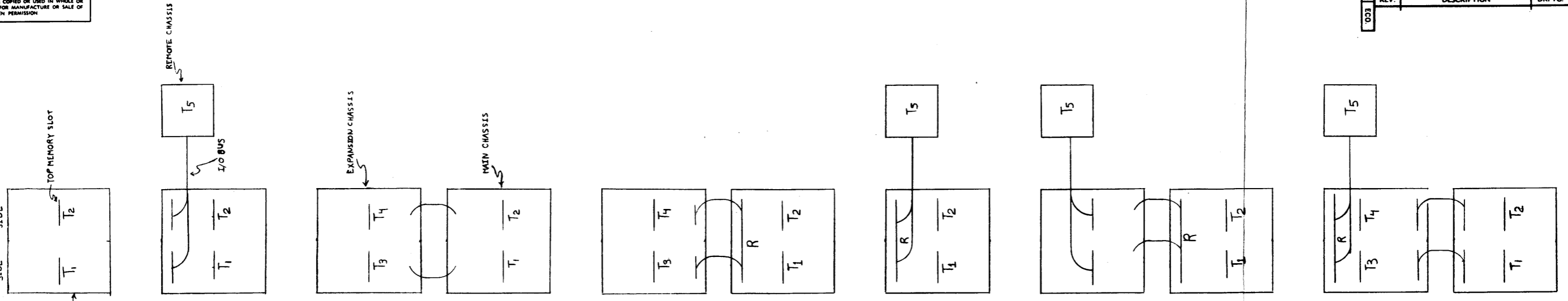
ITEM	QTY.	DESCRIPTION	PART NO.
DO NOT SCALE DRAWING.			
UNLESS OTHERWISE SPECIFIED USE D.G.C. SPECIFICATION 100-000028 FOR TOLERANCES AND WORKMANSHIP REQUIREMENTS			
DRAWN R. CORSI 4/6/78		DATA GENERAL CORPORATION SOUTHBORO, MASS. 01772	
CHECKED E. Dineen 4.01.78			
ENGINEER		TITLE	
APPROVED		DGC BACKPANEL	
FIRST USED ON		REV 02	
SCALE		CODE IDENT. 34984	SIZE D
		CODE 001	DRAWING NUMBER 001563

DRAWING 40536 2011-2

THIS DRAWING AND SPECIFICATIONS HEREIN ARE THE PROPERTY OF DATA GENERAL CORPORATION AND SHALL NOT BE REPRODUCED OR COPIED OR USED IN WHOLE OR IN PART AS THE BASIS FOR MANUFACTURE OR SALE OF ITEMS WITHOUT WRITTEN PERMISSION

REVISIONS				
REV.	DESCRIPTION	DRFTG.	APP. BY	DATE
REV. ECO.				

SYSTEM CONFIGURATION OF TERMINATORS



- NOTES:**
- T1-TERMINATOR A SIDE 005-012418
 - T2-TERMINATOR B SIDE 005-012419
 - T3-TERMINATOR EXPANSION CHASSIS A SIDE 005-013406
 - T4-TERMINATOR EXPANSION CHASSIS B SIDE 005-013407
 - T5-TERMINATOR I/O BUS
 - R-BUS REPEATER

	T1	T2	T3	T4
2	GND	GND		
4	+5V	+5V		
6	-5V	MEMIN 00	A	
8	HSCREQ	MEMOUT 0		
10	+5V	MEMOUT 1		
12	MEMOUT 0	MEMOUT 2		
14	GND	MEMOUT 3		
16	MEMOUT 14	MEMOUT 4		
18	MEMOUT 11	MEMOUT 5		
20	MEMOUT 15	MEMOUT 6		
22	MEMOUT 9	MEMOUT 7		
24	MEMOUT 13	MEMOUT 8		
26	MEMOUT 8	MEMOUT 9		
28	MEMOUT 12	MEMOUT 10		
30	MEMOUT 17	MEMOUT 11		
32	MEMWAIT	MEMOUT 12		
34	GND	MEMOUT 13		
36	B1CLK	MEMOUT 14		
38	PSRO	MEMOUT 15		
40	DATA	MEMOUT 16		
42	DATA	MEMOUT 17		
44	DATA	MEMOUT 18		
46	D33	MEMOUT 19		
48	DATOC	GND		
50	CLR	B1CLK		
52	START	GND		
54	DATIC	DATA		
56	DATOB	DATA		
58	DATOA	DATA		
60	D2A	IR7		
62	D51	IR6		
64	D52	IR5		
66	D53	IR2		
68	IORST	IR1		
70	D5B	FIR3		
72	IOPLS	FIR4		
74	FPCPU	IRB		
76	FPRPH	IR9		
78	F3RPI	IR9		
80	F3RPI	IR9		
82	F3RPI	IR9		
84	F3RPI	IR9		
86	F3RPI	IR9		
88	F3RPI	IR9		
90	F3RPI	IR9		
92	F3RPI	IR9		
94	F3RPI	IR9		
96	F3RPI	IR9		
98	F3RPI	IR9		
100	F3RPI	IR9		

	T1	T2	T3	T4
2	GND	GND		
4	+5V	+5V		
6	MEMIN 00	MEMIN 00	A	
8	MEMIN 18	MEMIN 19	A	
10	MEMIN 16	MEMIN 17	A	
12	MEMIN 10	MEMIN 18	A	
14	MEMIN 0	MEMIN 19	A	
16	MEMIN 2	MEMIN 20	A	
18	MEMIN 3	MEMIN 21	A	
20	MEMIN 7	MEMIN 22	A	
22	MEMIN 6	MEMIN 23	A	
24	MEMIN 5	MEMIN 24	A	
26	MEMIN 4	MEMIN 25	A	
28	MEMIN 8	MEMIN 26	A	
30	MEMIN 9	MEMIN 27	A	
32	MEMIN 10	MEMIN 28	A	
34	DCHO	MEMIN 29	A	
36	DCHR	MEMIN 30	A	
38	DCHI	MEMIN 31	A	
40	GND	MEMIN 32	A	
42	MEMIN 11	MEMIN 33	A	
44	MEMIN 14	MEMIN 34	A	
46	+15V	MEMIN 35	A	
48	CONPL	MEMIN 36	A	
50	GND	MEMIN 37	A	
52	CONRSTL	MEMIN 38	A	
54	CONRSTL	MEMIN 39	A	
56	CONRSTL	MEMIN 40	A	
58	CONRSTL	MEMIN 41	A	
60	CONRSTL	MEMIN 42	A	
62	CONRSTL	MEMIN 43	A	
64	CONRSTL	MEMIN 44	A	
66	CONRSTL	MEMIN 45	A	
68	CONRSTL	MEMIN 46	A	
70	CONRSTL	MEMIN 47	A	
72	CONRSTL	MEMIN 48	A	
74	CONRSTL	MEMIN 49	A	
76	CONRSTL	MEMIN 50	A	
78	CONRSTL	MEMIN 51	A	
80	CONRSTL	MEMIN 52	A	
82	CONRSTL	MEMIN 53	A	
84	CONRSTL	MEMIN 54	A	
86	CONRSTL	MEMIN 55	A	
88	CONRSTL	MEMIN 56	A	
90	CONRSTL	MEMIN 57	A	
92	CONRSTL	MEMIN 58	A	
94	CONRSTL	MEMIN 59	A	
96	CONRSTL	MEMIN 60	A	
98	CONRSTL	MEMIN 61	A	
100	CONRSTL	MEMIN 62	A	

ITEM	QTY.	DESCRIPTION	PART NO.
DO NOT SCALE DRAWING.			
UNLESS OTHERWISE SPECIFIED			
USE D.G.C. SPECIFICATION			
100-00028 FOR TOLERANCES AND WORKMANSHIP REQUIREMENTS			
DRAWN		5/26/76	
CHECKED		A.A.+76	
ENGINEER			
APPROVED			
FIRST USED ON			
SCALE		CODE IDENT.	SIZE
		34984	D 021
		DRAWING NUMBER	REV.
		001563	02

DATA GENERAL CORPORATION
SOUTHBORO, MASS. 01772

TITLE
DGC MACHINE BACKPANEL