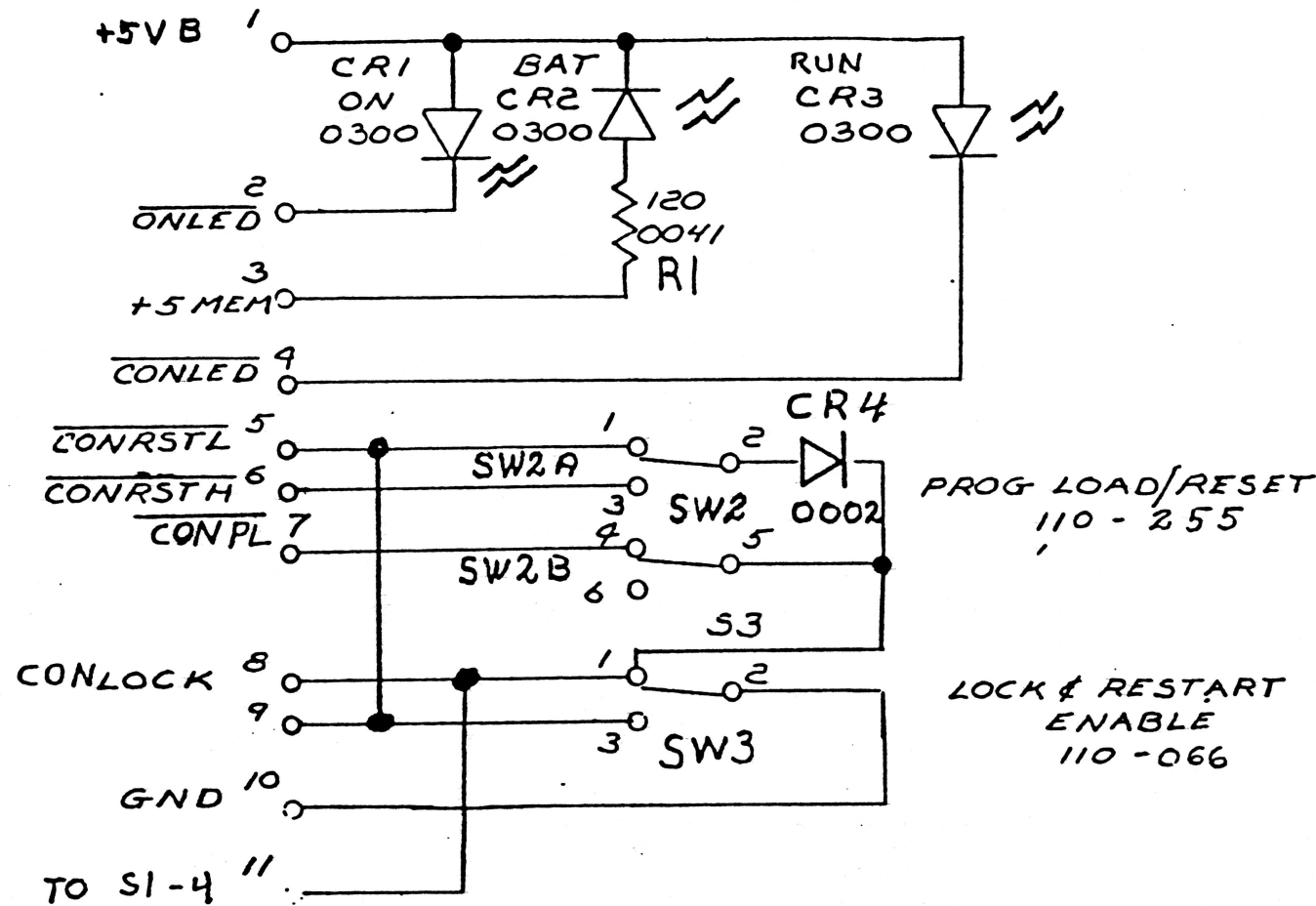


THIS DRAWING AND SPECIFICATIONS, HEREIN, ARE THE PROPERTY OF DATA GENERAL CORPORATION AND SHALL NOT BE REPRODUCED OR COPIED OR USED IN WHOLE OR IN PART AS THE BASIS FOR MANUFACTURE OR SALE OF ITEMS WITHOUT WRITTEN PERMISSION

REVISIONS				
REV.	DESCRIPTION	DRFTG.	APP. BY	DATE
00	RLSD PER ECC E553			10-13-78



NOTES:

- 1) SW2 SHOWN IN NEUTRAL POSITION
SW2 A SWITCHES FOR RESET
SW2 B SWITCHES FOR PROG LOAD
- 2) SW3 SHOWN IN THE NOT LOCKED POSITION

BRUNING 40-526 20411-4

013000836-00

ITEM	QTY.	DESCRIPTION	PART NO.
DO NOT SCALE DRAWING. UNLESS OTHERWISE SPECIFIED USE D.G.C. SPECIFICATION 108-000028 FOR TOLER- ANCES AND WORKMAN- SHIP REQUIREMENTS		DRAWN <i>Mark Bulak</i> 4-20-78	DATA GENERAL CORPORATION SOUTHBORO, MASS. 01772
MATERIAL		CHECKED	
FINISH		ENGINEER	TITLE
		APPROVED <i>V. J. Penn</i> 9-25-78	FRONT PANEL PCB
		FIRST USED ON 005012078	DGC MACHINE (NOVA 4)
		SCALE	CODE IDENT.
			34984
		SIZE	CODE
		B	001
		DRAWING NUMBER	001585
		REV.	00

SHEET 1 OF 1

53