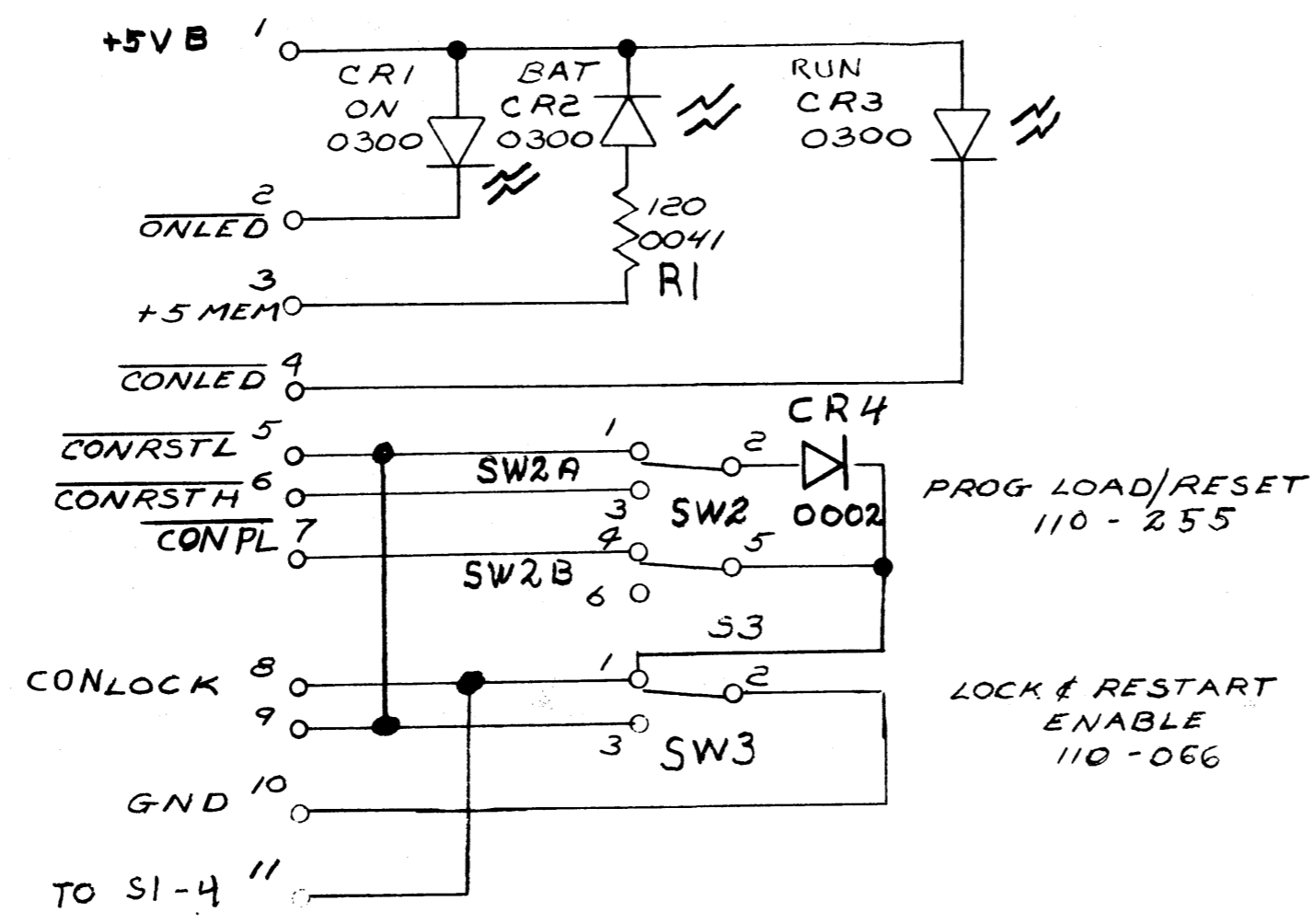


THIS DRAWING AND SPECIFICATIONS, HEREIN, ARE THE PROPERTY OF DATA GENERAL CORPORATION AND SHALL NOT BE REPRODUCED OR COPIED OR USED IN WHOLE OR IN PART AS THE BASIS FOR MANUFACTURE OR SALE OF ITEMS WITHOUT WRITTEN PERMISSION.

REVISIONS				
REV.	DESCRIPTION	DRFTG.	APP. BY	DATE
00	RLSD PER ECO E553			10-13-78



NOTES:
 1) SW2 SHOWN IN NEUTRAL POSITION
 SW2 A SWITCHES FOR RESET
 SW2 B SWITCHES FOR PROG LOAD
 2) SW3 SHOWN IN THE NOT LOCKED POSITION

ITEM	QTY.	DESCRIPTION	PART NO.
DO NOT SCALE DRAWING. UNLESS OTHERWISE SPECIFIED USE D.G.C. SPECIFICATION 108-000028 FOR TOLERANCES AND WORKMANSHIP REQUIREMENTS		DRAWN <i>Mark Butak</i> 4-20-78	DATA GENERAL CORPORATION SOUTHBORO, MASS. 01772
MATERIAL		CHECKED	
FINISH		ENGINEER	TITLE
		APPROVED <i>V. Lenn</i> 9-25-78	FRONT PANEL PCB DGC MACHINE
		FIRST USED ON 005012078	
		SCALE	SIZE
		CODE IDENT. 34984	CODE 001
			DRAWING NUMBER 001585
			REV. 00

DRAWING 40-526 20411-4