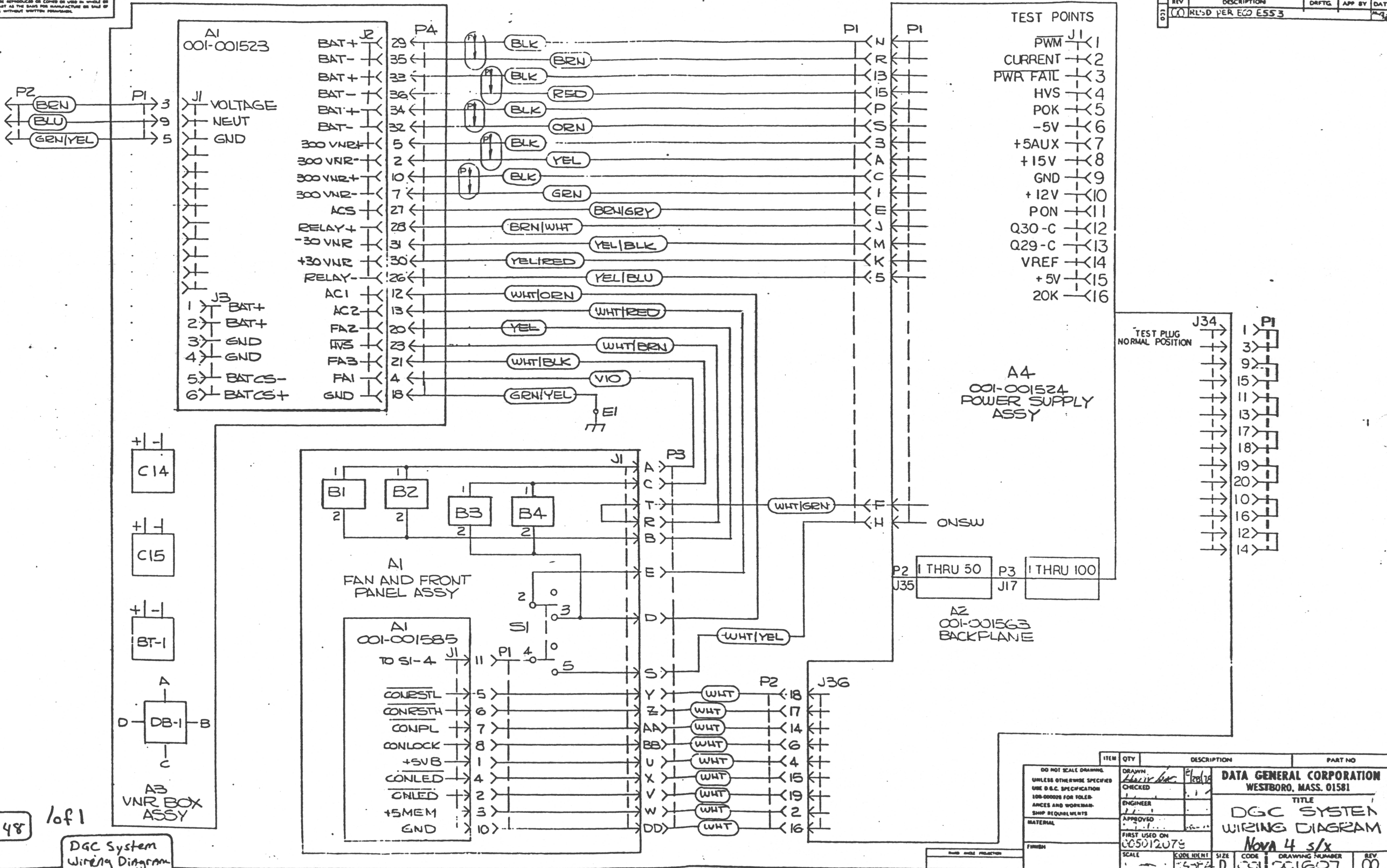


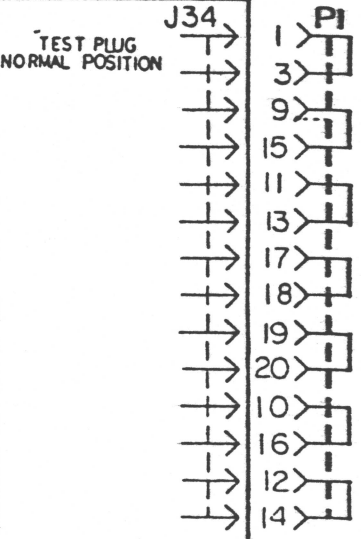
THIS DRAWING AND SPECIFICATIONS, HEREIN, ARE THE PROPERTY OF DATA GENERAL CORPORATION AND SHALL NOT BE REPRODUCED OR COPIED OR USED IN WHOLE OR IN PART AS THE BASIS FOR MANUFACTURE OR SALE OF ITEMS WITHOUT WRITTEN PERMISSION.

REVISIONS				
REV	DESCRIPTION	DRFTG	APP BY	DATE
001	REVISED PER ECO E553			1/24



TEST POINTS

PWM	J1	1
CURRENT	2	2
PWR FAIL	3	3
HVS	4	4
POK	5	5
-5V	6	6
+5AUX	7	7
+15V	8	8
GND	9	9
+12V	10	10
PON	11	11
Q30-C	12	12
Q29-C	13	13
VREF	14	14
+5V	15	15
20K	16	16



ITEM	QTY	DESCRIPTION	PART NO
DO NOT SCALE DRAWING. UNLESS OTHERWISE SPECIFIED USE D.G.C. SPECIFICATION 100-00000 FOR TOLERANCES AND WORKMANSHIP REQUIREMENTS.			
DRAWN			
CHECKED			
ENGINEER			
APPROVED			
MATERIAL			
FINISH			
FIRST USED ON			
SCALE			
CODE IDENT			
SIZE			
CODE			
DRAWING NUMBER			
REV			

DATA GENERAL CORPORATION
WESTBORO, MASS. 01581
TITLE
DGC SYSTEM
WIRING DIAGRAM
NOVA 4 s/x
001001607 00

548 / of 1
DGC System
Wiring Diagram
(NOVA 4 s/x)
001001607 00