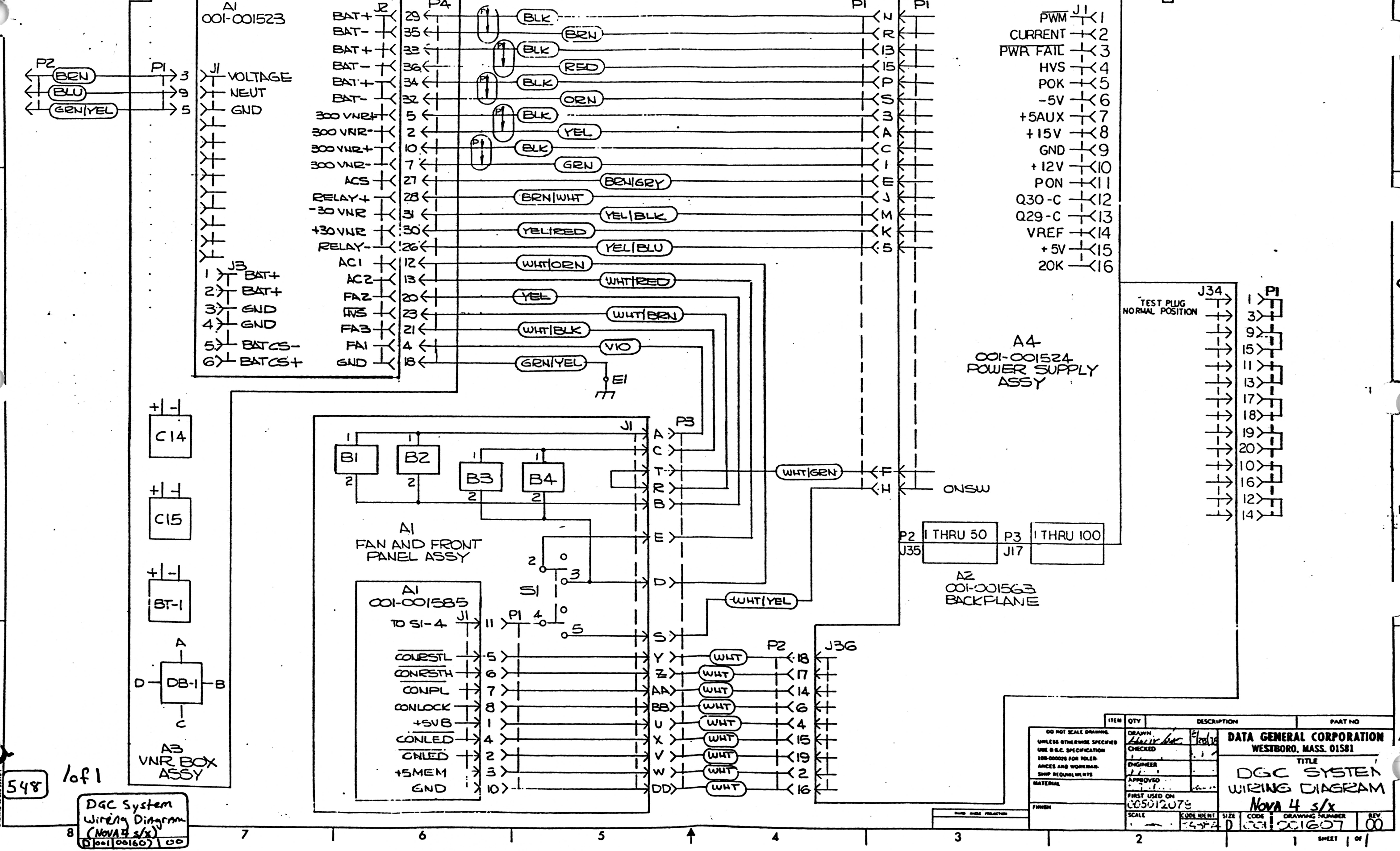


THIS DRAWING AND SPECIFICATION, HEREIN, ARE THE PROPERTY OF DATA GENERAL CORPORATION AND SHALL NOT BE REPRODUCED OR COPIED IN WHOLE OR IN PART AS THE BASIS FOR MANUFACTURE OR SALE OF ITEMS WITHOUT WRITTEN PERMISSION.

REVISIONS				
REV	DESCRIPTION	DRAFTG	APP BY	DATE
001	REVISED PER ECO ESS 3			



548 1 of 1

DGC System  
Wiring Diagram  
(NOVA 4 s/x)  
001001607 00

ITEM	QTY	DESCRIPTION	PART NO
DO NOT SCALE DRAWING			
UNLESS OTHERWISE SPECIFIED			
USE D.G.C. SPECIFICATION			
100-00000 FOR TOLERANCES AND WORKMANSHIP REQUIREMENTS			
MATERIAL			
FINISH			
DRAWN: <i>[Signature]</i> 2/10/78			
CHECKED: <i>[Signature]</i>			
ENGINEER: <i>[Signature]</i>			
APPROVED: <i>[Signature]</i>			
FIRST USED ON: 005012078			
SCALE: 1:1	CODE: 4-2-78	SIZE: D	CODE: 001001607
DATA GENERAL CORPORATION WESTBORO, MASS. 01581			
TITLE: DGC SYSTEM WIRING DIAGRAM			
NOVA 4 s/x			
REV: 00	DRAWING NUMBER: 001001607	REV: 00	SHEET 1 OF 1