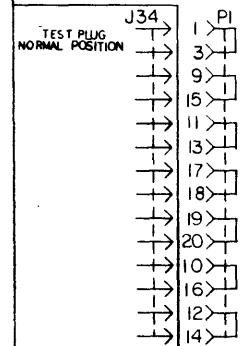
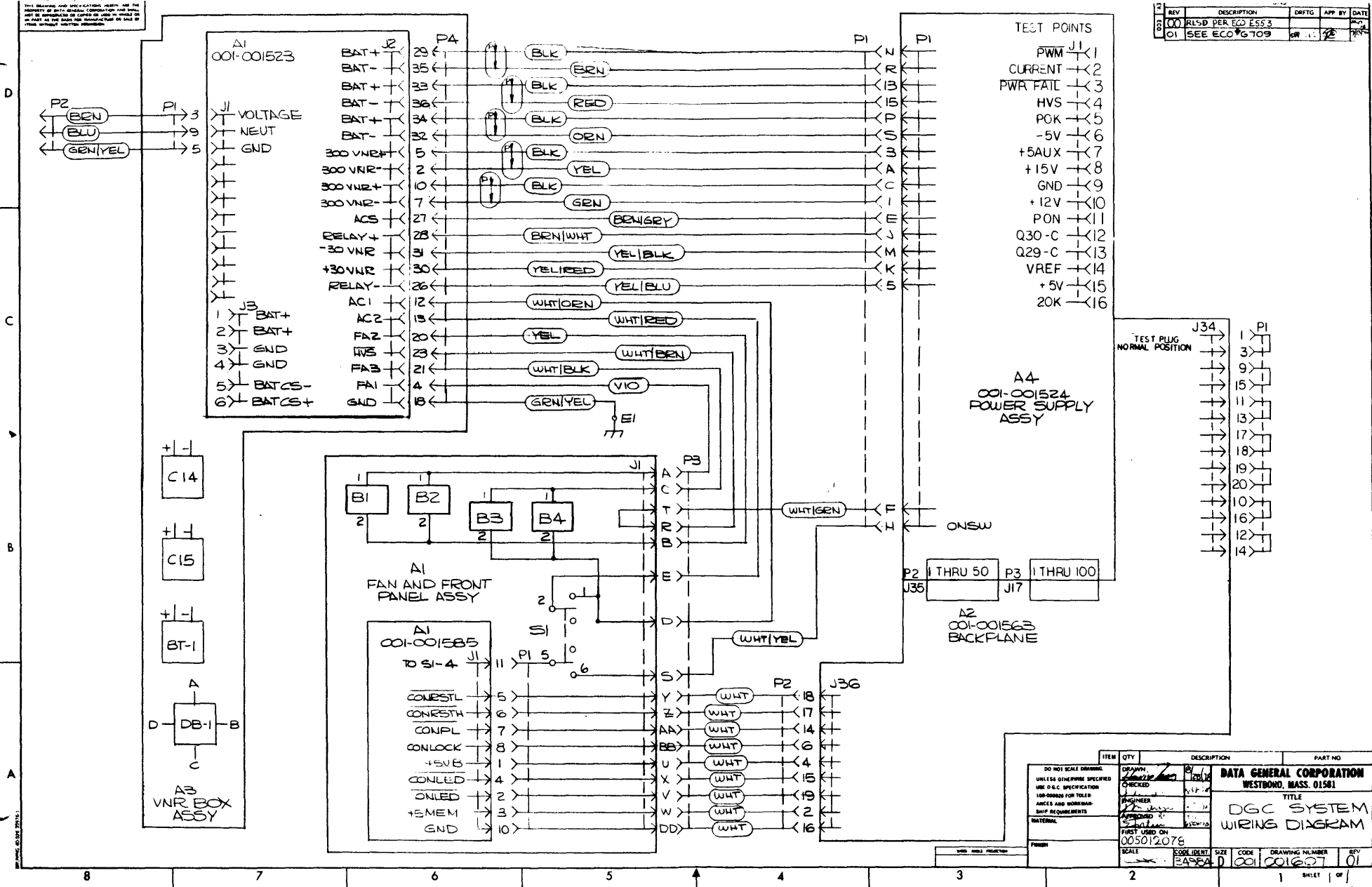


THIS DRAWING AND SPECIFICATION HEREBY ARE THE PROPERTY OF DATA GENERAL CORPORATION AND SHALL REMAIN THE PROPERTY OF DATA GENERAL CORPORATION IN WHOLE OR IN PART AS LONG AS THE MANUFACTURER USES THIS DRAWING WITHOUT WRITTEN PERMISSION.

REV	DESCRIPTION	DRFTG	APP BY	DATE
00	RLSD PER ECO E55 3			
01	SEE ECO 709			



TEST POINTS

PWM	1
CURRENT	2
PWR FAIL	3
HVS	4
POK	5
-5V	6
+5AUX	7
+15V	8
GND	9
+12V	10
PON	11
Q30-C	12
Q29-C	13
VREF	14
+5V	15
20K	16

A4  
001-001524  
POWER SUPPLY  
ASSY

A2  
001-001563  
BACKPLANE

ITEM	QTY	DESCRIPTION	PART NO
DO NOT SCALE DRAWING			
UNLESS OTHERWISE SPECIFIED			
USE D & C SPECIFICATION			
TOLERANCES FOR TOLERANCES			
FINISHES AND WORKMANSHIP			
SHIP REQUIREMENTS			
MATERIAL			
FIRST USED ON			
005012078			
SCALE			
SCALE			
EQUIVALENT			
SIZE			
CODE			
DRAWING NUMBER			
001001607			
REV			
01			

DATA GENERAL CORPORATION  
WESTBORD, MASS. 01581

TITLE  
DGC SYSTEM  
WIRING DIAGRAM