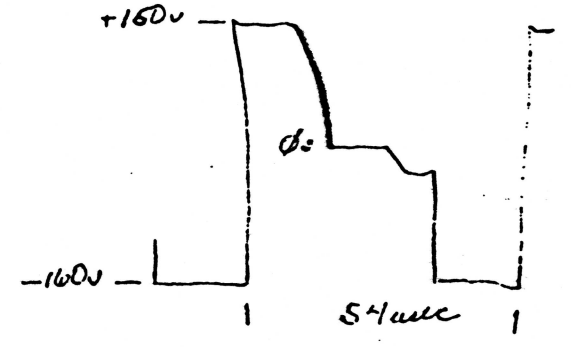


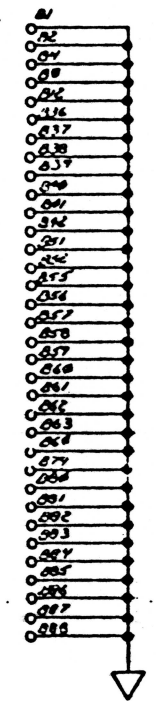
THE DRAWING AND SPECIFICATION HEREIN ARE THE PROPERTY OF DATA GENERAL CORPORATION AND SHALL BE KEPT IN CONFIDENTIALITY AND NOT TO BE REPRODUCED OR TRANSMITTED IN ANY FORM OR BY ANY MEANS, ELECTRONIC OR MECHANICAL, INCLUDING PHOTOCOPYING, RECORDING, OR BY ANY INFORMATION STORAGE AND RETRIEVAL SYSTEM.

REVISIONS				
REV	DESCRIPTION	DATE	APP BY	CHK BY
00	R1: C PER ECOT 19			

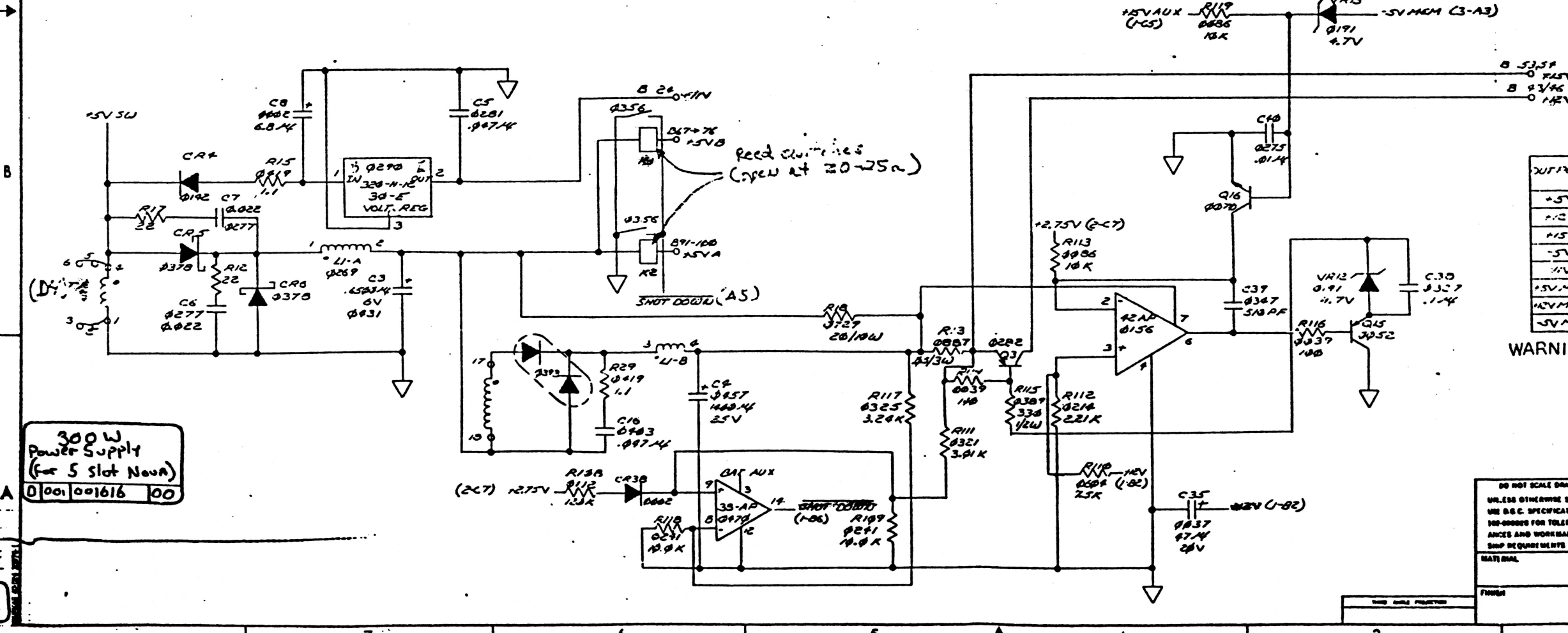
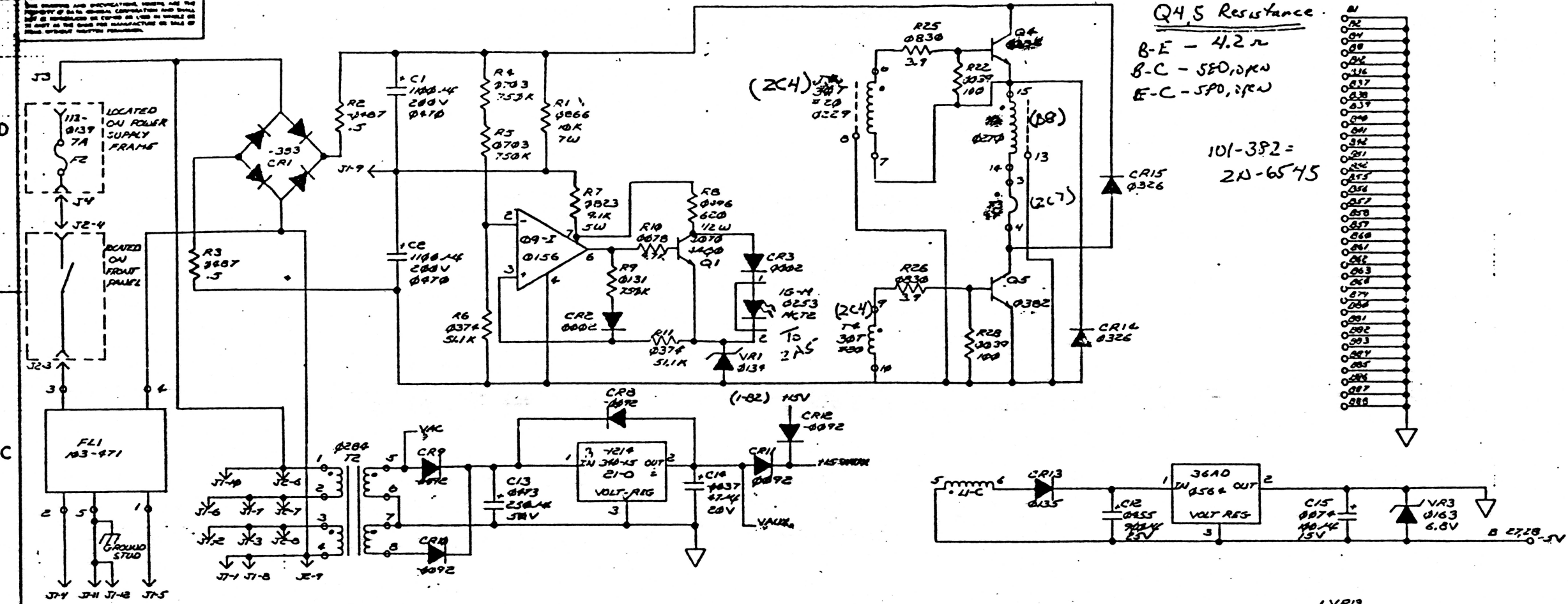
Collector Q5



Q4,5 Resistance
 B-E - 4.2Ω
 B-C - 500,000Ω
 E-C - 500,000Ω
 101-382 = 2A-6545



NOTES:
 1) R1, R2, R3 NOT INSTALLED WHEN BATTERY BACKUP OPTION IS INSTALLED (Q4C)
 2) C1, C2 ARE A MATCHED PAIR



OUTPUT	VOLTAGE		CURRENT	
	MIN.	MAX.	MIN.	MAX.
+5V	4.95V	5.2	5A	35A
+12V	11.7V	12.7V	0	5A
+15V	14.0V	16.0V	0	2.5A
-5V	-4.75V	-5.25V	0	2.5A
+11V	11.0V	12.5V	0	-0.25A
+15V MEM	14.75V	16.25V	0	1A
+12V MEM	11.3V	12.7V	0	-2A
-5V MEM	4.75V	5.25V	0	-1A

2.5A MAX TOTAL

WARNING: - HAZARDOUS VOLTAGES EXIST ON THIS UNIT. SERVICE MUST BE PERFORMED BY QUALIFIED PERSONNEL.

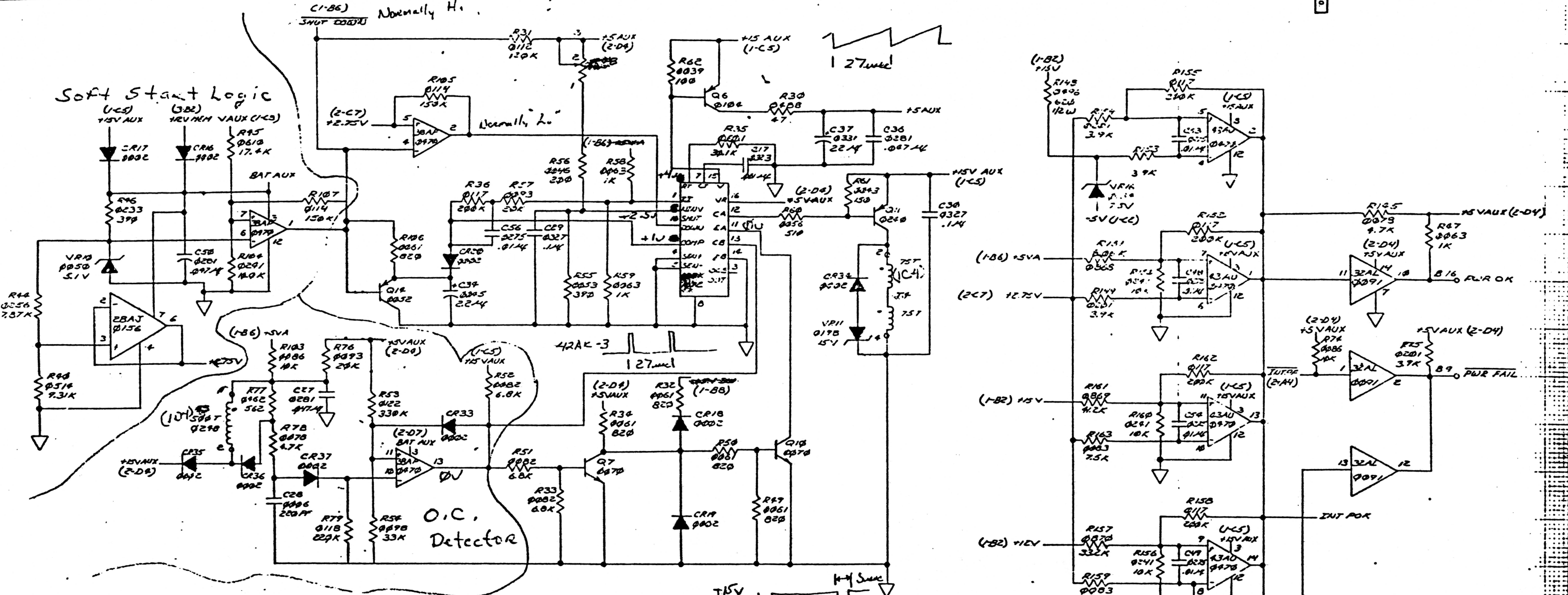
ITEM	QTY	DESCRIPTION	PART NO.
DO NOT SCALE DRAWING UNLESS OTHERWISE SPECIFIED USE D.G.C. SPECIFICATION FOR DIMENSIONS AND WORKMANSHIP REQUIREMENTS			
DRAWN		11-7	28
CHECKED			
ENGINEER			
APPROVED		1-77	
FIRST USED ON		05-21-75	
SCALE		CODE IDENT	SIZE
C10			D 101
DRAWING NUMBER		001616	
SHEET		1 OF 3	

DATA GENERAL CORPORATION
 WESTBORO, MASS. 01581
 TITLE
 300W
 POWER SUPPLY
 (For 5 Slot Nova 4 all)

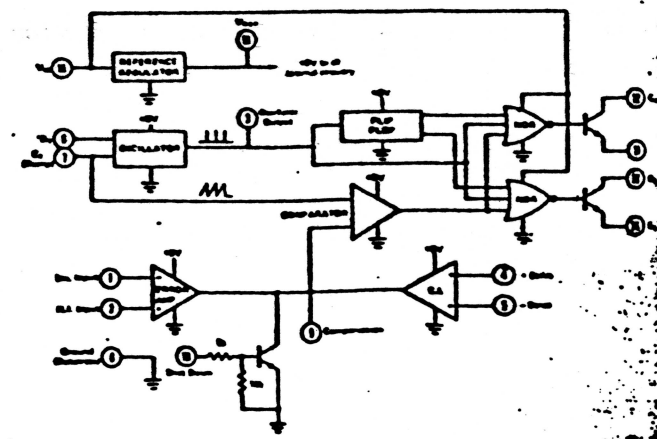
THE DRAWING AND SPECIFICATIONS, HEREON, ARE THE PROPERTY OF DATA GENERAL CORPORATION AND SHALL BE KEPT IN CONFIDENCE BY YOU TO THE EXTENT OF YOUR OBLIGATION TO THE MANUFACTURER OF SUCH OF THIS WITHOUT WRITTEN PERMISSION.

REVISIONS			
REV	DESCRIPTION	DATE	APP. BY
001			
002			

42AK-7

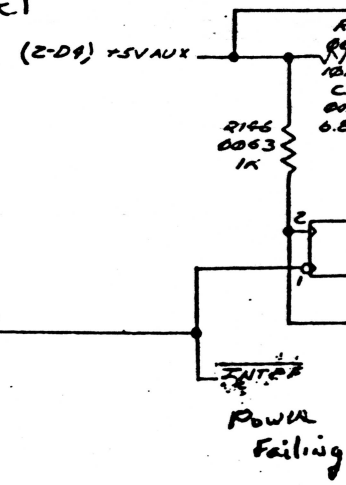
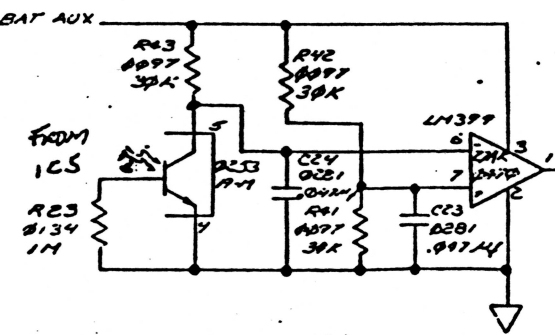


BLOCK DIAGRAM



42AK (100-1072)

(2-07) BAT AUX



ITEM	QTY	DESCRIPTION	PART NO.
DO NOT SCALE DRAWING UNLESS OTHERWISE SPECIFIED USE D.I.C. SPECIFICATION AND WORKMANSHIP REQUIREMENTS			
DRAWN	AB	11-9	70
CHECKED			
ENGINEER			
APPROVED			
FIRST USED ON			
SCALE		CODE IDENT	SIZE
DRAWING NUMBER		001616	
SHEET		2 OF 3	

DATA GENERAL CORPORATION
WESTBORO, MASS. 01581
TITLE
300W
POWER SUPPLY

52

8

7

6

5

4

3

2

1

SHEET 2 OF 3

