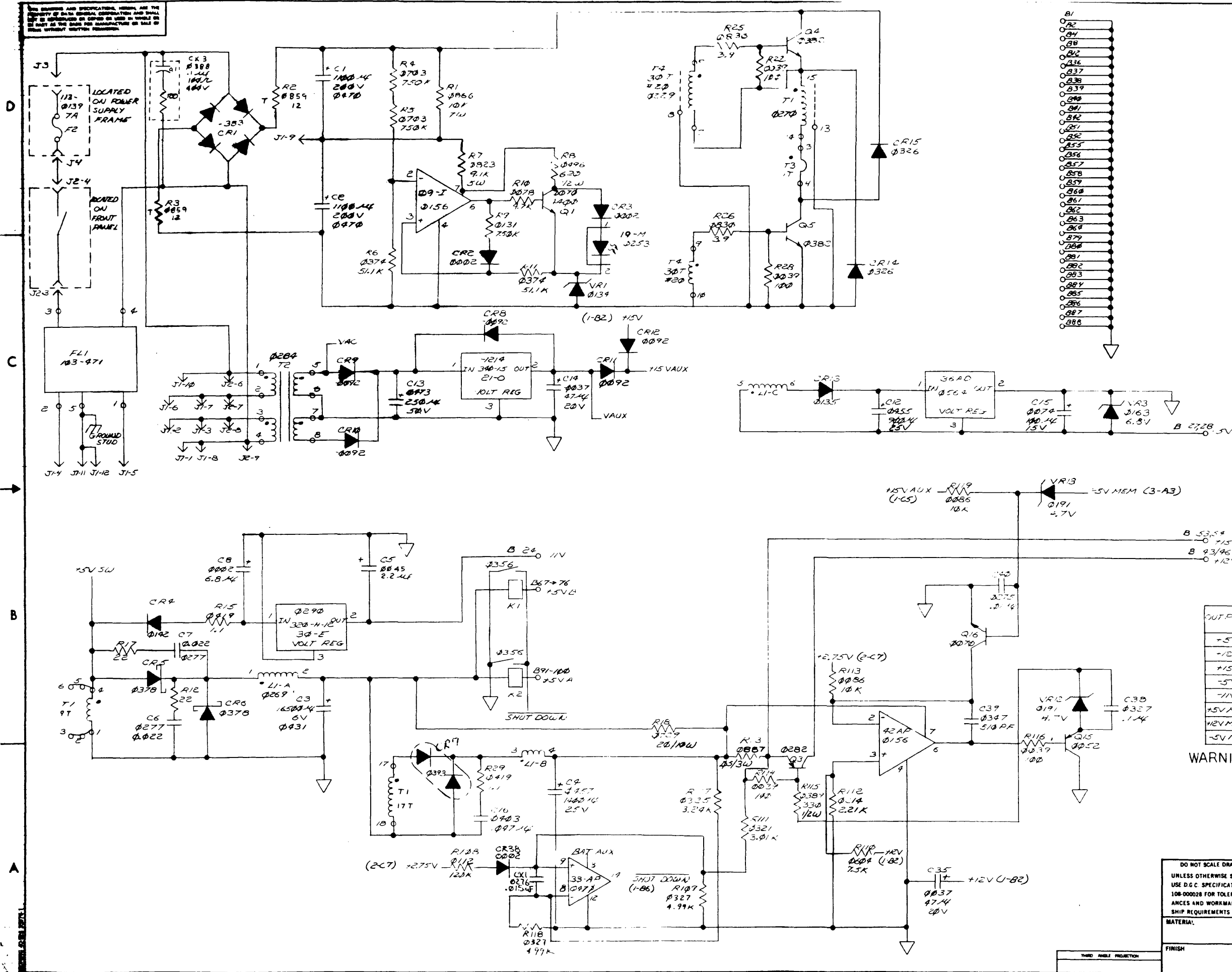


THIS DRAWING AND SPECIFICATION, HEREIN, ARE THE PROPERTY OF DATA GENERAL CORPORATION AND SHALL NOT BE REPRODUCED OR COPIED IN WHOLE OR IN PART AS THE BASIS FOR MANUFACTURE OR SALE OF THIS WITHOUT WRITTEN PERMISSION.

REVISIONS				
REV	DESCRIPTION	DRFTG	APP BY	DATE
01	PER ECO FB41	FSN		



- NOTES:
- 1) R19, R20, R21 NOT INSTALLED WHEN BATTERY BACKUP OPTION IS INSTALLED.
 - 2) C1+C2 ARE A MATCHED PAIR.
 - 3) SET R142 FOR BATT = 7.05 VOLTS WHEN BATTERY IS CHARGED.
 - 4) SET R48 FOR +5VA = 5.15V AT POWER SUPPLY EDGE CONNECTOR

OUTPUT	VOLTAGE		CURRENT	
	MIN.	MAX.	TYP.	MAX.
+5V	4.95V	5.2	5A	35A
+12V	11.7V	12.7V	?	5A
+15V	14.0V	16.0V	?	1.5A
-5V	4.75V	5.25V	?	1.5A
-12V	11.0V	12.5V	?	0.25A
+15V MEM	4.95V	5.2V	?	1A
+12V MEM	11.3V	12.7V	?	0.3A
-5V MEM	4.75V	5.25V	?	0.25A

5A MAX TOTAL

WARNING:—HAZARDOUS VOLTAGES EXIST ON THIS UNIT. SERVICE MUST BE PERFORMED BY QUALIFIED PERSONNEL.

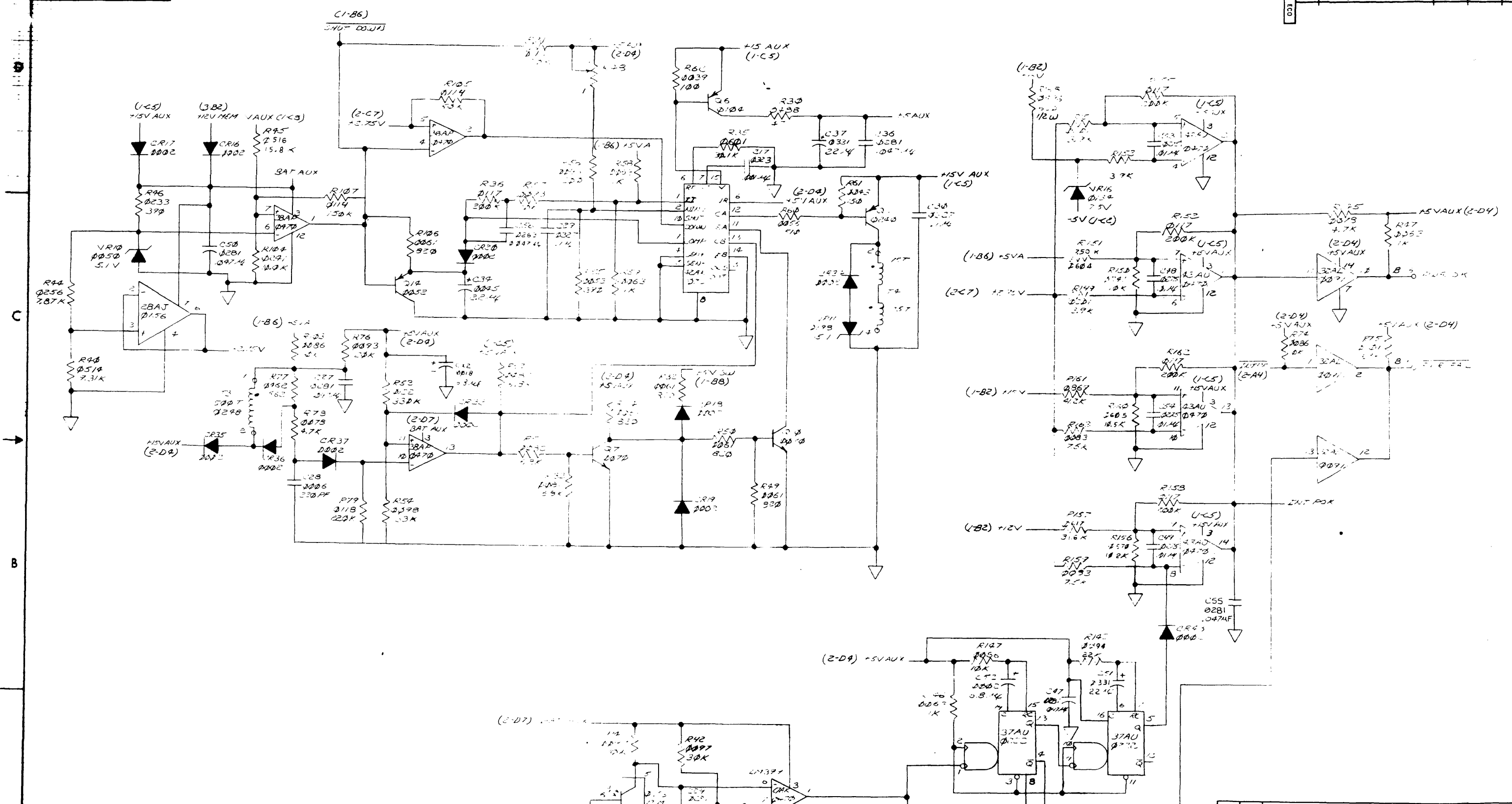
ITEM	QTY	DESCRIPTION	PART NO
DO NOT SCALE DRAWING			
DRAWN		11-7	
CHECKED		78	
ENGINEER			
APPROVED		1-77	
FIRST USED ON			
FINISH			
SCALE		CODE IDENT	
SIZE		CODE	
DRAWING NUMBER		REV	
001		01	

DATA GENERAL CORPORATION
WESTBORO, MASS. 01581
TITLE
300W
POWER SUPPLY
SHEET 1 OF 3

465 730 4800
472

THIS DRAWING AND SPECIFICATIONS HEREBY ARE THE PROPERTY OF DATA GENERAL CORPORATION AND SHALL NOT BE REPRODUCED OR COPIED OR USED IN WHOLE OR IN PART AS THE BASIS FOR MANUFACTURE OR SALE OF PRODUCTS WITHOUT WRITTEN PERMISSION.

REVISIONS				
REV	DESCRIPTION	DRFTG	APP BY	DATE
ECO				



C
B
A

ITEM	QTY	DESCRIPTION	PART NO.
DO NOT SCALE DRAWING. UNLESS OTHERWISE SPECIFIED USE INTC SPECIFICATION 100-000028 FOR TOLERANCES AND WORKMANSHIP REQUIREMENTS.			
DRAWN	11-9	78	DATA GENERAL CORPORATION WESTBORO, MASS. 01581 TITLE 300W POWER SUPPLY
CHECKED			
ENGINEER			
APPROVED			
FIRST USED ON			
FINISH			
SCALE	CODE IDENT	SIZE	CODE
DRAWING NUMBER		REV	

THIRD ANGLE PROJECTION