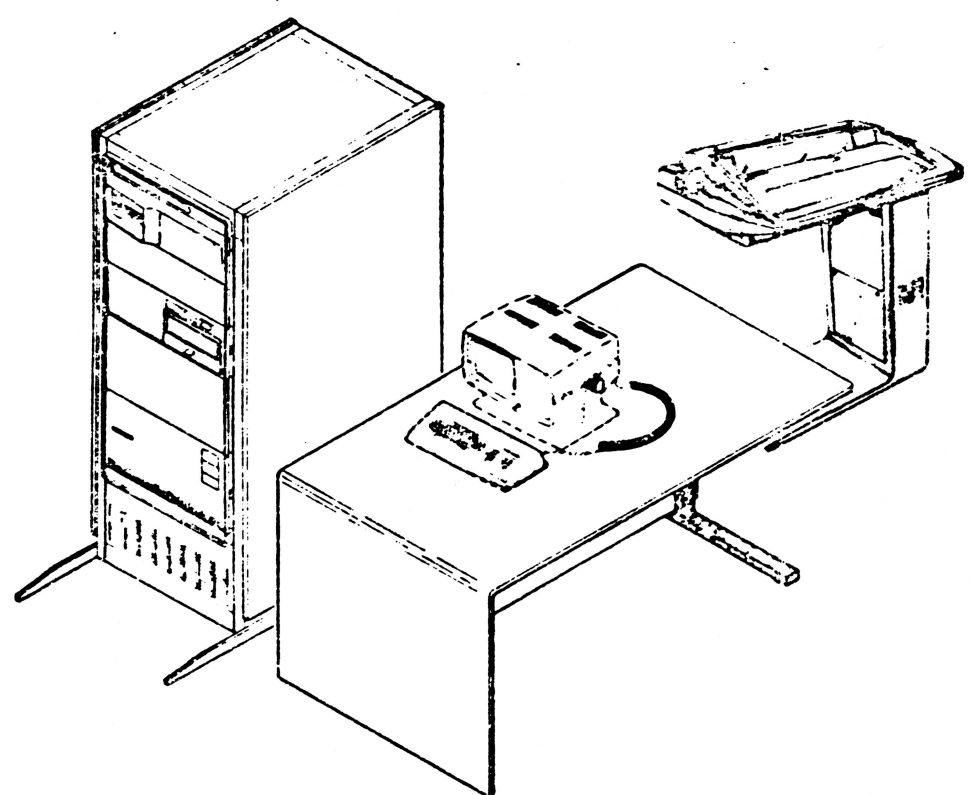


SUBSYSTEM COMPONENT BREAKDOWN

**MODELS 9231
(ONE BAY SYSTEM SHOWN)**



MAJOR COMPONENT

Component	Mounting Location	Notes
CS/50	FREE STANDING	
NOVA 4/X	CABINET	
CARTRIDGE DISC 6070	CABINET	SEE 010-000192
DISKETTE 6031	CABINET	SEE 010-000064
TABLE	FREE STANDING	OPTIONAL
DASHER DISPLAY	FREE STANDING	SEE 010-000098 or 010-000215 or 010-000235 or 010-000241
DASHER PRINTER	FREE STANDING	SEE 010-000094 or 010-000214 or 010-000195

CABLE

Cable	Connecting	Max Allowed Length	Notes
DEVICE CABLE	VIDEO DISPLAY and CPU	2000 ft / 70 m	USED ON 6053-D*
DEVICE CABLE (CURRENT LOOP)	VIDEO DISPLAY " CONV. PANEL	2000 ft / 70 m	USED ON 6053-G*
DEVICE CABLE (EIA)	VIDEO DISPLAY " FULL DUPLEX MODEM	50 ft / 15.3 m	USED ON 6053-J*
DEVICE CABLE (CURRENT LOOP)	DASHER PRINTER " CONV. PANEL	2000 ft / 70 m	USED ON 6041-G**
DEVICE CABLE (EIA)	DASHER PRINTER " FULL DUPLEX MODEM	50 ft / 15.3 m	USED ON 6041-J**
DEVICE CABLE	300 LPM PRINTER " CONV. PANEL	15 ft / 4.6 m	USED ON 9125
DEVICE CABLE	240 LPM PRINTER " CONV. PANEL	15 ft / 4.6 m	USED ON 9128
DEVICE CABLE	MATRIX PRINTER " CONV. PANEL	25 ft / 7.4 m	9129
DEVICE CABLE	SYNCHRONOUS MODEM " CONV. PANEL	50 ft / 15.3 m	1084G
INTERDEVICE CABLE	SES COMBO BOARD " CONV. PANEL	8 ft / 2.5 m	
INTERDEVICE CABLE	SLM BOARD " CONV. PANEL	8 ft / 2.5 m	
DEVICE CABLE	ASYNCHRONOUS MODEM " CONV. PANEL	50 ft / 15.3 m	1084G
DEVICE CABLE	INTERNATIONAL MODEM " CONV. PANEL	50 ft / 15.3 m	1084G

*ALSO 6093 & 6120
**ALSO 6076

FEB 1982 (D)
 PART NO. AC 16 2798

THIS DRAWING AND SPECIFICATIONS ARE THE PROPERTY OF DATA GENERAL CORPORATION AND SHALL REMAIN THE PROPERTY OF DATA GENERAL CORPORATION WHETHER OR NOT THIS DRAWING OR SPECIFICATIONS ARE LOANED TO OR USED BY ANY OTHER PARTY. NO PART OF THIS DRAWING OR SPECIFICATIONS IS TO BE REPRODUCED OR TRANSMITTED IN ANY FORM OR BY ANY MEANS, ELECTRONIC OR MECHANICAL, INCLUDING PHOTOCOPYING, RECORDING, OR BY ANY INFORMATION STORAGE AND RETRIEVAL SYSTEM, WITHOUT THE WRITTEN PERMISSION OF DATA GENERAL CORPORATION.

REV	DATE	BY	CHKD	APP'D

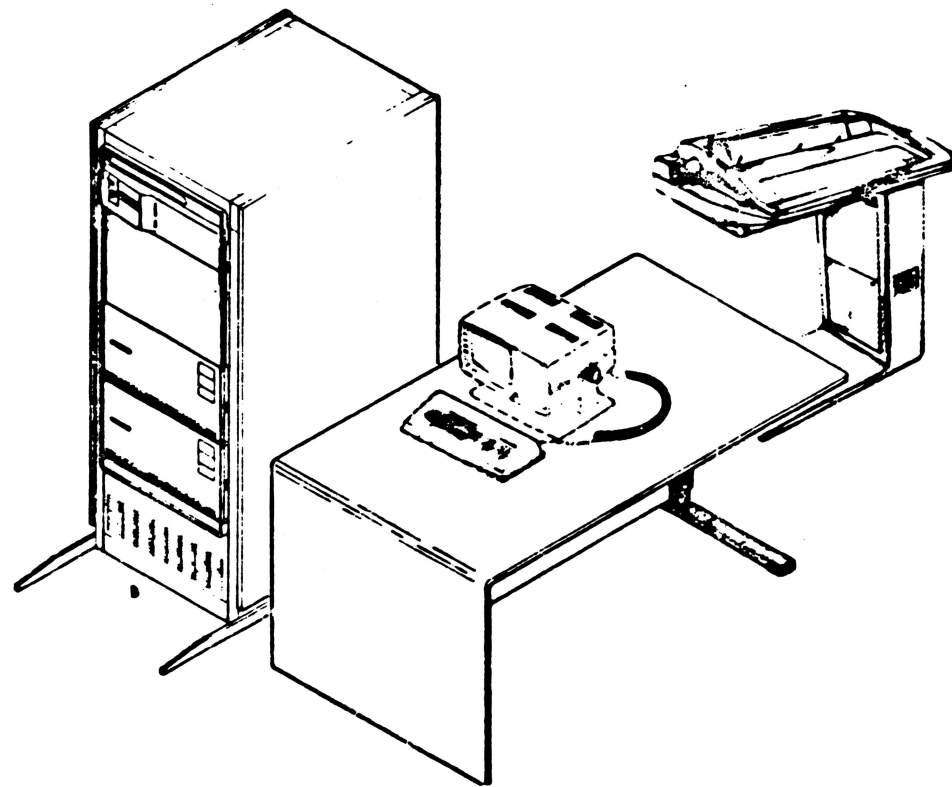
INSTALLATION DATA SHEETS
 CS/50
 SERIES

DATA GENERAL CORPORATION
 11000 N. DE SOTO AVENUE
 BOSTON, MA 02124
 C 010 000247 00

SUBSYSTEM COMPONENT BREAKDOWN

MODEL 9238

(ONE BAY SYSTEM SHOWN)



MAJOR COMPONENT

Component	Mounting Location	Notes
CS/50	FREE STANDING	
NOVA 4/S	CABINET	
6070 DISC	CABINET	SEE 010-000192
TABLE	FREE STANDING	OPTIONAL
DASHER DISPLAY	FREE STANDING	SEE 010-000098 or 010-000215 or 010-000235 or 010-000241
DASHER PRINTER	FREE STANDING	SEE 010-000094 or 010-000214 or 010-000195

CABLE

Cable	Connecting		Max Allowed Lg		Notes
			ft	m	
DEVICE CABLE	VIDEO DISPLAY	and CPU	2000	70	USED ON 6053-D*
DEVICE CABLE (CURRENT LOOP)	VIDEO DISPLAY	= CONV. PANEL	2000	70	USED ON 6053-G*
DEVICE CABLE (EIA)	VIDEO DISPLAY	= FULL DUPLEX MODEM	50	15.3	USED ON 6053-J**
DEVICE CABLE (CURRENT LOOP)	DASHER PRINTER	= CONV. PANEL	2000	70	USED ON 6041-G**
DEVICE CABLE (EIA)	DASHER PRINTER	= FULL DUPLEX MODEM	50	15.3	USED ON 6041-J**
DEVICE CABLE	300 LPM PRINTER	= CONV. PANEL	15	4.6	USED ON 9125
DEVICE CABLE	240 LPM PRINTER	= CONV. PANEL	15	4.6	USED ON 9128
DEVICE CABLE	MATRIX PRINTER	= CONV. PANEL	25	7.4	9129
DEVICE CABLE	SYNCHRONOUS MODEM	= CONV. PANEL	50	15.3	1084g
INTERDEVICE CABLE	SBS COMBO BOARD	= CONV. PANEL	8	2.5	
INTERDEVICE CABLE	SLM BOARD	= CONV. PANEL	9	2.5	
DEVICE CABLE	ASYNCHRONOUS MODEM	= CONV. PANEL	50	15.3	1084g
DEVICE CABLE	INTERNATIONAL MODEM	= CONV. PANEL	50	15.3	1084g

* ALSO 6093 & 6120
** ALSO 6076

013-009840
REV. 11/78
BU. INTC. 40 526 279,8

THIS DRAWING AND SPECIFICATIONS HEREIN ARE THE PROPERTY OF DATA GENERAL CORPORATION AND SHALL NOT BE REPRODUCED OR TRANSMITTED IN ANY FORM OR BY ANY MEANS, ELECTRONIC OR MECHANICAL, INCLUDING PHOTOCOPYING, RECORDING, OR BY ANY INFORMATION STORAGE AND RETRIEVAL SYSTEM, WITHOUT WRITTEN PERMISSION.

REV	DRAWN	APPROVED
ECO 1	CHECKED	FIRST USED ON
APP	ENGINEER	CODE IDENT 34984
DATE		

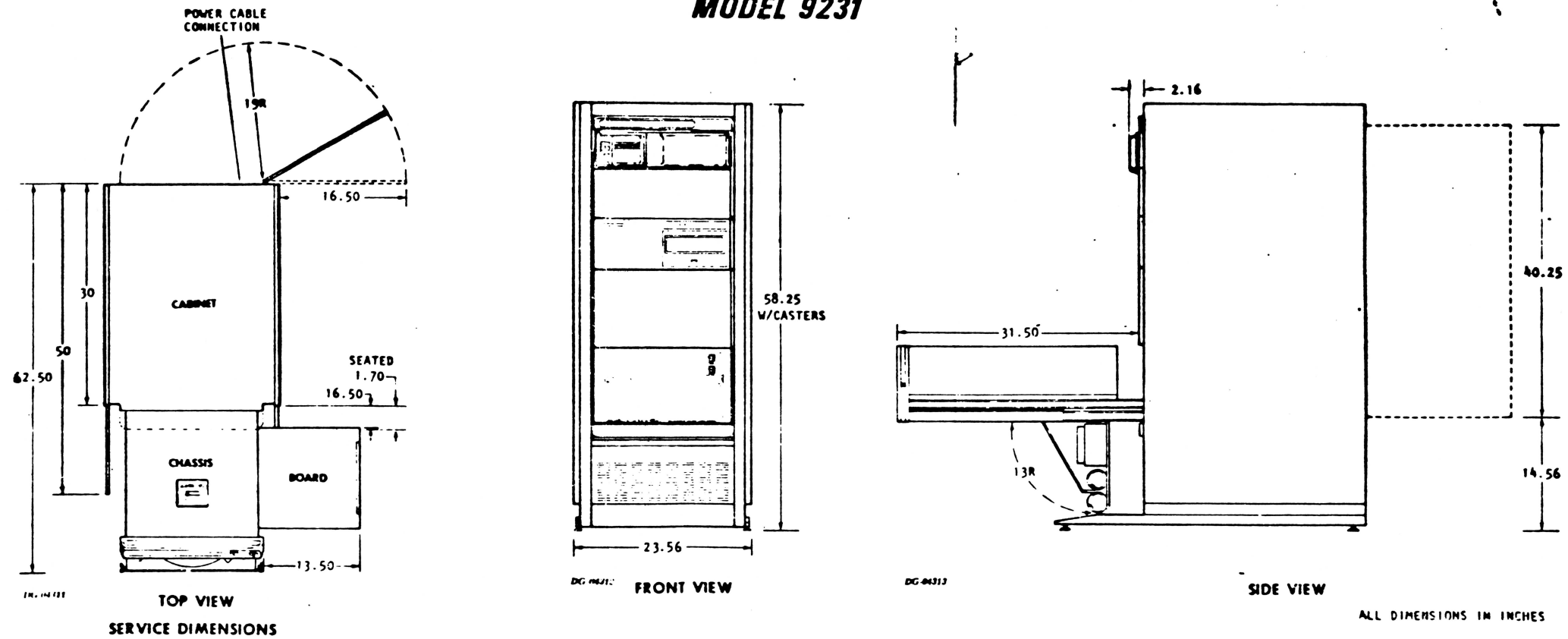
TITLE
INSTALLATION DATA SHEETS
CS/50
SERIES

DATA GENERAL CORPORATION
WESTBORD MASSACHUSETTS 01581
DRAWING NUMBER
000247
SIZE C 1010
REF 00

SPECIFICATIONS OF FREE-STANDING COMPONENTS

No Bays	PRIMARY POWER REQUIRED FOR CABINET										WEIGHT			COOLING UNIT			
	POWER					CORD SUPPLIED		WALL RECEPTACLE REQ'D			BTU/Hr.	GROSS, FULLY LOADED		POWER			
	Volts	Hz	Phase	Conductors	Amps	Cable Length ft/in	Cable Connector Nema	Power Drop Nema	Wall Receptacle Nema	Total lb/kg		Per Bay lb/kg	No Units	Volt	Hz	Amp	Watts
1	240 Vac	60	1	3 W/G	40	9/2.74	14-50P	14-50R	14-50R	6,000	565/254	565/254	1	120	60	1.5	140
2	240 Vac	60	1	3 W/G	40	9/2.74	14-50P	14-50R	14-50R	10,600	1090/492	525/238	2	120	60	1.5	140
3	240 Vac	60	1	3 W/G	40	9/2.74	14-50P	14-50R	14-50R	16,500	1615/730	525/238	3	120	60	1.5	140
1	230Vac	50	1	2 W/G	40	9/2.74				6,000	565/254	565/254	1	230	50	0.75	140
2	230Vac	50	1	2 W/G	40	9/2.74				10,600	1090/492	525/238	2	230	50	0.75	140
3	230Vac	50	1	2 W/G	40	9/2.74				16,500	1615/730	525/238	3	230	50	0.75	140

SINGLE BAY CABINET MODEL 9231



013-000840
BRUNING 40-526 27828

THIS DRAWING AND SPECIFICATIONS HEREIN ARE THE PROPERTY OF DATA GENERAL CORPORATION AND SHALL NOT BE REPRODUCED OR COPIED OR IN WHOLE OR IN PART AS THE BASIS FOR MANUFACTURE OR SALE OF ITEMS WITHOUT WRITTEN PERMISSION.

REV		DRAWN	APPROVED
ECO		CHECKED	FIRST USED ON
APP		ENGINEER	CODE IDENT 34984
DATE			

FILE
INSTALLATION DATA SHEETS
CS/50
SERIES

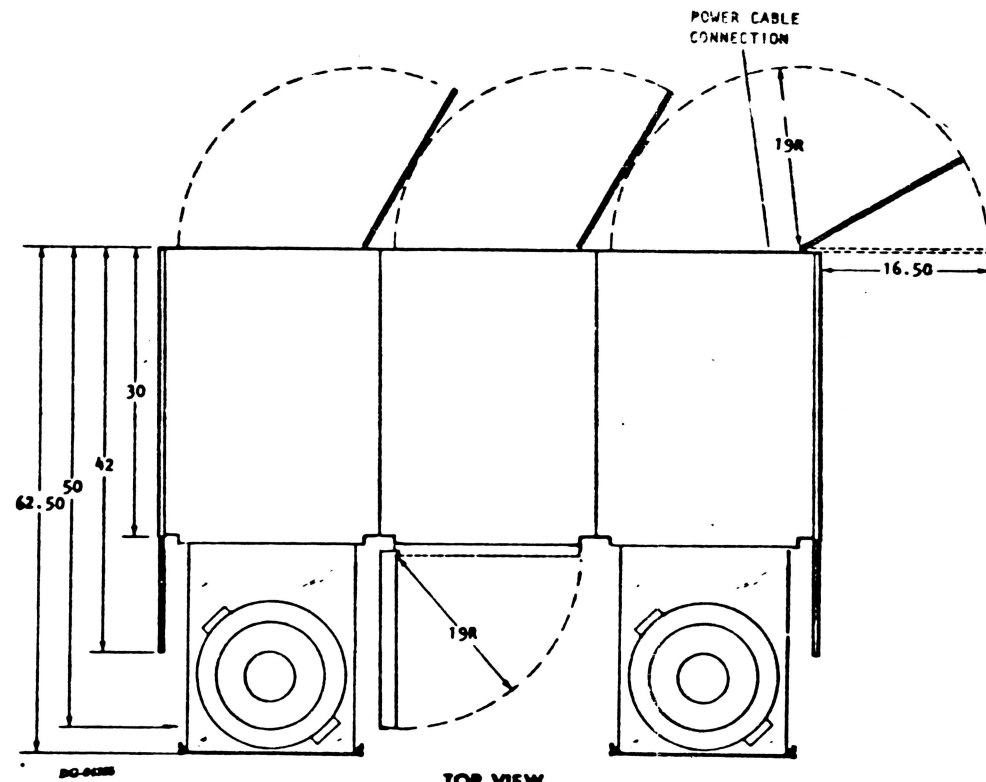
DATA GENERAL CORPORATION
WESTBORO, MASSACHUSETTS 01581

SIZE C 010	DRAWING NUMBER 000247	REV 00
------------	-----------------------	--------

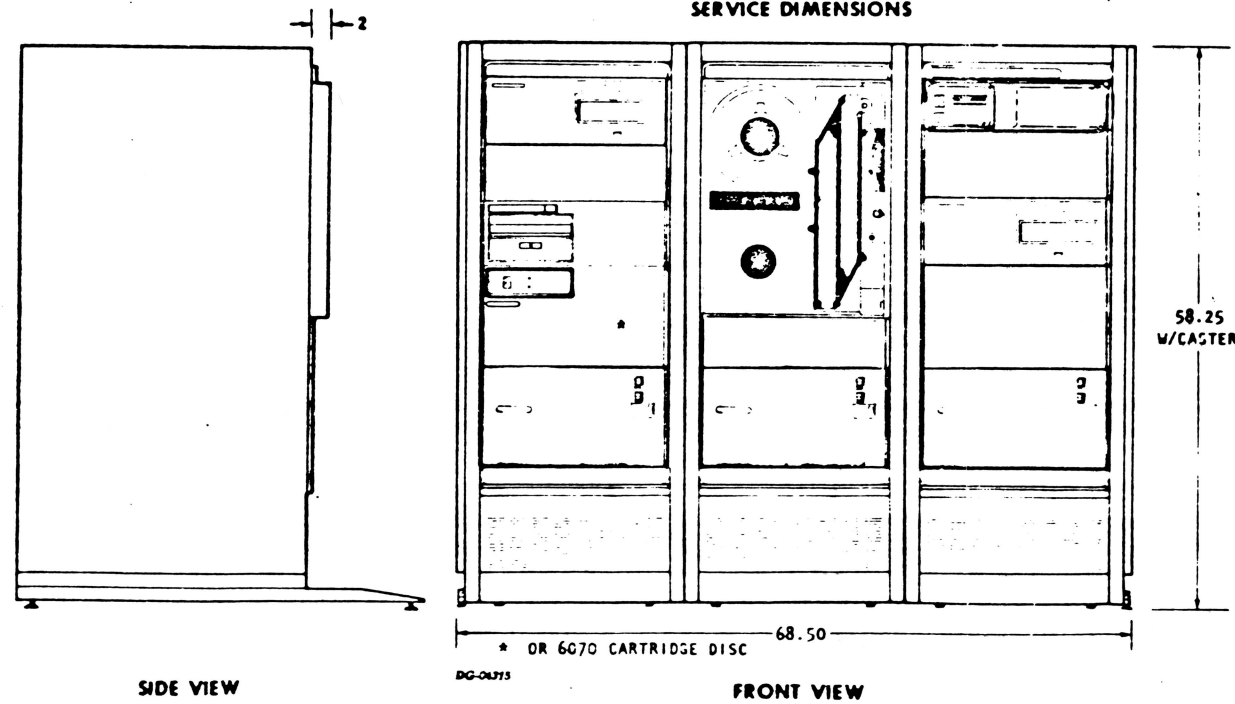
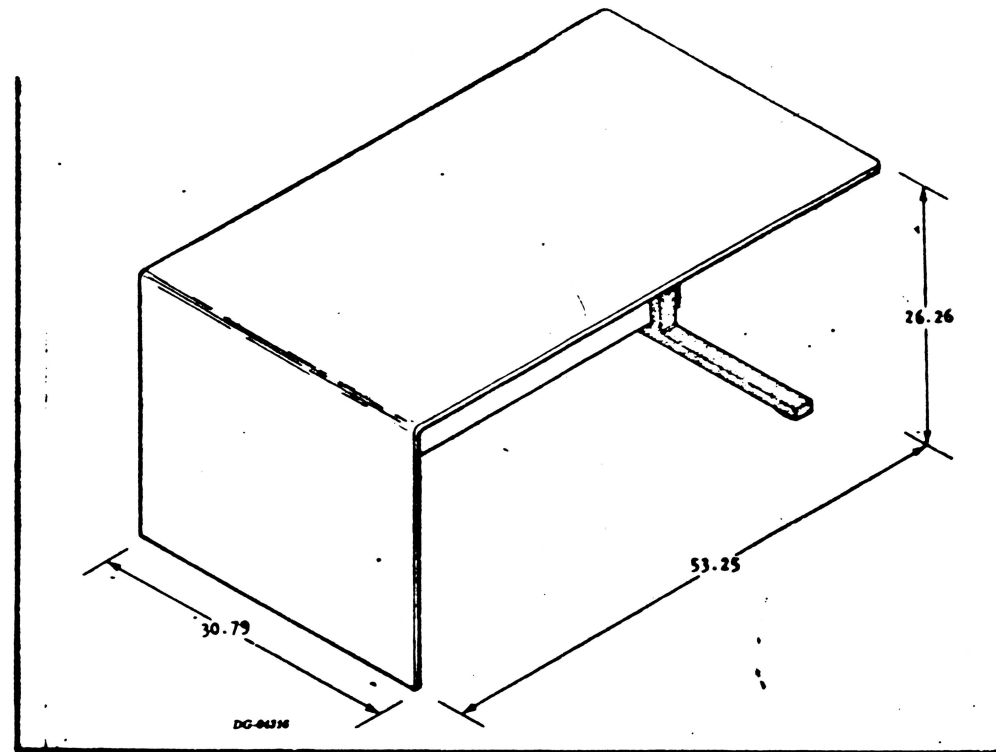
SPECIFICATIONS OF FREE-STANDING COMPONENTS (Cont)

THREE BAY CABINET MODELS 9231

WORKTABLE

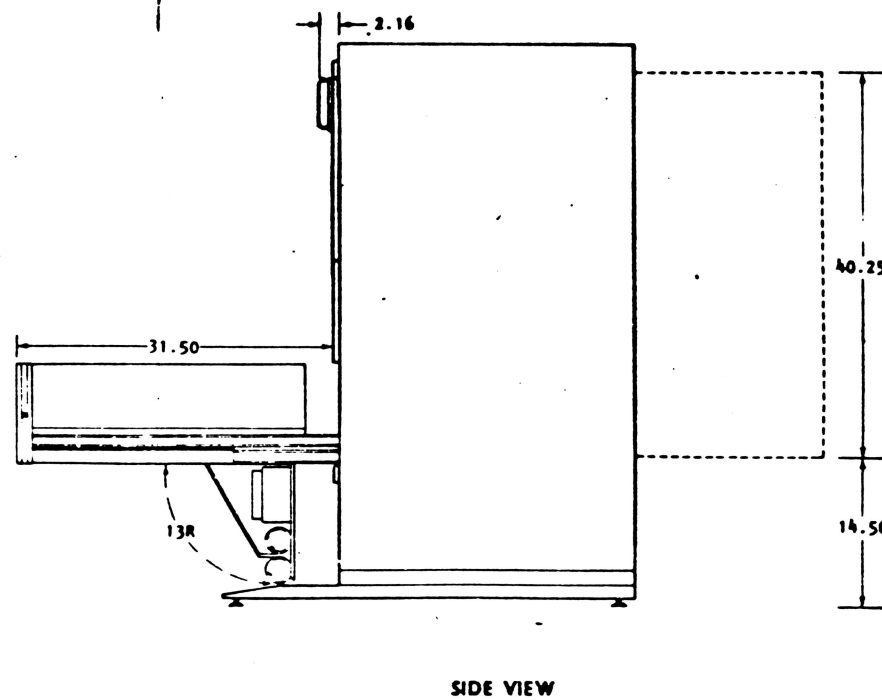


TOP VIEW
SERVICE DIMENSIONS



SIDE VIEW

FRONT VIEW



SIDE VIEW

ALL DIMENSIONS IN INCHES

D13 000840
BRUNING AQ 528 27928

THIS DRAWING AND SPECIFICATIONS HEREIN ARE THE PROPERTY OF DATA GENERAL CORPORATION AND SHALL NOT BE REPRODUCED OR COPIED OR USED IN WHOLE OR IN PART AS THE BASIS FOR MANUFACTURE OR SALE OF ITEMS WITHOUT WRITTEN PERMISSION.

REV	DATE	APP	CHECKED	ENGINEER

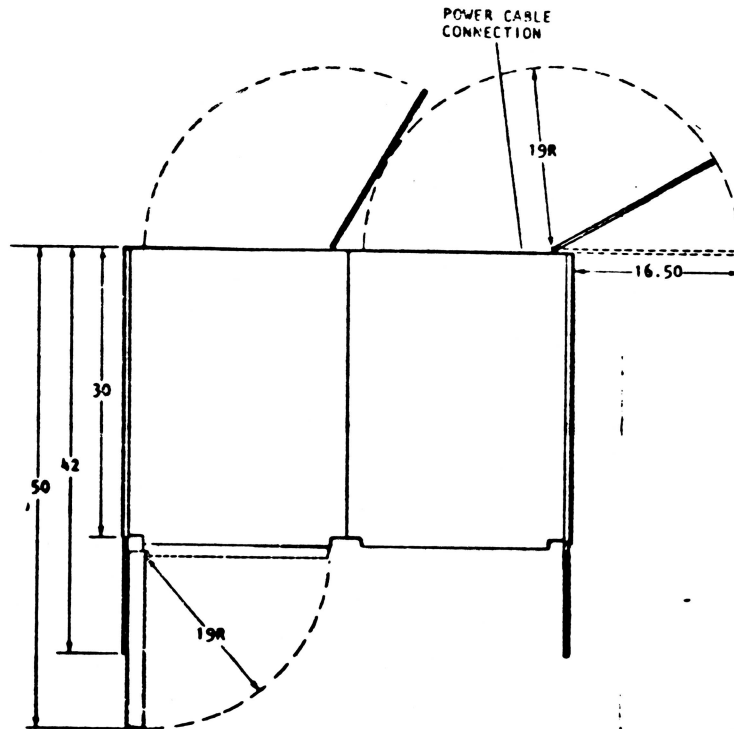
DRAWN	APPROVED

TITLE
INSTALLATION DATA SHEETS
CS/50
SERIES

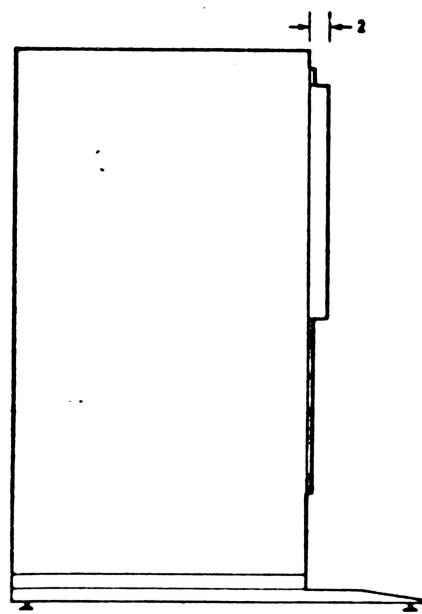
DATA GENERAL CORPORATION WESTBORO, MASSACHUSETTS 01581	
SHEET NO C 010	DRAWING NUMBER 000247
REV 00	

SPECIFICATIONS OF FREE-STANDING COMPONENTS (Cont)

**TWO BAY CABINET
MODELS C3, 9241-Y, 9241-X**

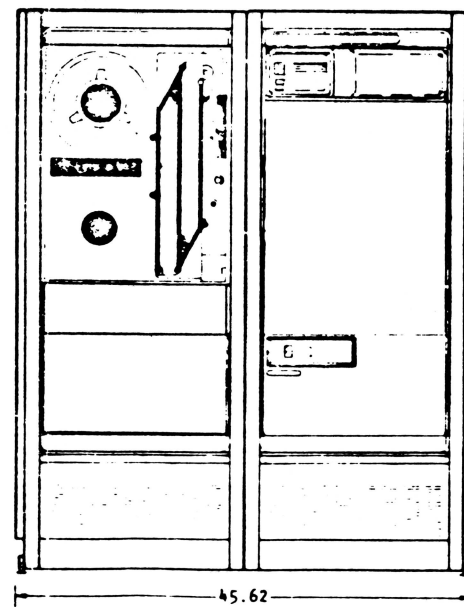


**TOP VIEW
SERVICE DIMENSIONS**

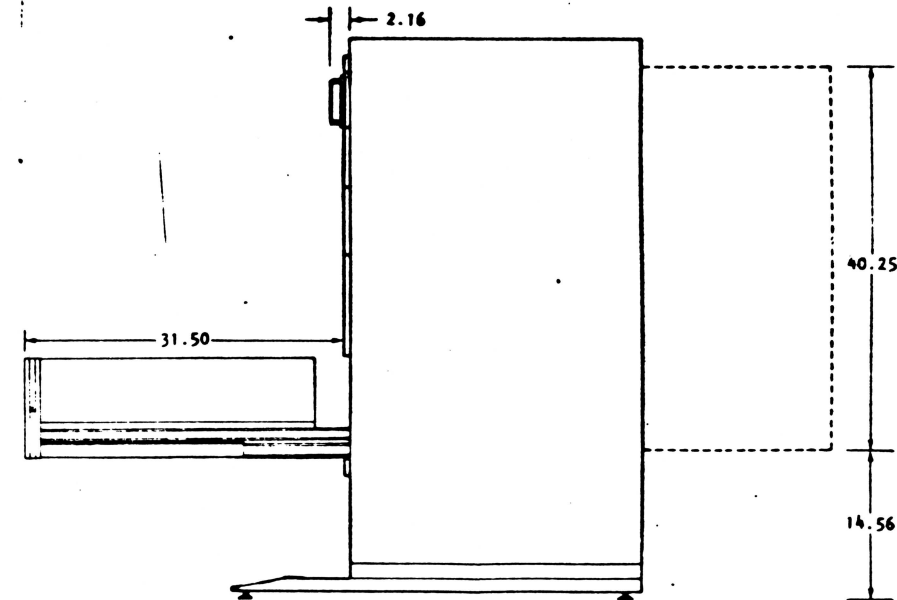


SIDE VIEW

58.25
W/CASTERS



FRONT VIEW



SIDE VIEW

ALL DIMENSIONS IN INCHES

G13-40040
REV. 01-26-27928

THIS DRAWING AND SPECIFICATIONS HEREIN ARE THE PROPERTY OF DATA GENERAL CORPORATION AND SHALL NOT BE REPRODUCED OR COPIED OR USED IN WHOLE OR IN PART AS THE BASIS FOR MANUFACTURE OR SALE OF ITEMS WITHOUT WRITTEN PERMISSION.

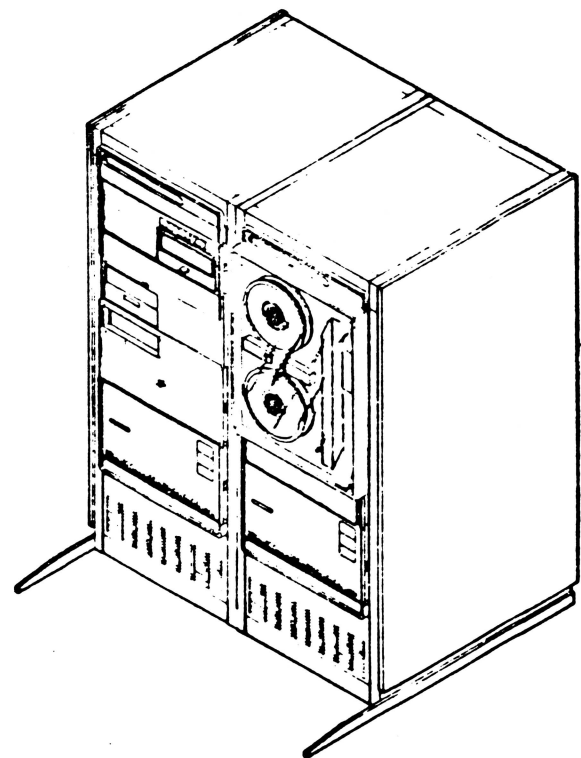
REV					
ECO					
APP					
DATE					

DRAWN	APPROVED
CHECKED	FIRST USED ON
ENGINEER	CODE IDENT 34984

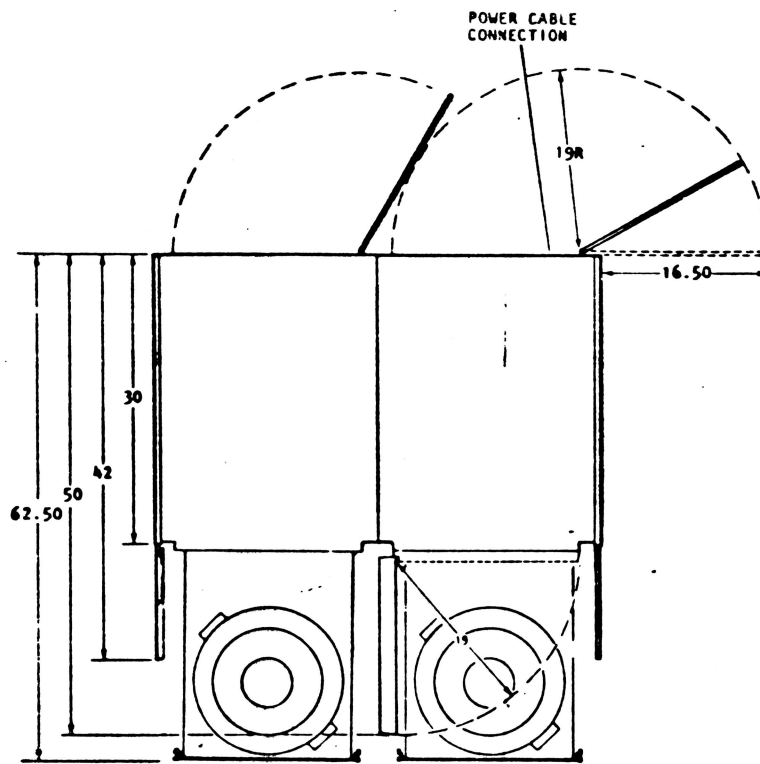
INSTALLATION DATA SHEETS
CS/50
SERIES

DATA GENERAL CORPORATION		
WESTBORO, MASSACHUSETTS 01581		
SIZE C	010	000247
REV		00

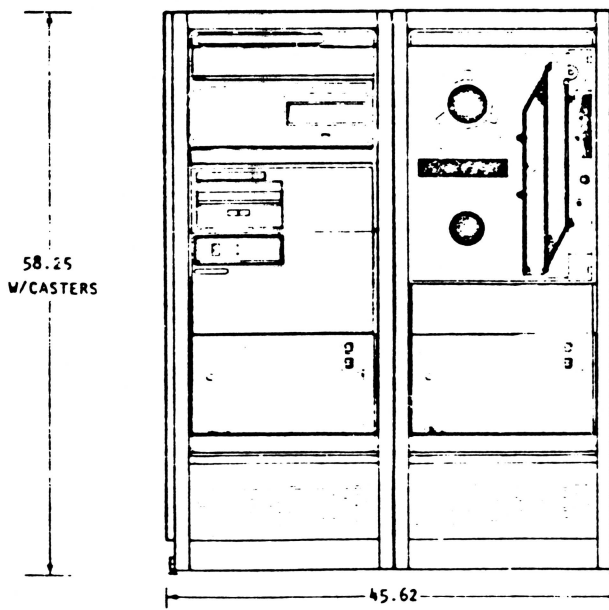
SUBSYSTEM COMPONENT BREAKDOWN



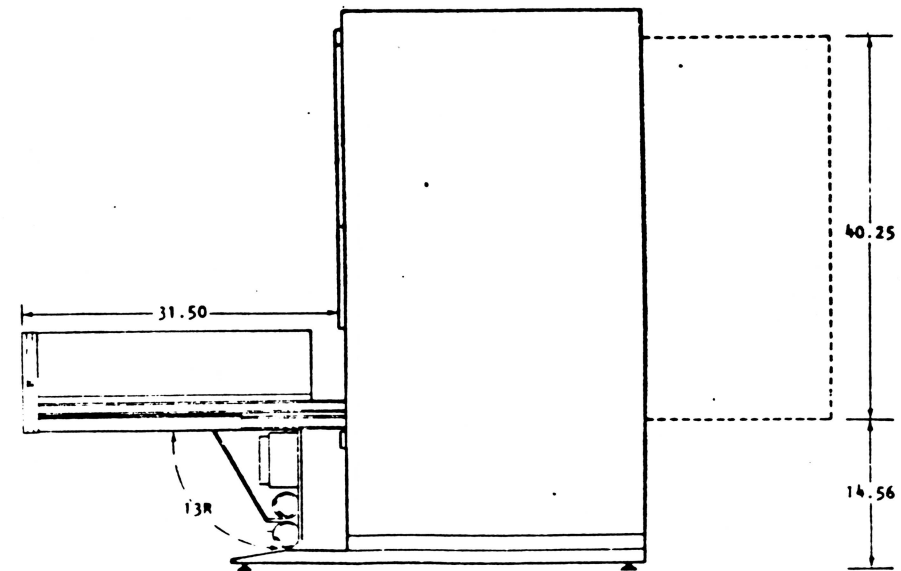
SPECIFICATIONS OF FREE-STANDING COMPONENTS



TOP VIEW
SERVICE DIMENSIONS



FRONT VIEW



SIDE VIEW

DIMENSIONS IN INCHES

B

MAJOR COMPONENT

Component	Mounting Location	Notes
CABINET	FREE STANDING	
DISKETTE 6031	CABINET	SEE 010-000064
CARTRIDGE DISC 6070	CABINET	SEE 010-000192
MAG TAPE 6021 OR 6026	CABINET	SEE 010-000213 OR 010-000147

CABLE

Cable	Connecting	Max Allowed Lg	Notes
INTERDEVICE CABLE	CARTRIDGE DISC and ETCHED PCB/BOARD	25 7.5	

* OR 6070 CARTRIDGE DISC

A

013 C06840
BRUNING 40 526 27928

THIS DRAWING AND SPECIFICATIONS HEREIN ARE THE PROPERTY OF DATA GENERAL CORPORATION AND SHALL NOT BE REPRODUCED OR TRANSMITTED IN ANY FORM OR BY ANY MEANS, ELECTRONIC OR MECHANICAL, INCLUDING PHOTOCOPYING, RECORDING, OR BY ANY INFORMATION STORAGE AND RETRIEVAL SYSTEM, WITHOUT THE WRITTEN PERMISSION OF DATA GENERAL CORPORATION.

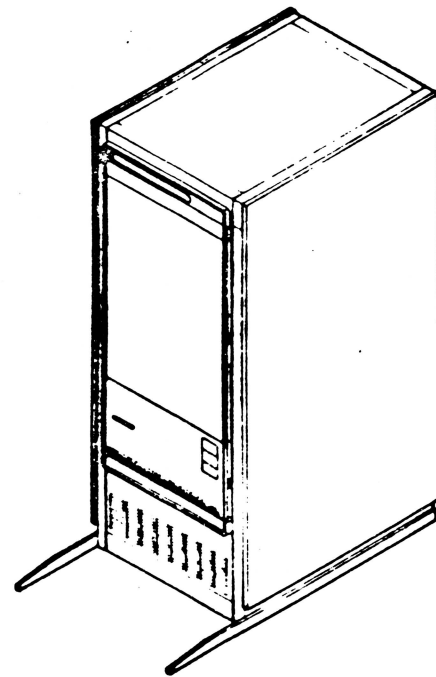
REV	ECO	APP	DATE	DRAWN	CHECKED	ENGINEER	APPROVED	FACT USED ON	CODE ID/FNT	34984
-----	-----	-----	------	-------	---------	----------	----------	--------------	-------------	-------

INSTALLATION DATA SHEETS
CS/50
SERIES

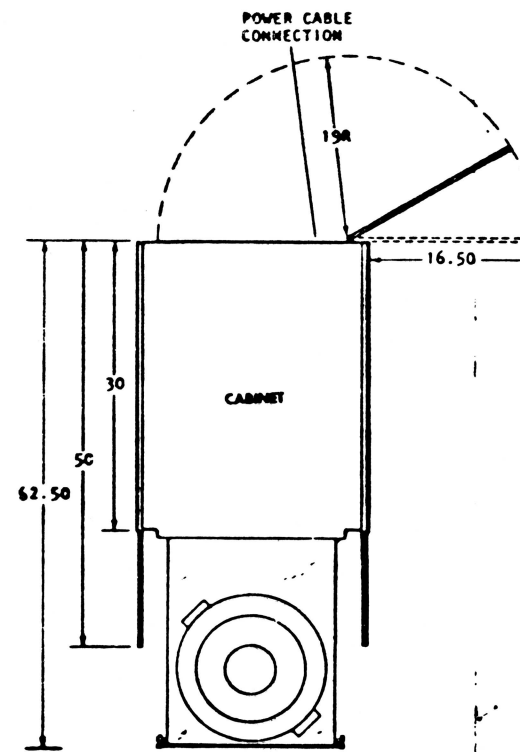
DATA GENERAL CORPORATION
WESTBORO, MASSACHUSETTS 01581
SIZE C 010
DRAWING NUMBER 000247
REV 00

OPTIONS FOR MODELS 9235, 9236, 9237

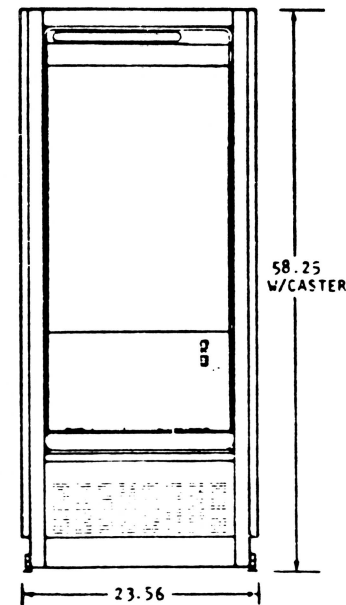
SUBSYSTEM COMPONENT BREAKDOWN



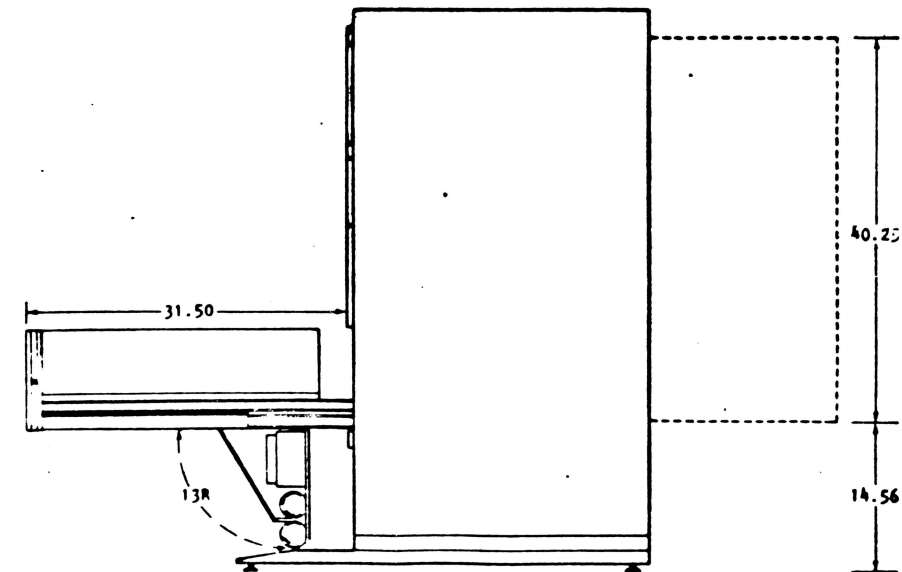
SPECIFICATIONS OF FREE-STANDING COMPONENTS



TOP VIEW
SERVICE DIMENSIONS



FRONT VIEW



SIDE VIEW

DIMENSIONS IN INCHES

MAJOR COMPONENT

Component	Mounting Location	Notes
SINGLE BAY CABINET	FREE STANDING	
CARTRIDGE DISC 6070	CABINET	SEE 010-000192

CABLE

Cable	Connecting	Max Allowed Lg		Notes
		ft	m	
INTERDEVICE CABLE	CARTRIDGE DISC 6070 and ETCHED PADDLEBOARD	25	7.6	

013 (A) (94)
BUILDING 40 524 2792B

THIS DRAWING AND SPECIFICATIONS HEREIN ARE THE PROPERTY OF DATA GENERAL CORPORATION AND SHALL NOT BE REPRODUCED OR COPIED OR USED IN WHOLE OR IN PART AS THE BASIS FOR MANUFACTURE OR SALE OF ITEMS WITHOUT WRITTEN PERMISSION.

DESIGNED BY	REV	DRAWN	APPROVED
CHECKED	ECO	CHECKED	FIRST USED ON
ENGINEER	APP	ENGINEER	CODE IDENT 34984
DATE			

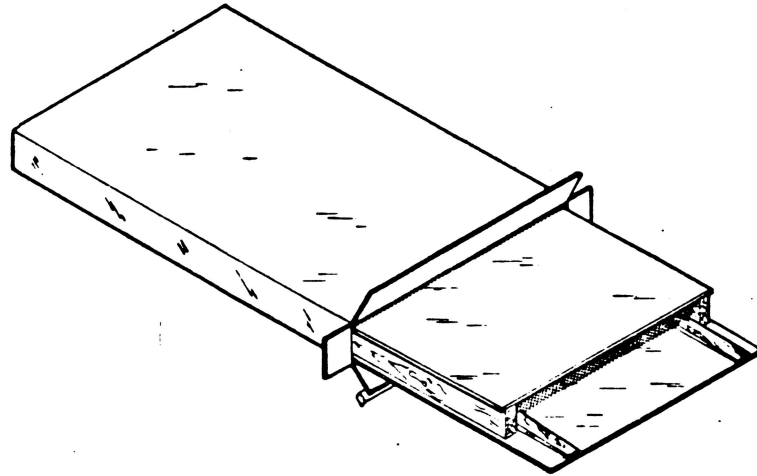
INSTALLATION DATA SHEETS
CS/50
SERIES

DATA GENERAL CORPORATION
WESTBORO MASSACHUSETTS 01581

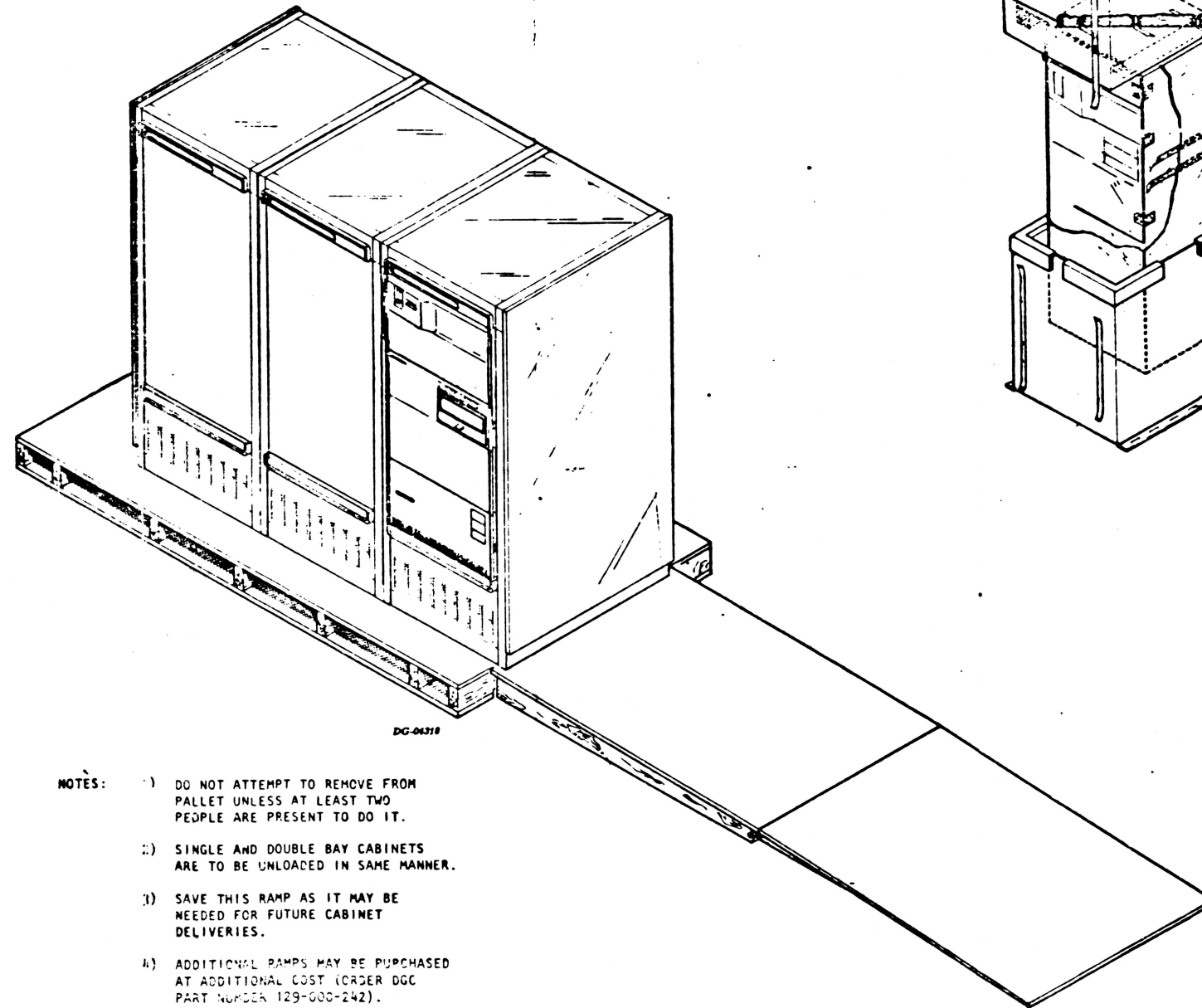
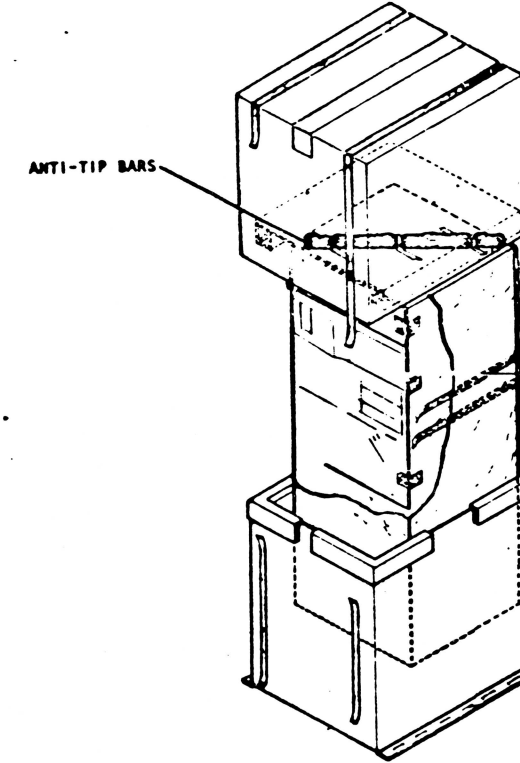
SIZE	CODE	DRAWING NUMBER	REV
C	010	000247	00

SHIPPING (Cont)

RAMP PACKAGE



ANTI-TIP BARS



SHIPPING AND PACKAGE DATA						
Outside Dimensions			Weight (Gross)	Volume	Density	
Length	Width	Depth				
in.	in.	in.	lbs.	cu ft	lbs/cu ft	
cm	cm	cm	kg	cu m	kg/cu m	
32.25	5.25	50.75	50	4.77	10.48	
82	13	129	22.5	.1431	157	

- NOTES:**
- DO NOT ATTEMPT TO REMOVE FROM PALLET UNLESS AT LEAST TWO PEOPLE ARE PRESENT TO DO IT.
 - SINGLE AND DOUBLE BAY CABINETS ARE TO BE UNLOADED IN SAME MANNER.
 - SAVE THIS RAMP AS IT MAY BE NEEDED FOR FUTURE CABINET DELIVERIES.
 - ADDITIONAL RAMPS MAY BE PURCHASED AT ADDITIONAL COST (ORDER DGC PART NUMBER 129-000-242).

013-000840
DRAWING 40526 27928

THIS DRAWING AND SPECIFICATIONS HEREIN ARE THE PROPERTY OF DATA GENERAL CORPORATION AND SHALL NOT BE REPRODUCED OR TRANSMITTED IN ANY FORM OR BY ANY MEANS, ELECTRONIC OR MECHANICAL, INCLUDING PHOTOCOPYING, RECORDING, OR BY ANY INFORMATION STORAGE AND RETRIEVAL SYSTEM, WITHOUT WRITTEN PERMISSION.

REV	DATE	APP	ENGINEER	CHECKED	ENGINEER	APPROVED	FIRST USED ON	CODE IDENT
ECO								34984

TITLE
INSTALLATION DATA SHEETS
CS/50
SERIES

DATA GENERAL CORPORATION
WESTBORO, MASSACHUSETTS 01581

SHEET NO.	DRAWING NUMBER	REV
C 1010	000247	00

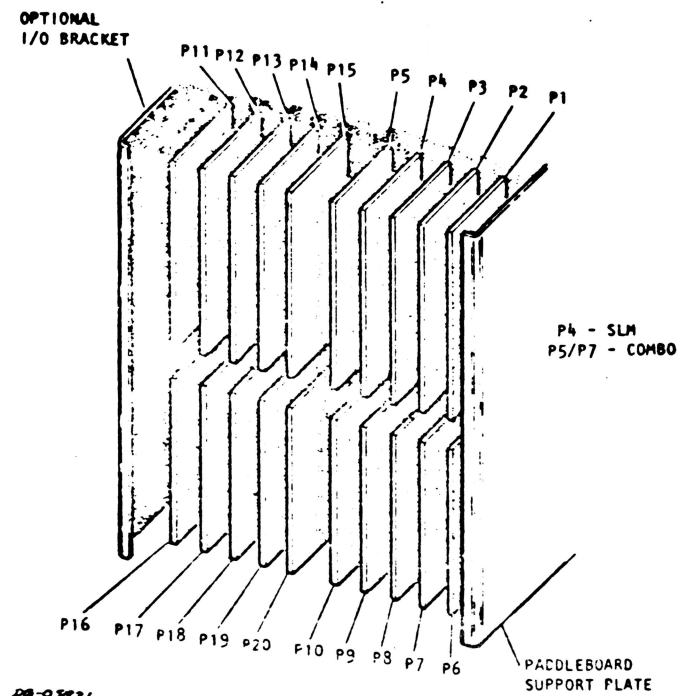
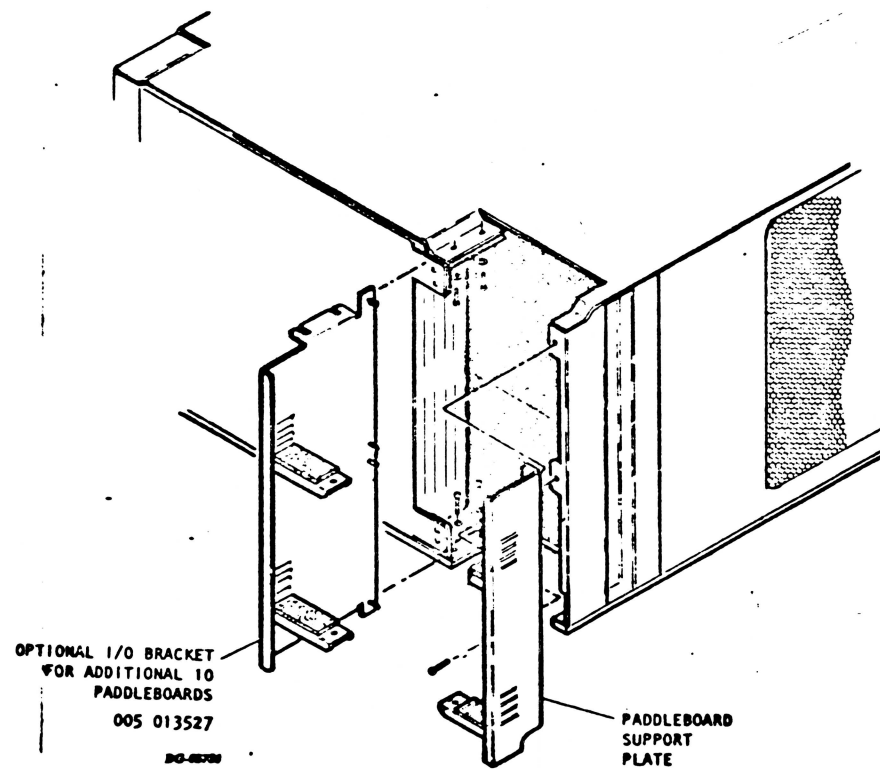
CHASSIS SLOT ASSIGNMENTS

NOVA 4/X or 4/S

Data Channel Speeds Available:			
		Standard <input type="checkbox"/>	High Speed <input checked="" type="checkbox"/>
Slot	Allowed (Slot Chart)	Assigned	+5V Current Draw
16	(SLM)		4.0
15	RESERVED		
14	(COMBO 2)		3.5
13	COMBO 1		3.5
12	(DCH PRINTER CONTR)		2.5
11	6070 DISC CONT*		4.0
10	6026 CONT		2.6
9	6098/6100 DISC CONTR		4.0
8	ZEBRA CONTR 2		3.4
7	ZEBRA CONTR 1*		2.9
6	6031/6045 CONT		4.0
5	6021 CONT		2.6
4	(128 kB MEM) (ADD ON)		4.4
3	(32, 64, 128 kB MEM) (ADD ON)		4.4
2	64, 128 kB MEM		4.4
1	CPU		17
Total +5V Current draw			64.6
Max +5V Current Available			100
+5V Current Surplus			35.4

* OR 6099 OR 6103 CONTR (OPTION)

INTERNAL CABLING



01300840
BRUNING 40-526 27928

THIS DRAWING AND SPECIFICATIONS HEREIN ARE THE PROPERTY OF DATA GENERAL CORPORATION AND SHALL NOT BE REPRODUCED OR TRANSMITTED IN ANY FORM OR BY ANY MEANS, ELECTRONIC OR MECHANICAL, INCLUDING PHOTOCOPYING, RECORDING, OR BY ANY INFORMATION STORAGE AND RETRIEVAL SYSTEM, WITHOUT WRITTEN PERMISSION.

REV	ECO	APP	DATE	DRAWN	CHECKED	ENGINEER	APPROVED	FIRST USED ON	CODE IDENT 34984
-----	-----	-----	------	-------	---------	----------	----------	---------------	------------------

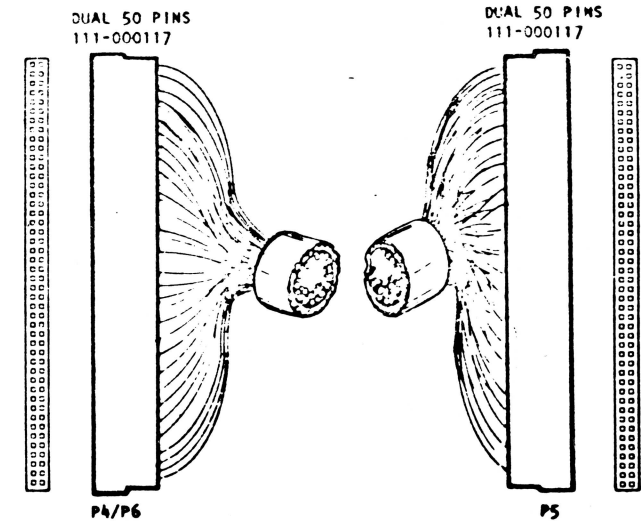
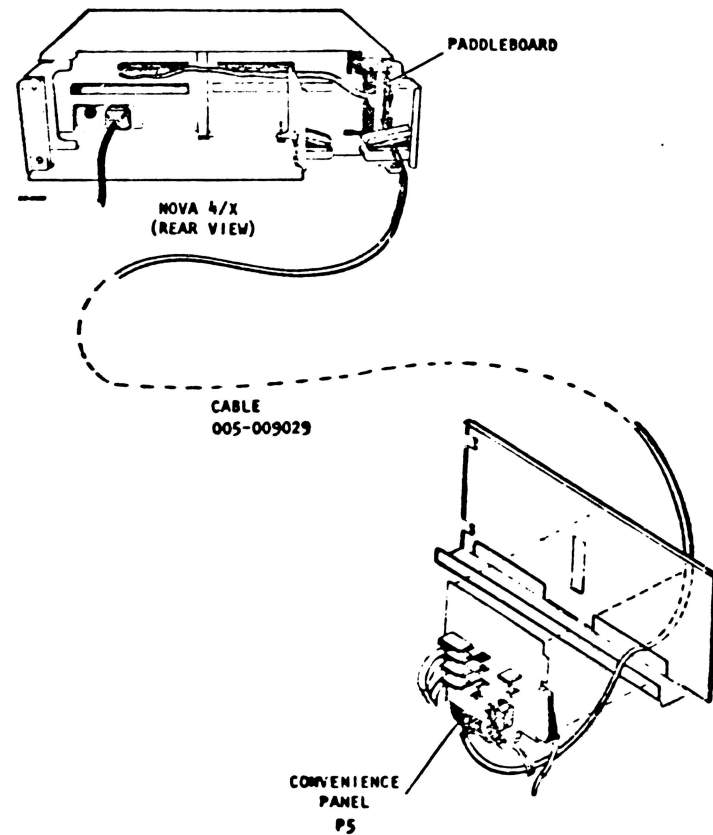
INSTALLATION DATA SHEET
CS/50
SERIES

DATA GENERAL CORPORATION
WESTBORO, MASSACHUSETTS 01581

SIZE C 010
DRAWING NUMBER C00247
REV 00

INTERNAL CABLING (Cont)

COMBO PCB



BACKPANEL	PADDLE BOARD	CABLE	CONVENIENCE PANEL
A 1 (GRD)	1	— GND	2
78	4	— CTS 3	4
77	5	— CTS 1	5
76	6	— CTS 2	6
75	7	— CTS 0	7
73	8	— CD 0	8
71	9	— CD 1	9
69	10	— CD 2	10
67	11	— CD 3	11
65	12	— RING 0	12
63	13	— RING 1	13
61	14	— RING 2	14
59	15	— RING 3	15
57	16	— DSR 0	16
47	17	— DSR 1	17
49	18	— DSP 2	18
79	19	— DSR 3	19
81	20	— KEY TTO	20
84	21	— XMIT DATA 3	21
83	22	— XMIT DATA 2	22
86	23	— XMIT DATA 1	23
85	24	— XMIT DATA 0	24
88	25	— REC DATA 1	25
87	26	— REC DATA 0	26
89	27	— REC DATA 2	27
90	28	— REC DATA 3	28
B 6	29	— -12V	29
11	30	— DTR 0	30
13	31	— DTR 1	31
15	32	— DTR 2	32
19	33	— READY	33
23	34	— DEMAND	34
25	35	— PSTRB	35
27	36	— DTR 3	36
31	37	— RTS 0	37
34	38	— RTS 1	38
36	39	— RTS 2	39
38	40	— RTS 3	40
40	41	— +15V	41
48	42	— PB 3	42
49	43	— PB 2	43
51	44	— PB 4	44
52	45	— PB 1	45
53	46	— PB 5	46
54	47	— PB 6	47
67	48	— PB 7	48
B 69	49	— TTI	49
	50	— +5	3

013-000840
PRINTING 40 526 27928

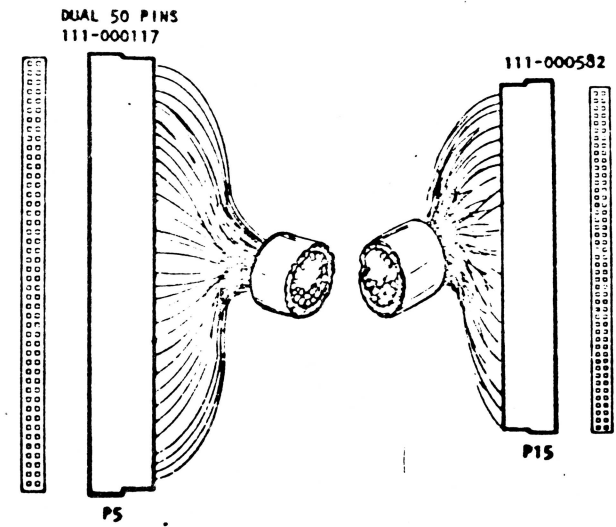
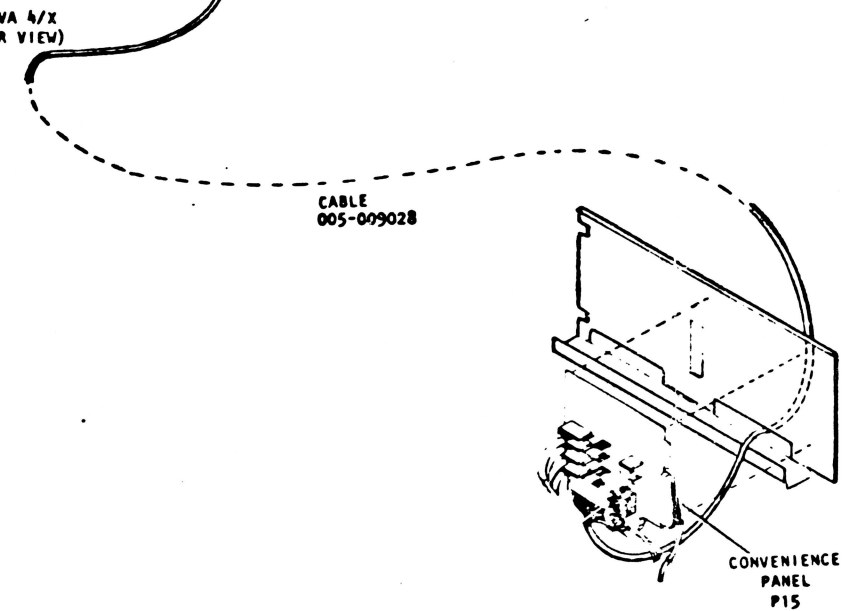
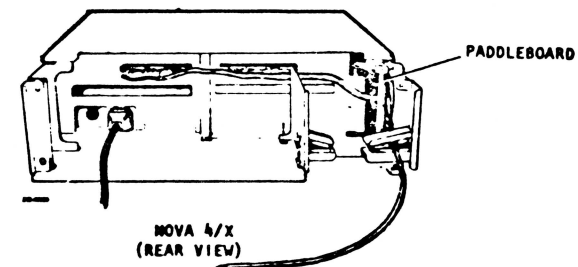
THIS DRAWING AND SPECIFICATIONS HEREIN ARE THE PROPERTY OF DATA GENERAL CORPORATION AND SHALL NOT BE REPRODUCED OR TRANSMITTED IN ANY FORM OR BY ANY MEANS, ELECTRONIC OR MECHANICAL, INCLUDING PHOTOCOPYING, RECORDING, OR BY ANY INFORMATION STORAGE AND RETRIEVAL SYSTEM, WITHOUT THE WRITTEN PERMISSION OF DATA GENERAL CORPORATION.

REV		DRAWN		APPROVED	
ECO		CHECKED		FIRST USED ON	
APP		ENGINEER		CODE IDENT 34984	
DATE					

INSTALLATION DATA SHEET
CS/50
SERIES

DATA GENERAL CORPORATION
WESTBORO, MASSACHUSETTS 01581
DRAWN BY: JWEHR
000247
REV 00

INTERNAL CABLING (Cont)
SYNC LINE MUX PCB



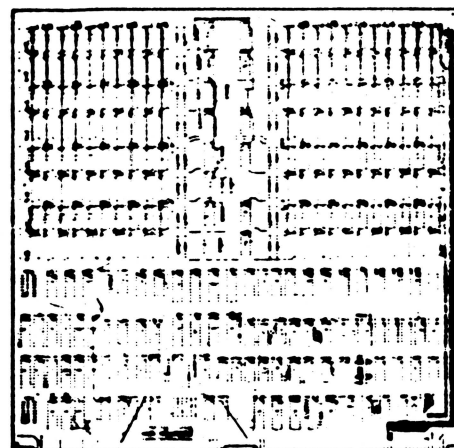
P5 BACKPANEL		PADDLE BOARD	CABLE 005-009028	P15 CONVENIENCE PANEL
A1	1	GND		26
75	7	ACU SP		3
73	8	DL 0		4
71	9	NB 8		5
69	10	NB 4		6
67	11	NB 2		7
65	12	NB 1		8
63	13	DSS		9
61	14	PW1		10
59	15	PND		11
57	16	CRQ		12
47	17	DPR		13
A49	18	ACR		22
B19	33	SPA		23
23	34	SPB		16
34	38	TX CLK		17
36	39	RING		18
38	40	CAR DET		19
40	41	DSR		20
49	43	DTR		21
51	44	REC CLK		15
52	45	REC DATA		14
53	46	XMIT DATA		2
54	47	CTS		24
67	48	INT CLK		25
B69	49	RTS		

013 000140
BRUNING 40 526 27928

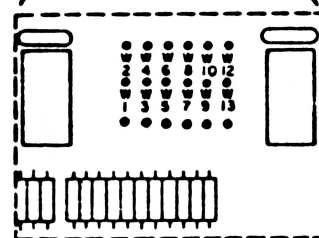
REV		DRAWN		APPROVED		FILE INSTALLATION DATA SHEET CS/50 SERIES	DATA GENERAL CORPORATION WESTBORO, MASSACHUSETTS 01581	
ECO		CHECKED		FIRST USED ON				
APP		ENGINEER		CODE IDENT 34984				
DATE								
							DATE C O/O	DRAWING NUMBER 000247
							REV	00

TAILORING (CONT)

MEMORY JUMPERING NOVA 4/S AND 4/X



REF: DGC Desg No. 107 000813



NOVA 4/X MEMORY BOARD SELECT JUMPERS

ADDRESS RANGE	JUMPERS INSERTED* BOARD SIZE
0377777- 0300000- 0277777- 0200000-	W8 128KBYTES
0177777- 0100000- 0077777- 0000000-	W7

*NOTE: JUMPERS W1, W3, AND W5
ARE ALWAYS INSERTED;
JUMPERS W2, W4, AND W6
ARE NEVER INSERTED.

NOVA 4/S MEMORY BOARD SELECT JUMPERS

ADDRESS RANGE	JUMPERS INSERTED* BOARD SIZE
0077777- 0040000- 0037777- 0000000-	W7 W9 64 KBYTES

*NOTE: JUMPERS W1, W3, AND W5
ARE ALWAYS INSERTED;
JUMPERS W2, W4, AND W6
ARE NEVER INSERTED.

SYSTEMS SHOULD BE CONFIGURED WITH THE LARGER BOARDS
OCCUPYING THE LOWER MEMORY ADDRESS RANGES.

MEMORY LOADS

VOLTAGE	DESCRIPTION	CURRENT DRAW
+5V	SYSTEM WITH BATTERY BACKUP	4.4A
+5V MEM		1.2A
+12V MEM	FIRST BOARD IN CHASSIS	2.3A
+12V MEM	EACH ADDITIONAL BOARD	0.3A

01300040
BRUNING 40 526 279/8

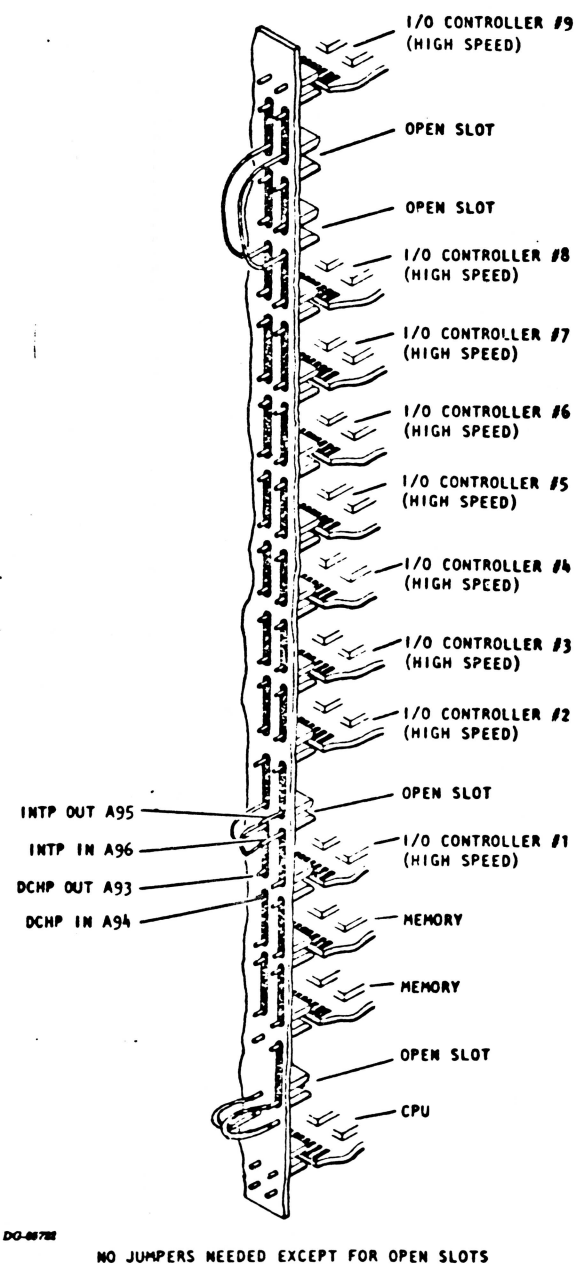
THIS DRAWING AND SPECIFICATIONS HEREIN ARE THE
PROPERTY OF DATA GENERAL CORPORATION AND SHALL
NOT BE REPRODUCED OR TRANSMITTED IN ANY FORM OR
BY ANY MEANS, ELECTRONIC OR MECHANICAL, INCLUDING
PHOTOCOPYING, RECORDING, OR BY ANY INFORMATION
RETRIEVAL SYSTEM, WITHOUT WRITTEN PERMISSION.

REV	DATE	ENGINEER	CHECKED	APPROVED	FIRST USED ON	CODE IDENT 34984
ECO						
LPP						

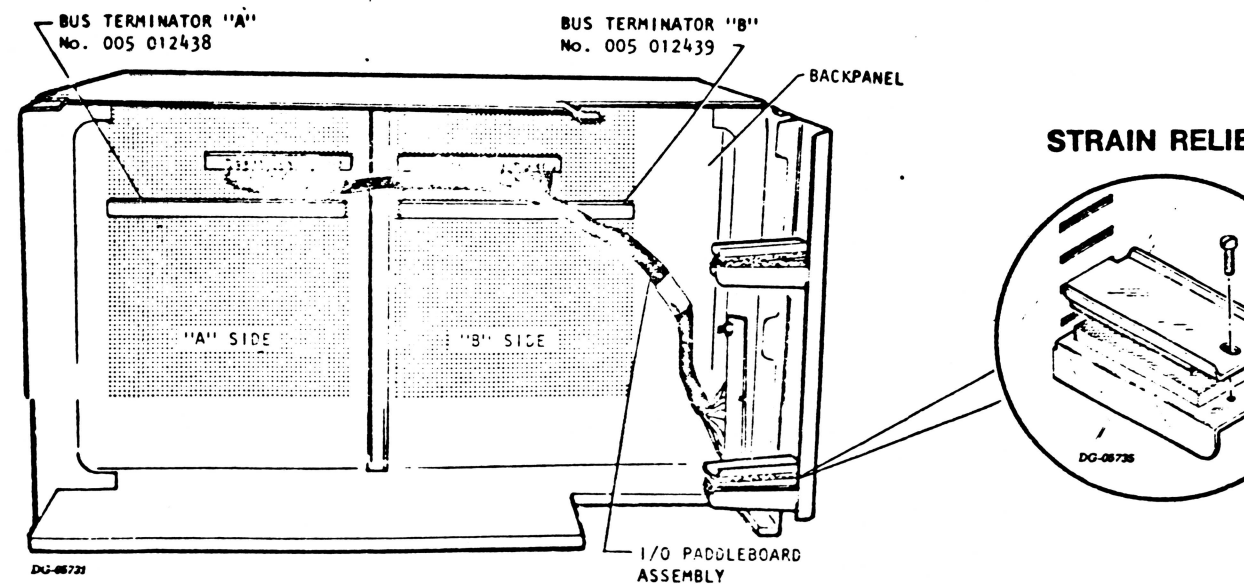
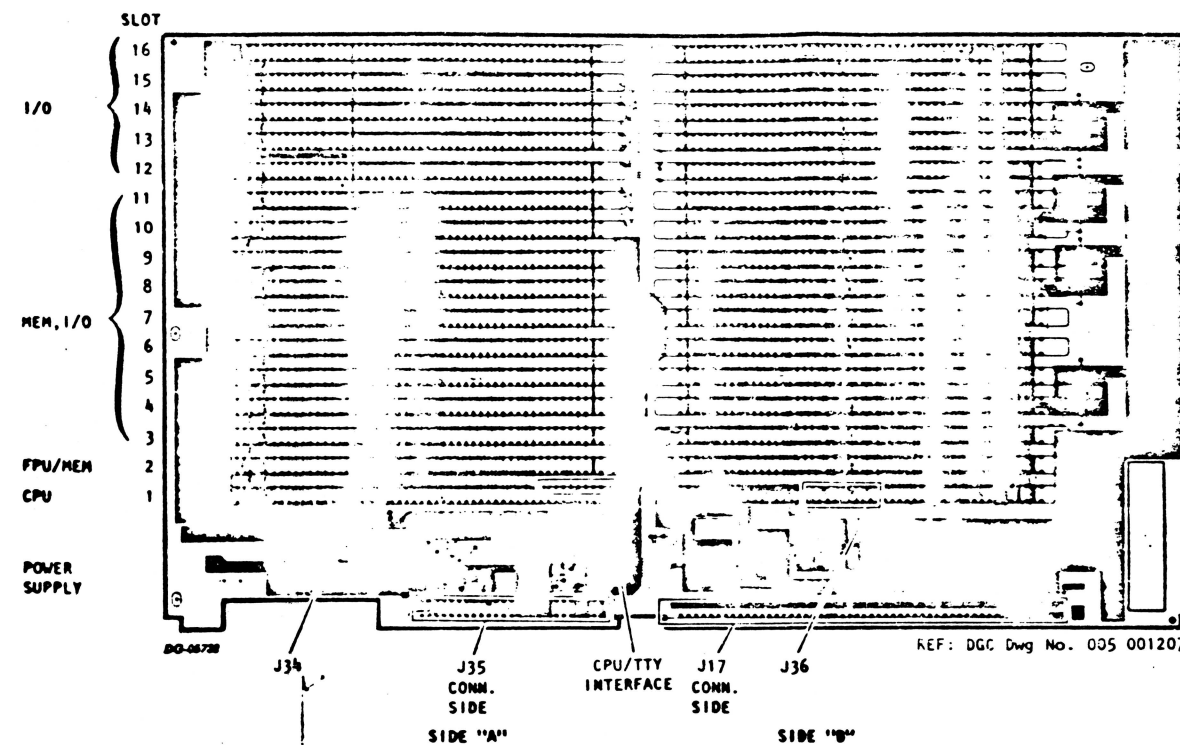
INSTALLATION DATA SHEETS
CS/50
SERIES

DATA GENERAL CORPORATION
WESTBORO, MASSACHUSETTS 01581
SIZE C 010
DRAWING NUMBER 000247
REV 00

**TAILORING (CONT)
BACKPANEL JUMPERING**



**INTERNAL CABLING
BACKPANEL CONNECTORS**



013 000840
REV. 40 526 27928

THIS DRAWING AND SPECIFICATIONS HEREIN ARE THE PROPERTY OF DATA GENERAL CORPORATION AND SHALL NOT BE REPRODUCED OR TRANSMITTED IN ANY FORM OR BY ANY MEANS, ELECTRONIC OR MECHANICAL, INCLUDING PHOTOCOPYING, RECORDING, OR BY ANY INFORMATION STORAGE AND RETRIEVAL SYSTEM, WITHOUT WRITTEN PERMISSION.

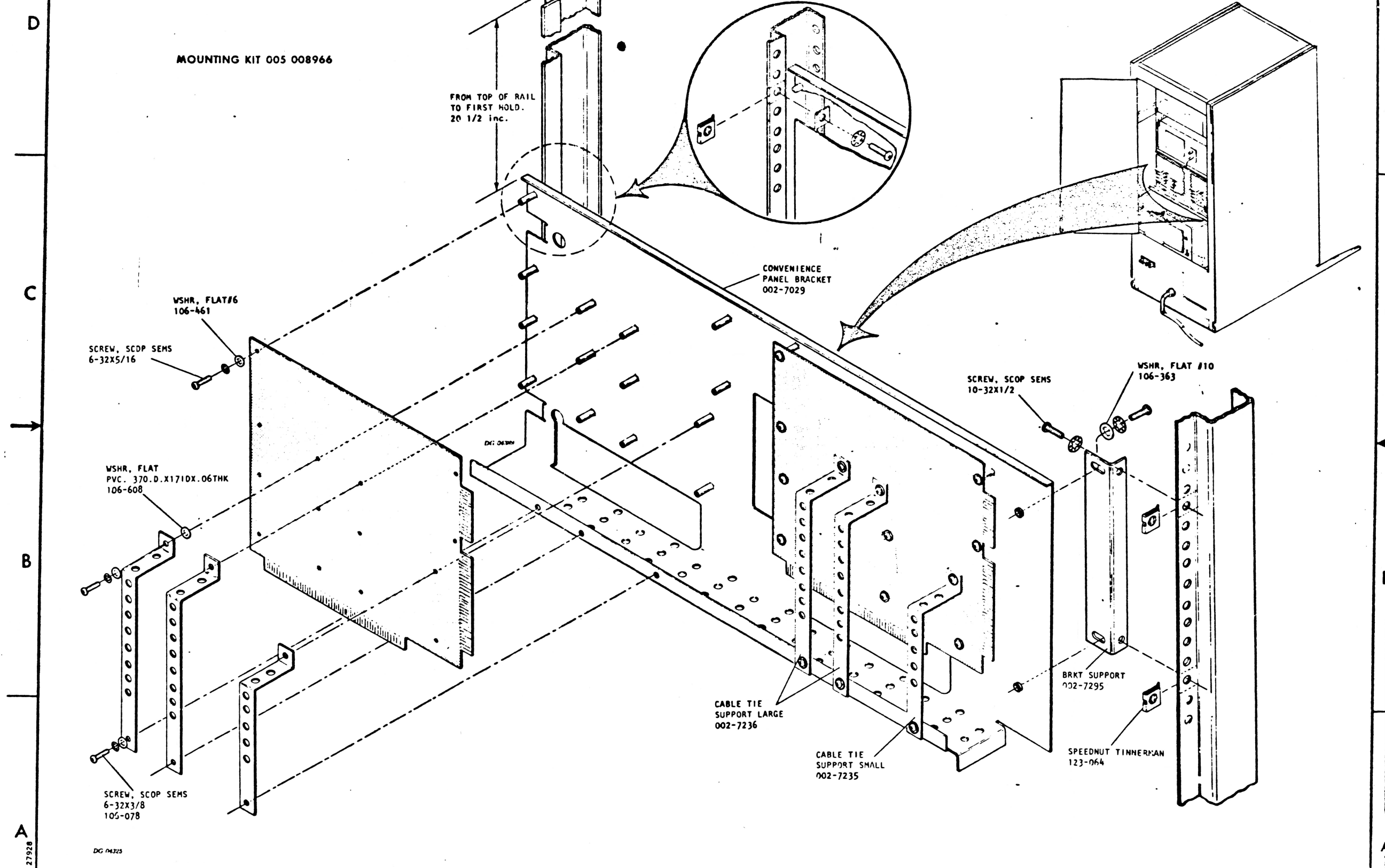
REV	ECO	APP	DATE	DRAWN	CHECKED	ENGINEER	APPROVED	FIRST USED ON	CODE IDENT
									34964

INSTALLATION DATA SHEET
CS/30
SERIES

DATA GENERAL CORPORATION
WESTBORO MASSACHUSETTS 01581

SIZE	C	TYPE	0101	CREATED NUMBER	000247	REV	00
------	---	------	------	----------------	--------	-----	----

INSTALLATION IN A CABINET CONVENIENCE PANEL



013-000840 BRUNING 40 526 27928	REV	DRAWN	APPROVED	TITLE INSTALLATION DATA SHEETS CS/50 SERIES	DATA GENERAL CORPORATION WESTBORO, MASSACHUSETTS 01581
	ECO	CHECKED	FIRST USED ON		
	APP	ENGINEER	CCDE IDENT 34984		
	DATE				
THIS DRAWING AND SPECIFICATIONS HEREIN ARE THE PROPERTY OF DATA GENERAL CORPORATION AND SHALL NOT BE REPRODUCED OR COPIED OR USED IN WHOLE OR IN PART AS THE BASIS FOR MANUFACTURE OR SALE OF ITEMS WITHOUT WRITTEN PERMISSION.				SIZE C 010 DRAWING NUMBER 000247 REV 00	

