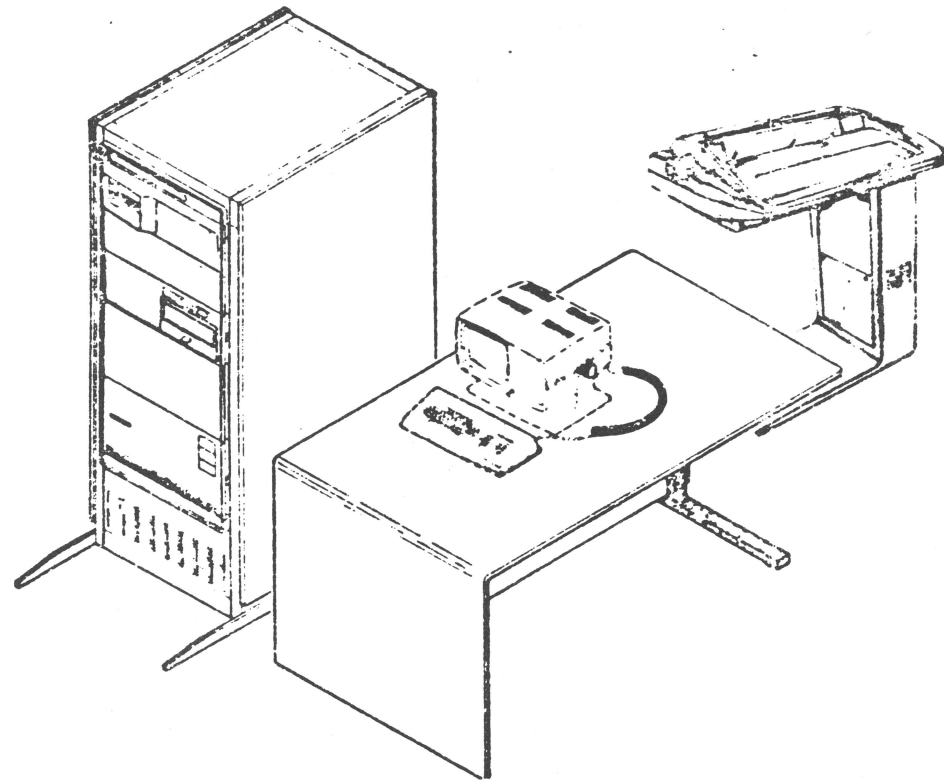


SUBSYSTEM COMPONENT BREAKDOWN

**MODELS 9231**  
(ONE BAY SYSTEM SHOWN)



MAJOR COMPONENT

Component	Mounting Location	Notes
CS/50	FREE STANDING	
NOVA 4/X	CABINET	
CARTRIDGE DISC 6070	CABINET	SEE 010-000192
DISKETTE 6031	CABINET	SEE 010-000064
TABLE	FREE STANDING	OPTIONAL
DASHER DISPLAY	FREE STANDING	SEE 010-000098 or 010-000215 or 010-000235 or 010-000241
DASHER PRINTER	FREE STANDING	SEE 010-000094 or 010-000214 or 010-000195

CABLE

Cable	Connecting	Max Allowed Lg		Notes
		ft	m	
DEVICE CABLE	VIDEO DISPLAY and CPU	2000	70	USED ON 6053-D*
DEVICE CABLE (CURRENT LOOP)	VIDEO DISPLAY " CONV. PANEL	2000	70	USED ON 6053-G*
DEVICE CABLE (EIA)	VIDEO DISPLAY " FULL DUPLEX MODEM	50	15.3	USED ON 6053-J*
DEVICE CABLE (CURRENT LOOP)	DASHER PRINTER " CONV. PANEL	2000	70	USED ON 6041-G**
DEVICE CABLE (EIA)	DASHER PRINTER " FULL DUPLEX MODEM	50	15.3	USED ON 6041-J**
DEVICE CABLE	300 LPM PRINTER " CONV. PANEL	15	4.6	USED ON 9125
DEVICE CABLE	240 LPM PRINTER " CONV. PANEL	15	4.6	USED ON 9128
DEVICE CABLE	MATRIX PRINTER " CONV. PANEL	25	7.4	9129
DEVICE CABLE	SYNCHRONOUS MODEM " CONV. PANEL	50	15.3	1084G
INTERDEVICE CABLE	SES COMBO BOARD " CONV. PANEL	8	2.5	
INTERDEVICE CABLE	SLM BOARD " CONV. PANEL	8	2.5	
DEVICE CABLE	ASYNCHRONOUS MODEM " CONV. PANEL	50	15.3	1084G
DEVICE CABLE	INTERNATIONAL MODEM " CONV. PANEL	50	15.3	1084G

\*ALSO 6093 & 6120  
\*\*ALSO 6076

CIB 02010  
REVISED 06/76 27828

THIS DRAWING AND SPECIFICATIONS ARE THE PROPERTY OF DATA GENERAL CORPORATION. NO REPRODUCTION OR TRANSMISSION IN ANY FORM OR BY ANY MEANS, ELECTRONIC OR MECHANICAL, INCLUDING PHOTOCOPYING, RECORDING, OR BY ANY INFORMATION STORAGE AND RETRIEVAL SYSTEM, IS PERMITTED WITHOUT THE WRITTEN PERMISSION OF DATA GENERAL CORPORATION.

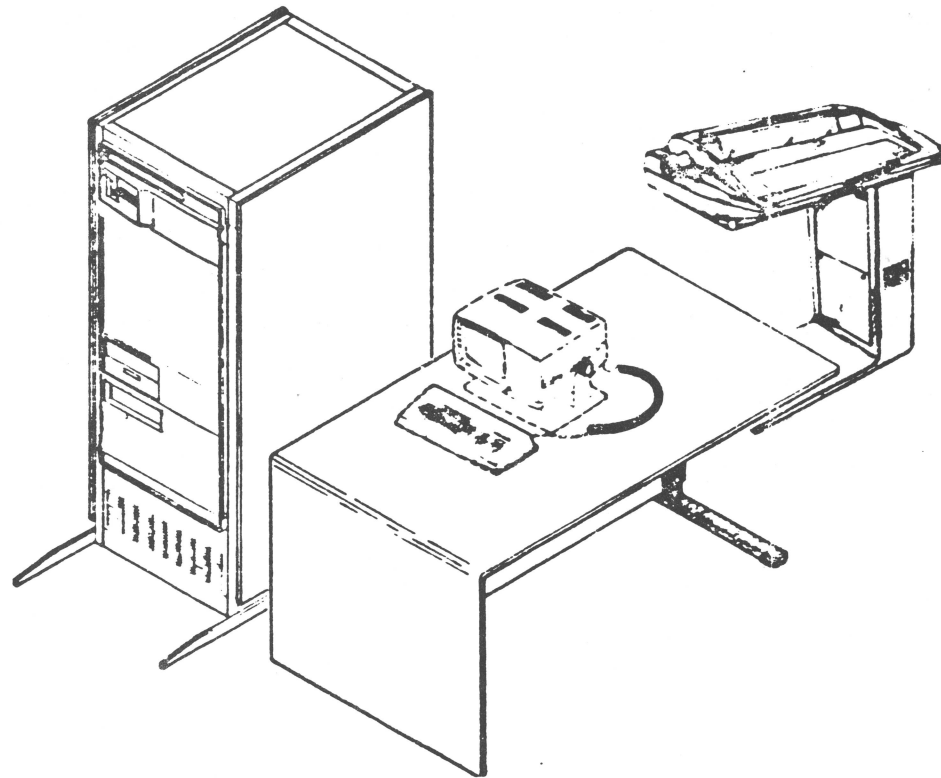
REV	DATE	DESCRIPTION

INSTALLATION DATA SHEETS  
CS/50  
SERIES

DATA GENERAL CORPORATION  
100 TOWN CENTER DRIVE  
FRAMINGHAM, MASSACHUSETTS 01901  
C 010 000247 00

# SUBSYSTEM COMPONENT BREAKDOWN

## MODELS 9233, 9234 (ONE BAY SYSTEM SHOWN)



### MAJOR COMPONENT

Component	Mounting Location	Notes
CS/50	FREE STANDING	
NOVA 4/X	CABINET	
6098 or 6100 DISC UNIT	CABINET	SEE 010-000221 or 010-000223
TABLE	FREE STANDING	OPTIONAL
DASHER DISPLAY	FREE STANDING	SEE 010-000098 or 010-000215 or 010-000235 or 010-000241
DASHER PRINTER	FREE STANDING	SEE 010-000094 or 010-000214 or 010-000195

### CABLE

Cable	Connecting	Max Allowed Lg		Notes
		ft	m	
DEVICE CABLE	VIDEO DISPLAY and CPU	2000	70	USED ON 6053-D*
DEVICE CABLE (CURRENT LOOP)	VIDEO DISPLAY = CONV. PANEL	2000	70	USED ON 6053-G*
DEVICE CABLE (EIA)	VIDEO DISPLAY = FULL DUPLEX MODEM	50	15.3	USED ON 6053-J*
DEVICE CABLE (CURRENT LOOP)	DASHER PRINTER = CONV. PANEL	2000	70	USED ON 6041-G**
DEVICE CABLE (EIA)	DASHER PRINTER = FULL DUPLEX MODEM	50	15.3	USED ON 6041-J**
DEVICE CABLE	300 LPM PRINTER = CONV. PANEL	15	4.6	USED ON 9125
DEVICE CABLE	240 LPM PRINTER = CONV. PANEL	15	4.6	USED ON 9128
DEVICE CABLE	MATRIX PRINTER = CONV. PANEL	25	7.4	USED ON 9129
DEVICE CABLE	SYNCHRONOUS MODEM = CONV. PANEL	50	15.3	1084G
INTERDEVICE CABLE	SBS COMBO BOARD = CONV. PANEL	8	2.5	
INTERDEVICE CABLE	SLM BOARD = CONV. PANEL	8	2.5	
DEVICE CABLE	ASYNCHRONOUS MODEM = CONV. PANEL	50	15.3	1084G
DEVICE CABLE	INTERNATIONAL MODEM = CONV. PANEL	50	15.3	1084G

\*ALSO 6093 & 6120  
\*\*ALSO 6076

013006840  
PRINTING 40 528 27926

THIS DRAWING AND SPECIFICATIONS HEREIN ARE THE PROPERTY OF DATA GENERAL CORPORATION AND SHALL NOT BE REPRODUCED OR COPIED IN WHOLE OR IN PART AS THE BASIS FOR MANUFACTURE OR SALE OF ITEMS WITHOUT WRITTEN PERMISSION.

REV	DRAWN	APPROVED
ECO	CHECKED	FIRST USED ON
APP	ENGINEER	CODE IDENT 34984
DATE		

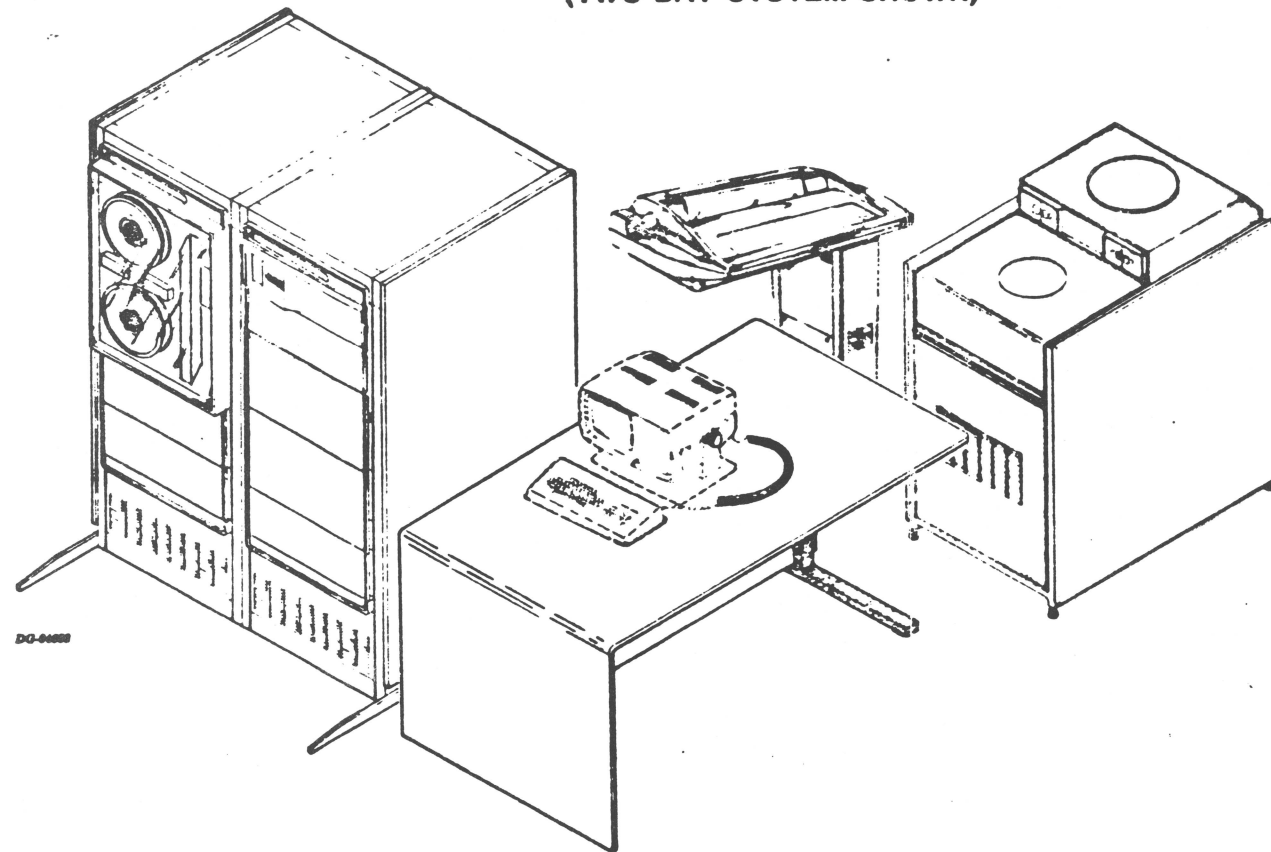
INSTALLATION DATA SHEETS  
CS/50  
SERIES

DATA GENERAL CORPORATION  
WESTBORO, MASSACHUSETTS 01581  
SITE CODE: C 1010  
DRAWING NUMBER: 000247  
REV: 00

## SUBSYSTEM COMPONENT BREAKDOWN (CONT)

**MODELS 9235, 9236, 9237**

**(TWO BAY SYSTEM SHOWN)**



### MAJOR COMPONENT

Component	Mounting Location	Notes
CS/50	FREE STANDING	
NOVA 4/X	CABINET	
MAGTAPE 6021 or 6026	CABINET	SEE 010-000113 or 010-000197
TABLE	FREE STANDING	OPTIONAL
DASHER DISPLAY	FREE STANDING	SEE 010-000098 or 010-000215 or 010-000235 or 010-000241
DASHER PRINTER	FREE STANDING	SEE 010-000094 or 010-000214 or 010-000195
50/96/190 MB DISC DRIVE	FREE STANDING	SEE 010-000107 or 010-000200

### CABLE

Cable	Connecting		Max Allowed Lg		Notes
			ft	m	
DEVICE CABLE	VIDEO DISPLAY	and CPU	2000	70	USED ON 6053-D*
DEVICE CABLE (CURRENT LOOP)	VIDEO DISPLAY	" CONV. PANEL	2000	70	USED ON 6053-G*
DEVICE CABLE	VIDEO DISPLAY	" FULL DUPLEX MODEM	50	15.3	USED ON 6053-J*
DEVICE CABLE (CURRENT LOOP)	DASHER PRINTER	" CONV. PANEL	2000	70	USED ON 6041-G**
DEVICE CABLE (EIA)	DASHER PRINTER	" CONV. PANEL	50	15.3	USED ON 6041-J**
DEVICE CABLE	300 LPM PRINTER	" CONV. PANEL	15	4.6	USED ON 9125
DEVICE CABLE	240 LPM PRINTER	" CONV. PANEL	15	4.6	USED ON 9128
DEVICE CABLE	MATRIX PRINTER	" CONV. PANEL	25	7.4	9126
DEVICE CABLE	SYNCHRONOUS MODEM	" CONV. PANEL	50	15.3	1084G
DEVICE CABLE	INTERNATIONAL MODEM	" CONV. PANEL	50	15.3	1084G
DEVICE CABLE	50/96/190 MB DISC DRIVE	" ADAPTER	50	15.3	
INTERDEVICE CABLE	SBS COMBO BOARD	" CONV. PANEL	8	2.5	
INTERDEVICE CABLE	SLM BOARD	" CONV. PANEL	8	2.5	
INTERDEVICE CABLE	ASYNCHRONOUS MODEM	" CONV. PANEL	8	2.5	1084G

\* ALSO 6093 & 6120  
\*\* ALSO 6076

013 000840  
BRUNING 40 526 27928

THIS DRAWING AND SPECIFICATIONS HEREIN ARE THE PROPERTY OF DATA GENERAL CORPORATION AND SHALL NOT BE REPRODUCED OR COPIED OR USED IN WHOLE OR IN PART AS THE BASIS FOR MANUFACTURE OR SALE OF ITEMS WITHOUT WRITTEN PERMISSION.

REV	DATE	APP	CHKD	ENGR	DRWN	APPRD
ECO						

ENGINEER	CODE IDENT J4984
FIRST USED ON	

TITLE  
**INSTALLATION DATA SHEETS**  
CS/50  
SERIES

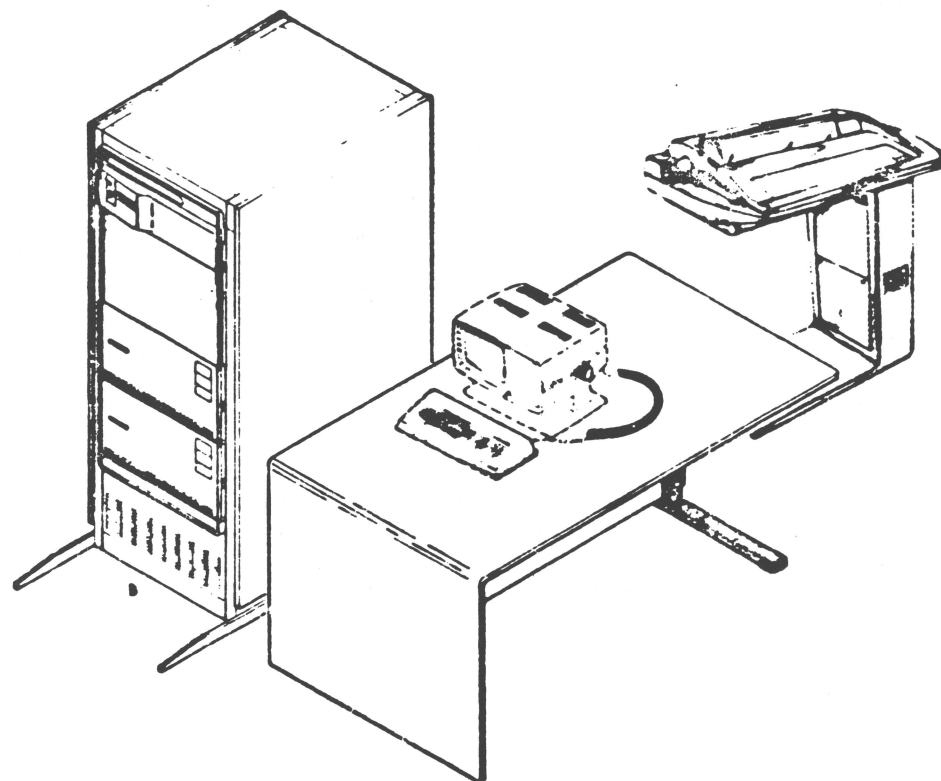
**DATA GENERAL CORPORATION**  
WESTBORO MASSACHUSETTS 01581

SHEET C 010 OF 010  
REV 00  
000247

# SUBSYSTEM COMPONENT BREAKDOWN

## MODEL 9238

(ONE BAY SYSTEM SHOWN)



### MAJOR COMPONENT

Component	Mounting Location	Notes
CS/50	FREE STANDING	
NOVA 4/S	CABINET	
6070 DISC	CABINET	SEE 010-000192
TABLE	FREE STANDING	OPTIONAL
DASHER DISPLAY	FREE STANDING	SEE 010-000098 or 010-000215 or 010-000235 or 010-000241
DASHER PRINTER	FREE STANDING	SEE 010-000094 or 010-000214 or 010-000195

### CABLE

Cable	Connecting	Max Allowed Lg		Notes
		ft	m	
DEVICE CABLE	VIDEO DISPLAY and CPU	2000	70	USED ON 6053-D*
DEVICE CABLE (CURRENT LOOP)	VIDEO DISPLAY = CONV. PANEL	2000	70	USED ON 6053-G*
DEVICE CABLE (EIA)	VIDEO DISPLAY = FULL DUPLEX MODEM	50	15.3	USED ON 6053-J**
DEVICE CABLE (CURRENT LOOP)	DASHER PRINTER = CONV. PANEL	2000	70	USED ON 6041-G**
DEVICE CABLE (EIA)	DASHER PRINTER = FULL DUPLEX MODEM	50	15.3	USED ON 6041-J**
DEVICE CABLE	300 LPM PRINTER = CONV. PANEL	15	4.6	USED ON 9125
DEVICE CABLE	240 LPM PRINTER = CONV. PANEL	15	4.6	USED ON 9128
DEVICE CABLE	MATRIX PRINTER = CONV. PANEL	25	7.4	9129
DEVICE CABLE	SYNCHRONOUS MODEM = CONV. PANEL	50	15.3	1084g
INTERDEVICE CABLE	SBS COMBO BOARD = CONV. PANEL	8	2.5	
INTERDEVICE CABLE	SLM BOARD = CONV. PANEL	9	2.5	
DEVICE CABLE	ASYNCHRONOUS MODEM = CONV. PANEL	50	15.3	1084g
DEVICE CABLE	INTERNATIONAL MODEM = CONV. PANEL	50	15.3	1084g

\* ALSO 6093 & 6120  
\*\* ALSO 6076

A

013-00840  
REV. 10-74 40 526 27928

THIS DRAWING AND SPECIFICATIONS HEREIN ARE THE PROPERTY OF DATA GENERAL CORPORATION AND SHALL NOT BE REPRODUCED OR COPIED OR USED IN WHOLE OR IN PART AS THE BASIS FOR MANUFACTURE OR SALE OF ITEMS WITHOUT WRITTEN PERMISSION.				REV	DRAWN	APPROVED	TITLE	DATA GENERAL CORPORATION
ECO	CHECKED	FIRST USED ON	INSTALLATION DATA SHEETS	WESTBORD MASSACHUSETTS 01581				
APP	ENGINEER	CODE IDENT 34984	CS/50					
DATE			SERIES	SIZE C 1010				
				DRAWING NUMBER 000247				
				REV 00				

4

3

2

1

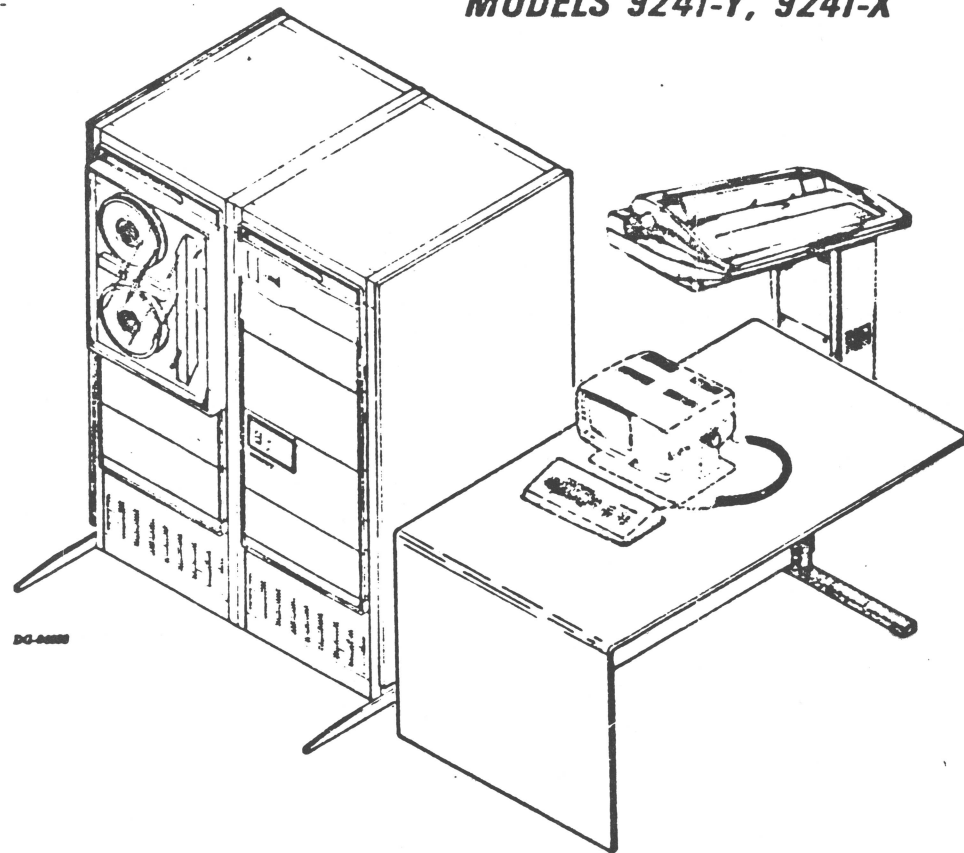
SHEET 4 OF 25



# SUBSYSTEM COMPONENT BREAKDOWN (CONT)

(TWO BAY SYSTEM SHOWN)

MODELS 9241-Y, 9241-X



### MAJOR COMPONENT

Component	Mounting Location	Notes
CS/50	FREE STANDING	
NOVA 4/5	CABINET	
MAGTAPE 6021 or 6026	CABINET	SEE 010-000113 or 010000197
TABLE	FREE STANDING	OPTIONAL
DASHER DISPLAY	FREE STANDING	SEE 010-000098 or 010-000241
DASHER PRINTER	FREE STANDING	SEE 010-000094
DISC 6103	CABINET	SEE 010-000225

### CABLE

Cable	Connecting	Max Allowed Lg		Notes
		ft	m	
DEVICE CABLE	VIDEO DISPLAY and CONV. PANEL	2000	70	USED ON 6053-D*
DEVICE CABLE (CURRENT LOOP)	VIDEO DISPLAY " CONV. PANEL	2000	70	USED ON 6053-G*
DEVICE CABLE	VIDEO DISPLAY " FULL DUPLEX MODEM	50	15.3	USED ON 6053-J**
DEVICE CABLE (CURRENT LOOP)	DASHER PRINTER " CONV. PANEL	2000	70	USED ON 6041-G**
DEVICE CABLE (EIA)	DASHER PRINTER " FULL DUPLEX MODEM	50	15.3	USED ON 6041-J**
DEVICE CABLE	300 LPM PRINTER " CONV. PANEL	15	4.6	USED ON 9125
DEVICE CABLE	240 LPM PRINTER " CONV. PANEL	15	4.6	USED ON 9128
DEVICE CABLE	MATRIX PRINTER " CONV. PANEL	25	7.4	9129
DEVICE CABLE	SYNCHRONOUS MODEM " CONV. PANEL	50	15.3	1084G
INTERDEVICE CABLE	SBS COMBO BOARD " CONV. PANEL	8	2.5	
INTERDEVICE CABLE	SLM BOARD " CONV. PANEL	8	2.5	
INTERDEVICE CABLE	ASYNCHRONOUS MODEM " CONV. PANEL	8	2.5	1084G
DEVICE CABLE	INTERNATIONAL MODFM " CONV. PANEL	50	2.5	1084G

\*ALSO 6093 & 6120  
\*\*ALSO 6076

013 081640  
BRUNING 40 926 27928

THIS DRAWING AND SPECIFICATIONS HEREIN ARE THE PROPERTY OF DATA GENERAL CORPORATION AND SHALL NOT BE REPRODUCED OR COPIED IN WHOLE OR IN PART AS THE BASIS FOR MANUFACTURE OR SALE OF ITEMS WITHOUT WRITTEN PERMISSION

REV		DRAWN		APPROVED	
ECO		CHECKED		FIRST USED ON	
APP		ENGINEER		CODE IDENT	34984
DATE					

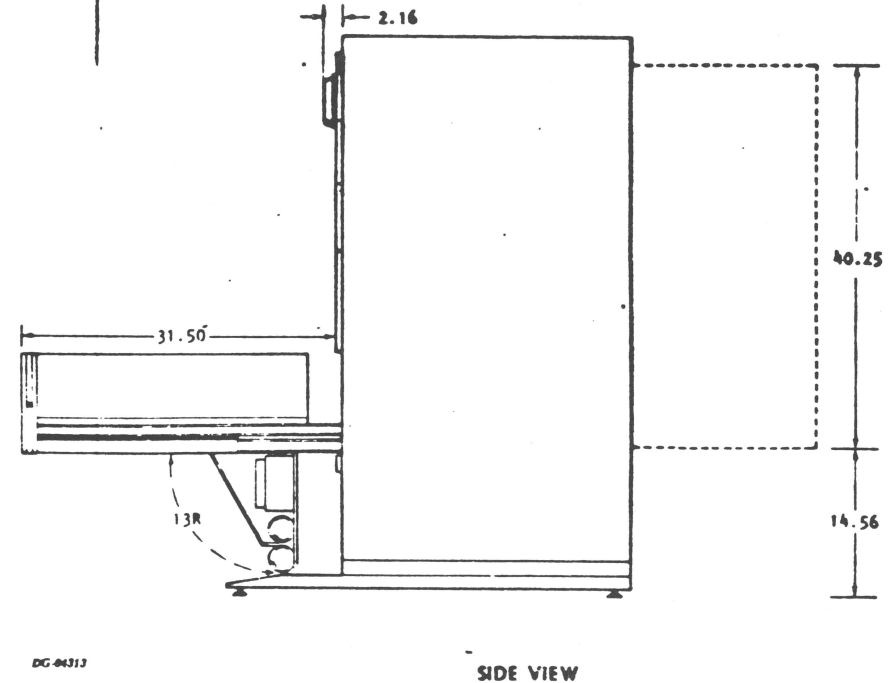
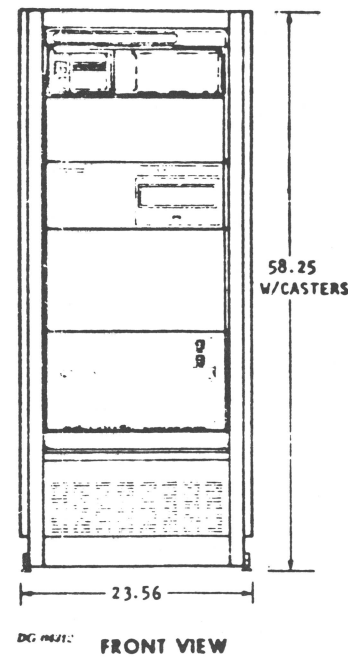
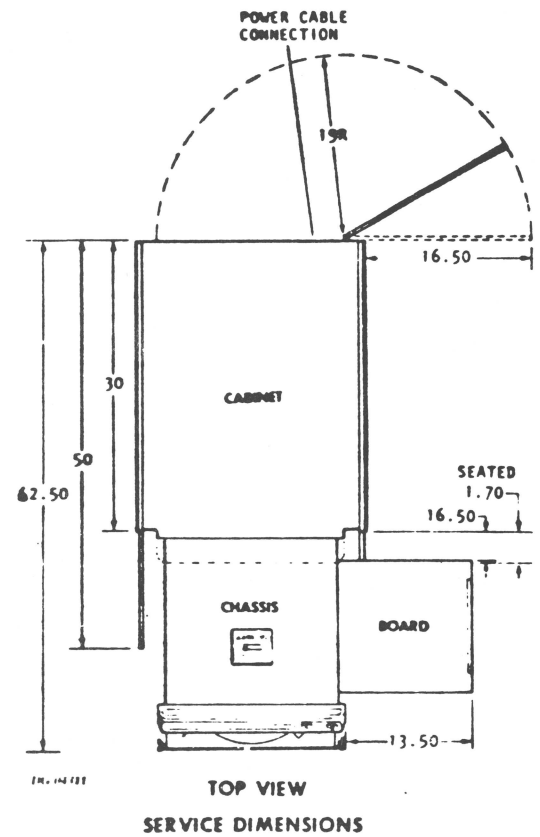
INSTALLATION DATA SHEETS  
CS/50  
SERIES

**DATA GENERAL CORPORATION**  
WESTBORO, MASSACHUSETTS 01581  
SIZE: C 010  
DRAWING NUMBER: 000247  
REV: 00

# SPECIFICATIONS OF FREE-STANDING COMPONENTS

No Bays	PRIMARY POWER REQUIRED FOR CABINET										WEIGHT		COOLING UNIT				
	POWER					CORD SUPPLIED		WALL RECEPTACLE REQ'D			BTU/Hr.	GROSS, FULLY LOADED		POWER			
	Volts	Hz	Phase	Conduc-tors	Amps	Cable Length ft/in	Cable Connector Nema	Power Drop Nema	Wall Receptacle Nema	Total lb/kg		Per Bay lb/kg	No Units	Volt	Hz	Amp	Watts
1	240 Vac	60	1	3 W/G	40	9/2.74	14-50P	14-50R	14-50R	6,000	565/254	565/254	1	120	60	1.5	140
2	240 Vac	60	1	3 W/G	40	9/2.74	14-50P	14-50R	14-50R	10,600	1090/492	525/238	2	120	60	1.5	140
3	240 Vac	60	1	3 W/G	40	9/2.74	14-50P	14-50R	14-50R	16,500	1615/730	525/238	3	120	60	1.5	140
1	230Vac	50	1	2 W/G	40	9/2.74				6,000	565/254	565/254	1	230	50	0.75	140
2	230Vac	50	1	2 W/G	40	9/2.74				10,600	1090/492	525/238	2	230	50	0.75	140
3	230Vac	50	1	2 W/G	40	9/2.74				16,500	1615/730	525/238	3	230	50	0.75	140

## SINGLE BAY CABINET MODEL 9231



ALL DIMENSIONS IN INCHES

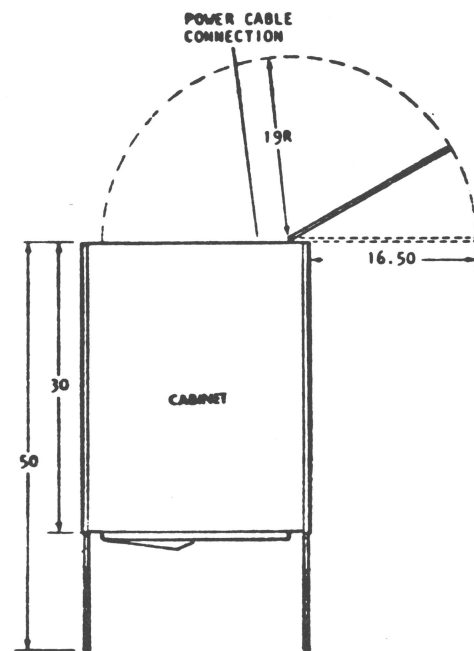
013 000840  
BRUNING 40-526 27928

THIS DRAWING AND SPECIFICATIONS HEREIN ARE THE PROPERTY OF DATA GENERAL CORPORATION AND SHALL NOT BE REPRODUCED OR COPIED OR USED IN WHOLE OR IN PART AS THE BASIS FOR MANUFACTURE OR SALE OF ITEMS WITHOUT WRITTEN PERMISSION.	REV	DRAWN	APPROVED	TITLE	DATA GENERAL CORPORATION
ECO	CHECKED	FIRST USED ON	INSTALLATION DATA SHEETS CS/50 SERIES		WESTBORO MASSACHUSETTS 01581
APP	ENGINEER	CODE IDENT 34984			SIZE C 010
DATE					SHEET 7 OF 25

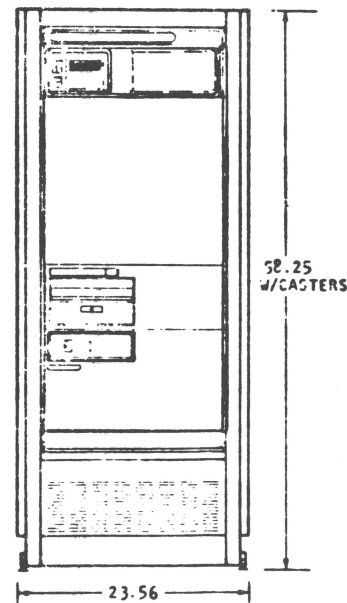
# SPECIFICATIONS OF FREE-STANDING COMPONENTS

No Bays	PRIMARY POWER REQUIRED FOR CABINET										WEIGHT		COOLING UNIT				
	POWER					CORD SUPPLIED		MATING RECEPTACLE REQ'D			BTU/Hr	GROSS, FULLY LOADED		POWER			
	Volts	Hz	Phase	Conduc-tors	Amps	Cable Length ft/in	Cable Connector Nema	Power Drop Nema	Wall Receptacle Nema	Total lb/kg		Per Bay lb/kg	No Units	Volt	Hz	Amp	Watts
1	240 Vac	60	1	3 W/G	40	9/2.74	14-50P	14-50R	14-50R	6,000	565/254	565/254	1	120	60	1.5	140
2	240 Vac	60	1	3 W/G	40	9/2.74	14-50P	14-50R	14-50R	10,600	1090/492	525/238	2	120	60	1.5	140
3	240 Vac	60	1	3 W/G	40	9/2.74	14-50P	14-50R	14-50R	16,500	1615/730	525/238	3	120	60	1.5	140
1	230Vac	50	1	2 W/G	40	9/2.74				6,000	565/254	565/254	1	230	50	0.75	140
2	230Vac	50	1	2 W/G	40	9/2.74				10,600	1090/492	525/238	2	230	50	0.75	140
3	230Vac	50	1	2 W/G	40	9/2.74				16,500	1615/730	525/238	3	230	50	0.75	140

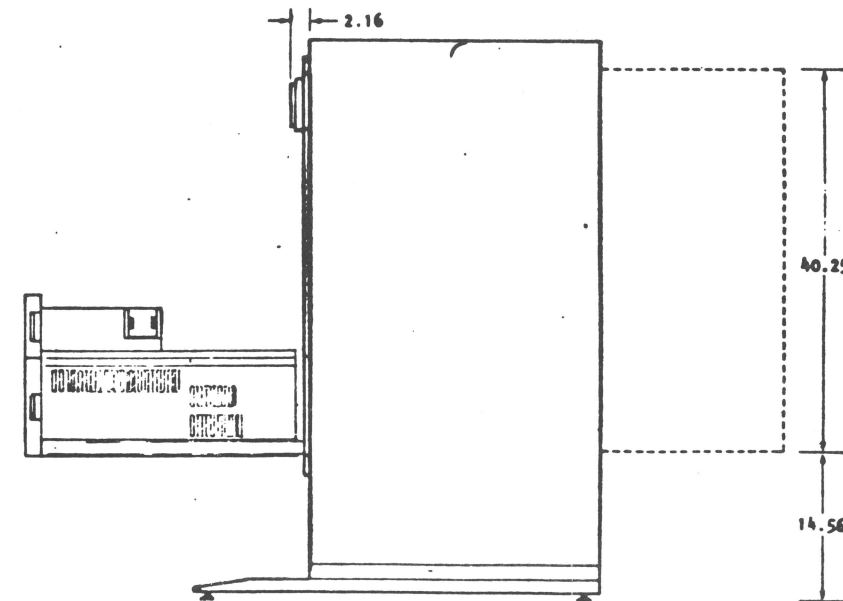
## SINGLE BAY CABINET MODELS 9233, 9234



TOP VIEW



FRONT VIEW



SIDE VIEW

013-000840  
BRUNING 40-526 27928

THIS DRAWING AND SPECIFICATIONS HEREIN ARE THE PROPERTY OF DATA GENERAL CORPORATION AND SHALL NOT BE REPRODUCED OR FOR TO BE USED IN WHOLE OR IN PART AS THE BASIS FOR MANUFACTURE OR SALE OF ITEMS WITHOUT WRITTEN PERMISSION.

REV		DRAWN		APPROVED	
ECO		CHECKED		FIRST USED ON	
APP		ENGINEER		CODE IDENT	34964
DATE					

TITLE  
**INSTALLATION DATA SHEETS**  
CS/50  
SERIES

**DATA GENERAL CORPORATION**  
WALTHAM, MASSACHUSETTS 01981

DRAWING NO.	REV.
C 010	000247
00	

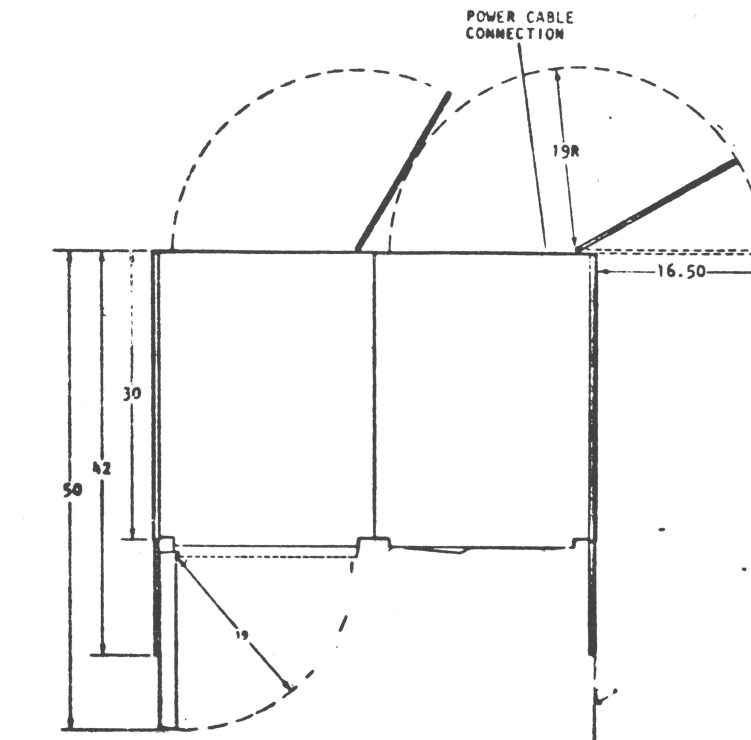


4 3 2 1

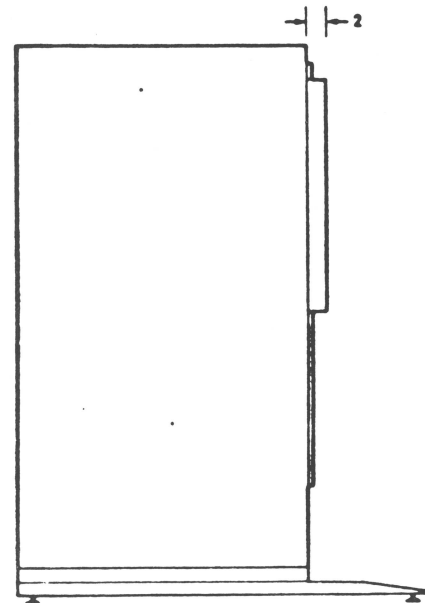
**SPECIFICATIONS OF FREE-STANDING COMPONENTS (CONT)**

**TWO BAY CABINET**

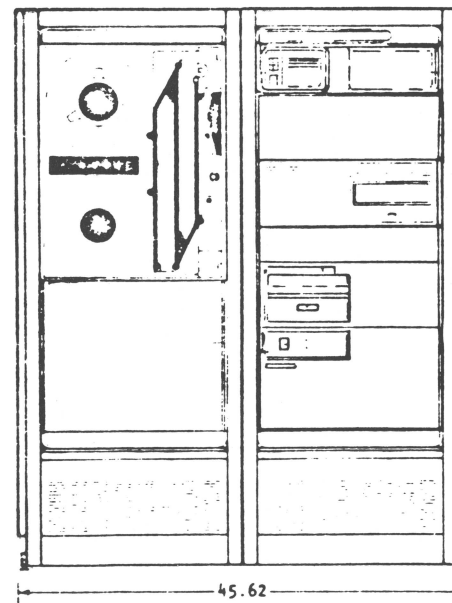
**MODELS 9235, 9236, 9237**



**TOP VIEW  
SERVICE DIMENSIONS**

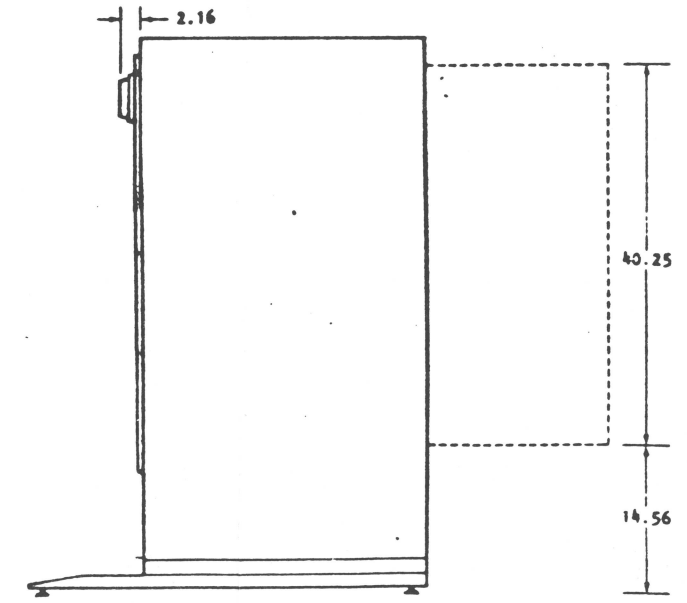


**SIDE VIEW**



**FRONT VIEW**

\* OPTIONAL



**SIDE VIEW**

ALL DIMENSIONS IN INCHES

013 640040  
 BRUNING 40 526 27828

THIS DRAWING AND SPECIFICATIONS HEREIN ARE THE PROPERTY OF DATA GENERAL CORPORATION AND SHALL NOT BE REPRODUCED OR COPIED OR USED IN WHOLE OR IN PART AS THE BASIS FOR MANUFACTURE OR SALE OF ITEMS WITHOUT WRITTEN PERMISSION.

REV	ECO	APP	DATE

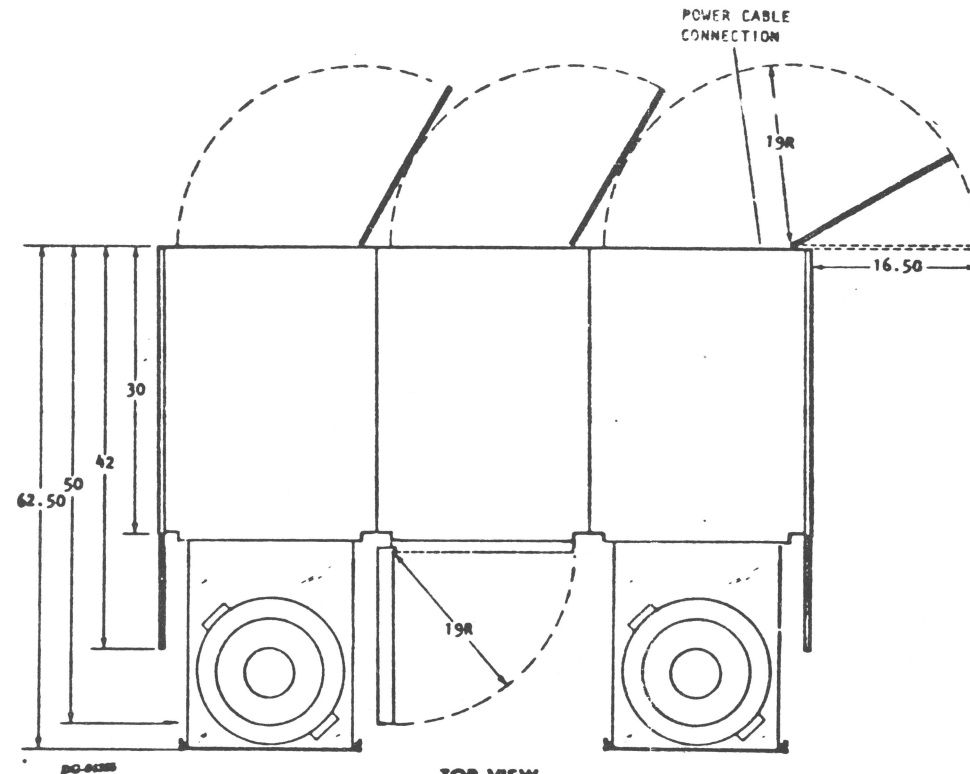
DRAWN	APPROVED
CHECKED	FIRST USED ON
ENGINEER	CODE IDENT 34984

TITLE  
**INSTALLATION DATA SHEETS**  
 CS/50  
 SERIES

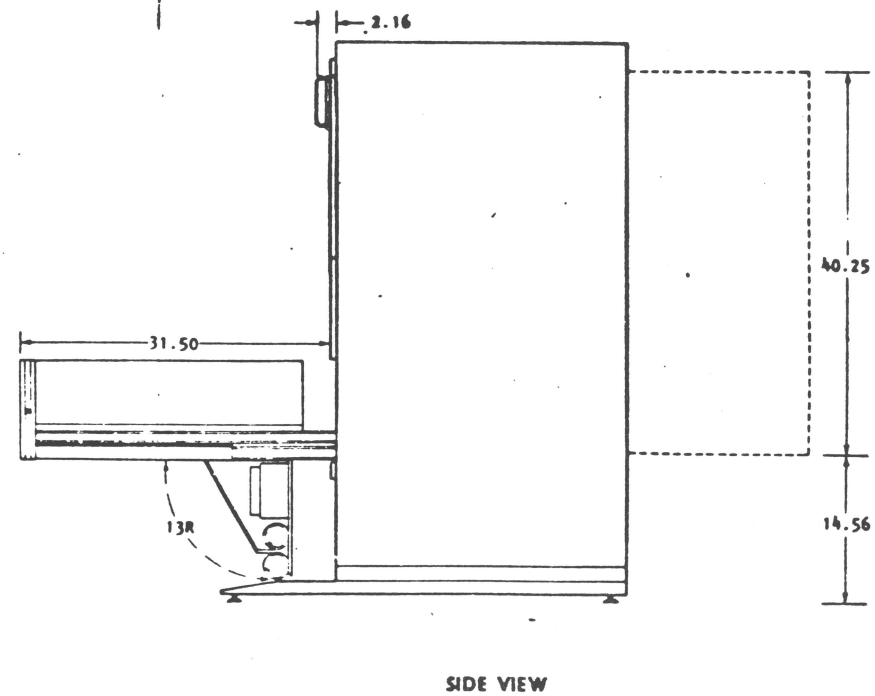
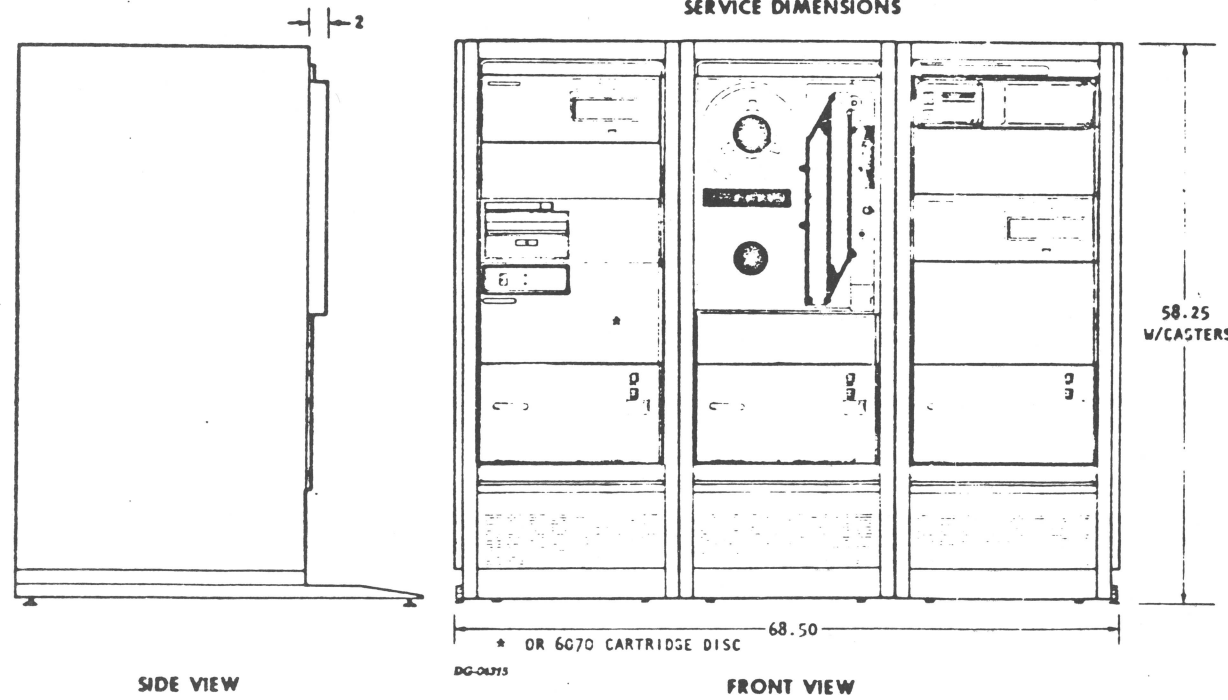
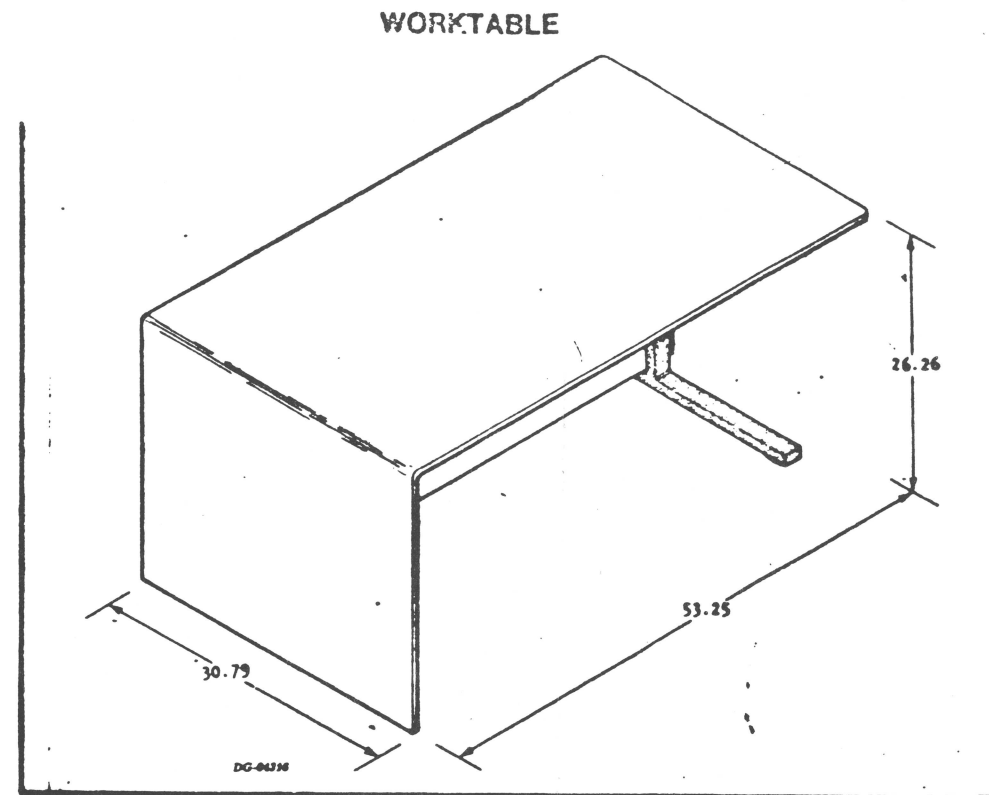
DATA GENERAL CORPORATION			
WESTBORO, MASSACHUSETTS 01581			
SIZE	CODE	DRAWING NUMBER	REV
C	010	000247	00

SPECIFICATIONS OF FREE-STANDING COMPONENTS (Cont)

THREE BAY CABINET MODELS 9231



TOP VIEW  
SERVICE DIMENSIONS



ALL DIMENSIONS IN INCHES

013 000840  
BRUNING 40 526 27928

THIS DRAWING AND SPECIFICATIONS HEREIN ARE THE PROPERTY OF DATA GENERAL CORPORATION AND SHALL NOT BE REPRODUCED OR COPIED OR USED IN WHOLE OR IN PART AS THE BASIS FOR MANUFACTURE OR SALE OF ITEMS WITHOUT WRITTEN PERMISSION

REV		DRAWN	APPROVED
ECC		CHECKED	FIRST USED ON
APP		ENGINEER	CODE IDENT 34984
DATE			

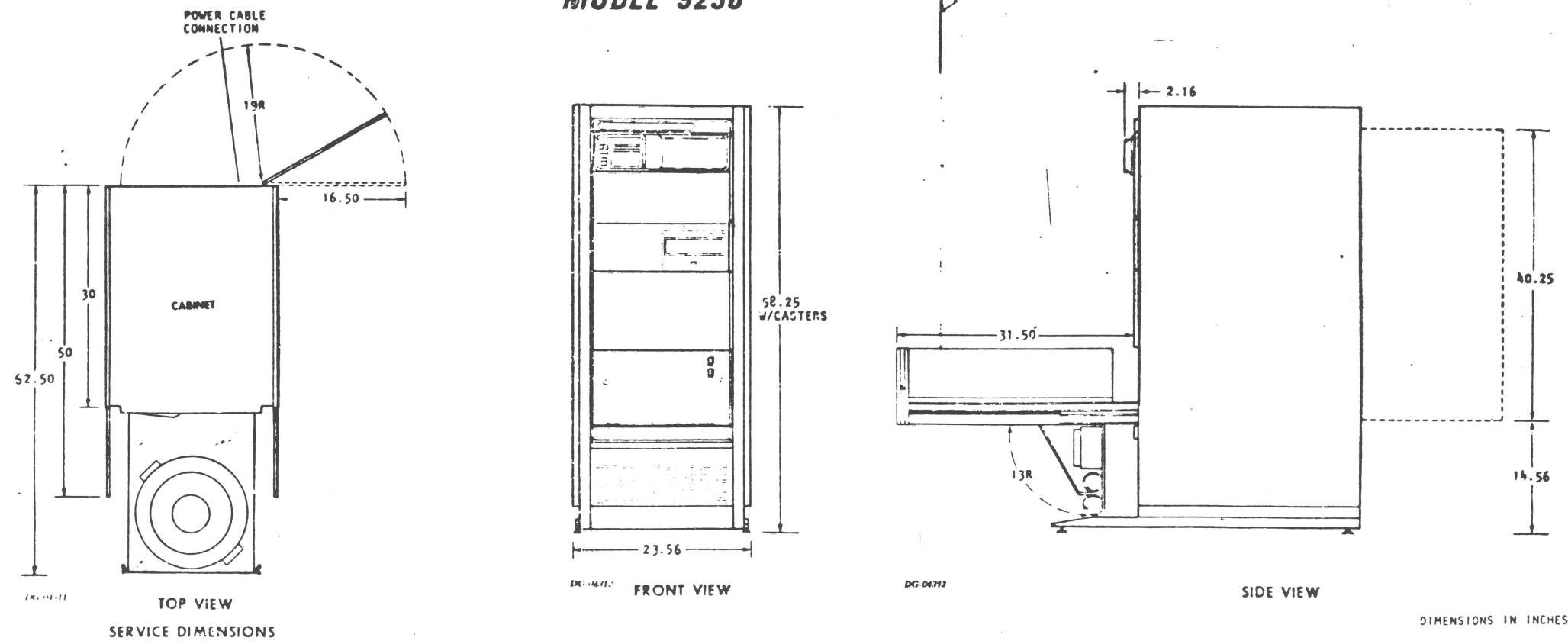
TITLE  
INSTALLATION DATA SHEETS  
CS/50  
SERIES

DATA GENERAL CORPORATION  
WESTBORO, MASSACHUSETTS 01581  
SHEET CODE C 1010  
DRAWING NUMBER 000247  
REV 00

# SPECIFICATIONS OF FREE-STANDING COMPONENTS

No Bays	PRIMARY POWER REQUIRED FOR CABINET										BTU/Hr.	WEIGHT		COOLING UNIT			
	POWER					CORD SUPPLIED		MATING RECEPTACLE REQ'D				GROSS, FULLY LOADED		POWER			
	Volts	Hz	Phase	Conduc-tors	Amps	Cable Length ft/in	Cable Connector Nema	Power Drop Nema	Wall Receptacle Nema	Total lb/kg		Per Bay lb/kg	No Units	Volt	Hz	Amp	Watts
1	240 Vac	60	1	3 W/G	40	9/2.74	14-50P	14-50R	14-50R	6,000	565/254	565/254	1	120	60	1.5	140
2	240 Vac	60	1	3 W/G	40	9/2.74	14-50P	14-50R	14-50R	10,600	1090/492	525/238	2	120	60	1.5	140
3	240 Vac	60	1	3 W/G	40	9/2.74	14-50P	14-50R	14-50R	16,500	1615/730	525/238	3	120	60	1.5	140
1	230Vac	50	1	2 W/G	40	9/2.74				6,000	565/254	565/254	1	230	50	0.75	140
2	230Vac	50	1	2 W/G	40	9/2.74				10,600	1090/492	525/238	2	230	50	0.75	140
3	230Vac	50	1	2 W/G	40	9/2.74				16,500	1615/730	525/238	3	230	50	0.75	140

## SINGLE BAY CABINET MODEL 9238



013.006840  
BRUNING 40 526 27928

THIS DRAWING AND SPECIFICATIONS HEREIN ARE THE PROPERTY OF DATA GENERAL CORPORATION AND SHALL NOT BE REPRODUCED OR COPIED OR USED IN WHOLE OR IN PART AS THE BASIS FOR MANUFACTURE OR SALE OF ITEMS WITHOUT WRITTEN PERMISSION.

REV	DATE	APP	ENGINEER
ECO			
APP			
DATE			

DRAWN	APPROVED
CHECKED	FIRST USED ON
ENGINEER	CODE IDENT 34994

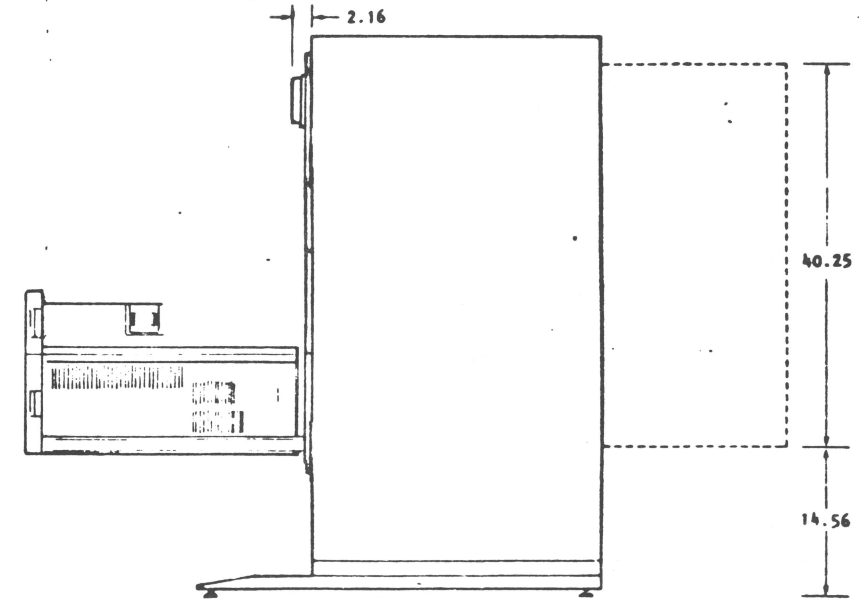
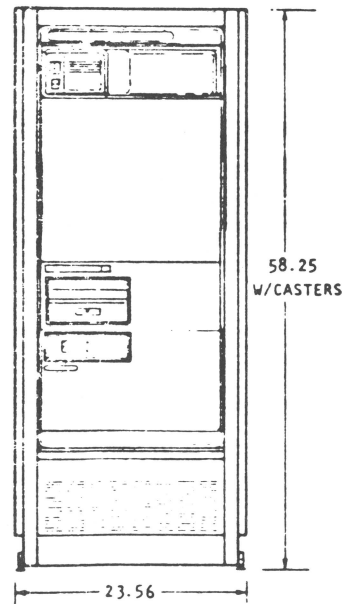
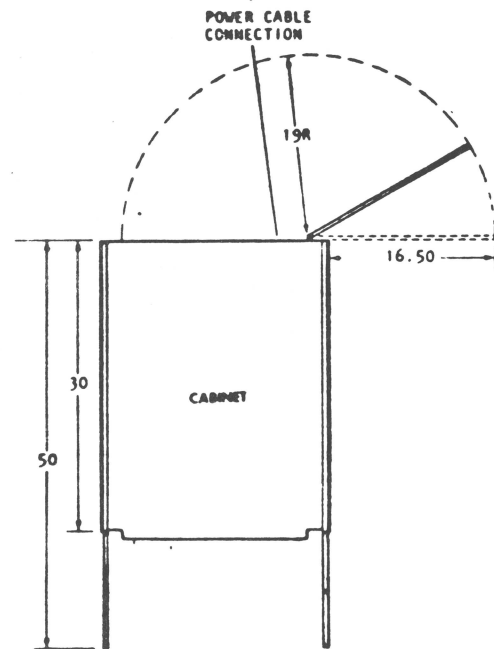
TITLE  
**INSTALLATION DATA SHEETS**  
CS/50  
SERIES

DATA GENERAL CORPORATION WESTBORO MASSACHUSETTS 01581			
SIZE	CODE	DRAWING NUMBER	REV
C	010	000247	00

# SPECIFICATIONS OF FREE-STANDING COMPONENTS

No Bays	PRIMARY POWER REQUIRED FOR CABINET										BTU/Hr.	WEIGHT		COOLING UNIT			
	POWER					CORD SUPPLIED		MATING RECEPTACLE REQ'D				GROSS, FULLY LOADED		POWER			
	Volts	Hz	Phase	Conduc-tors	Amps	Cable Length ft/in	Cable Connector Nema	Power Drop Nema	Wall Receptacle Nema	Total lb/kg		Per Bay lb/kg	No Units	Volt	Hz	Amp	Watts
1	240 Vac	60	1	3 W/G	40	9/2.74	14-50P	14-50R	14-50R	6,000	565/254	565/254	1	120	60	1.5	140
2	240 Vac	60	1	3 W/G	40	9/2.74	14-50P	14-50R	14-50R	10,600	1090/492	525/238	2	120	60	1.5	140
3	240 Vac	60	1	3 W/G	40	9/2.74	14-50P	14-50R	14-50R	16,500	1615/730	525/238	3	120	60	1.5	140
1	230Vac	50	1	2 W/G	40	9/2.74				6,000	565/254	565/254	1	230	50	0.75	140
2	230Vac	50	1	2 W/G	40	9/2.74				10,600	1090/492	525/238	2	230	50	0.75	140
3	230Vac	50	1	2 W/G	40	9/2.74				16,500	1615/730	525/238	3	230	50	0.75	140

## SINGLE BAY CABINET MODELS 9240, 9241



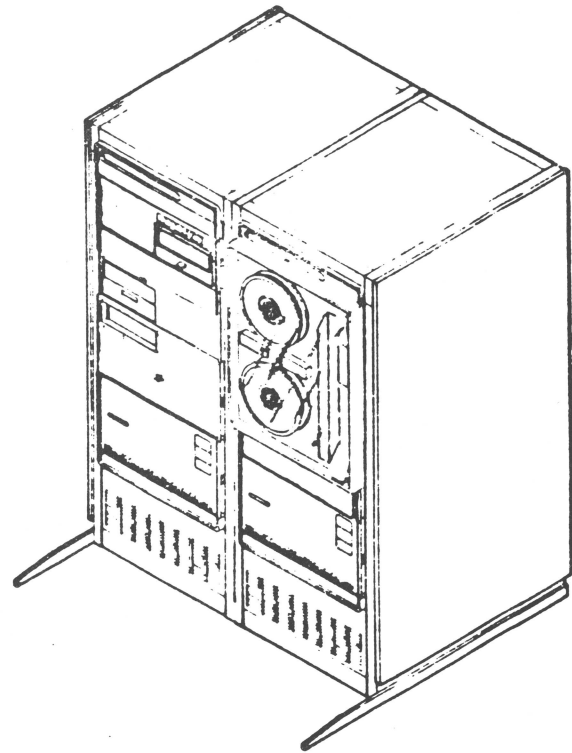
DIMENSIONS IN INCHES

033 001840  
DRAWING 40-526 2792B

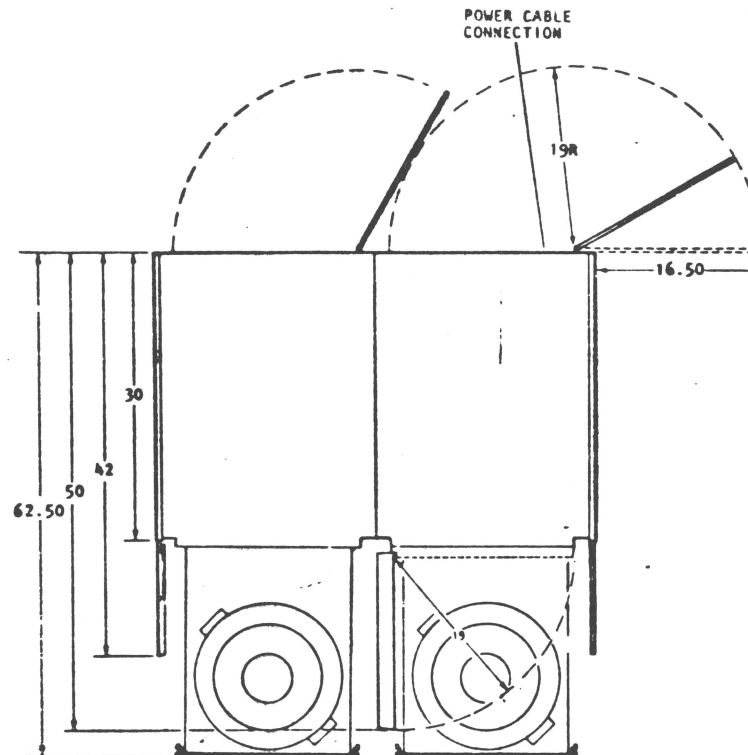
REV ECO APP DATE		DRAWN CHECKED ENGINEER	APPROVED FIRST USED ON CODE IDENT 34964	TITLE <b>INSTALLATION DATA SHEETS</b> CS/50 SERIES	DATA GENERAL CORPORATION WESTBORO MASSACHUSETTS 01581 SIZE C 010 DRAWING NO. 000247 REV 00
---------------------------	--	------------------------------	---	---	--



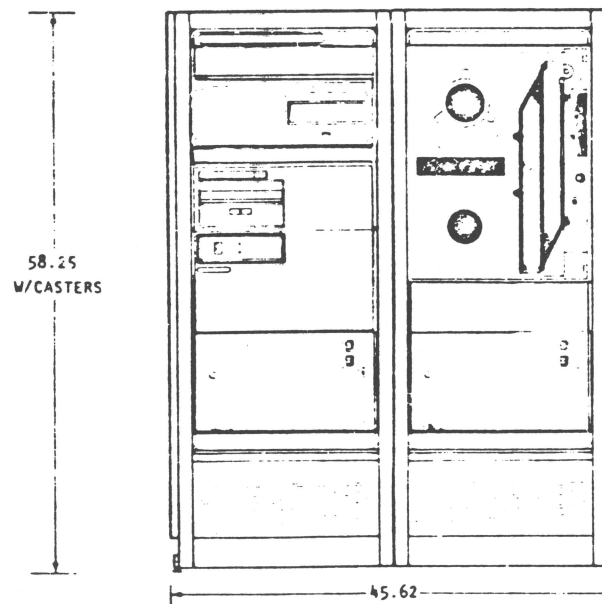
### SUBSYSTEM COMPONENT BREAKDOWN



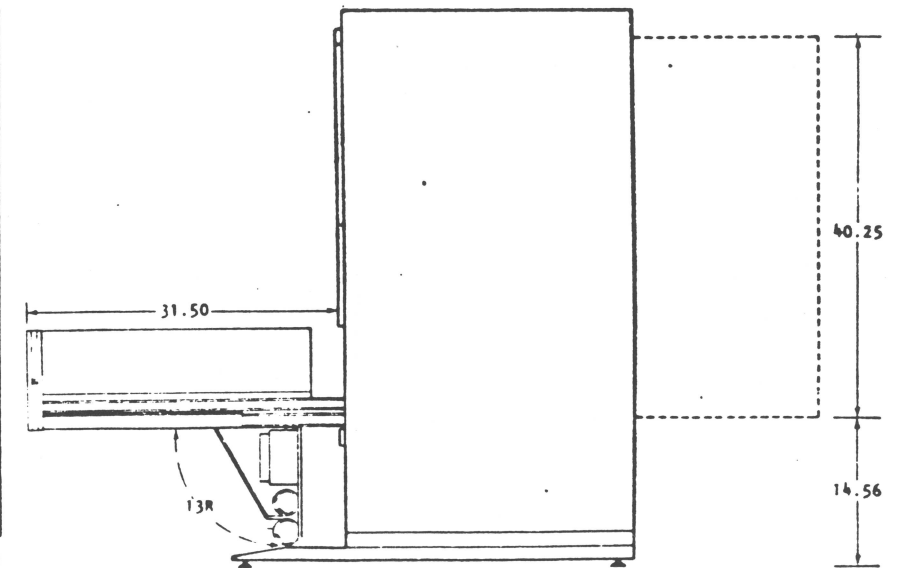
### SPECIFICATIONS OF FREE-STANDING COMPONENTS



TOP VIEW  
SERVICE DIMENSIONS



FRONT VIEW



SIDE VIEW

DIMENSIONS IN INCHES

MAJOR COMPONENT		
Component	Mounting Location	Notes
CABINET	FREE STANDING	
DISKETTE 6031	CABINET	SEE 010-000064
CARTRIDGE DISC 6070	CABINET	SEE 010-000192
MAG TAPE 6021 OR 6026	CABINET	SEE 010-000213 OR 010-000147

CABLE				
Cable	Connecting		Max Allowed Lg	Notes
			ft	m
INTERDEVICE CABLE	CARTRIDGE DISC and ETCHED PADDLEBOARD		25	7.5

\* OR 6070 CARTRIDGE DISC

013-000640  
BULKING 40 526 27928

THIS DRAWING AND SPECIFICATIONS HEREIN ARE THE PROPERTY OF DATA GENERAL CORPORATION AND SHALL NOT BE REPRODUCED, IN WHOLE OR IN PART, AS THE BASIS FOR MANUFACTURE OR SALE OF ITEMS WITHOUT WRITTEN PERMISSION.

REV	DATE	APP	CHECKED	ENGINEER	DRAWN	APPROVED
ECO						

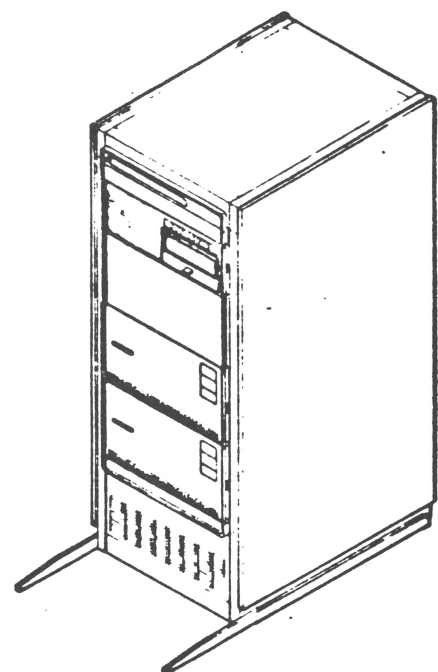
FACT USED ON	CODE ID/FNT 34984
--------------	-------------------

TITLE  
INSTALLATION DATA SHEETS  
CS/50  
SERIES

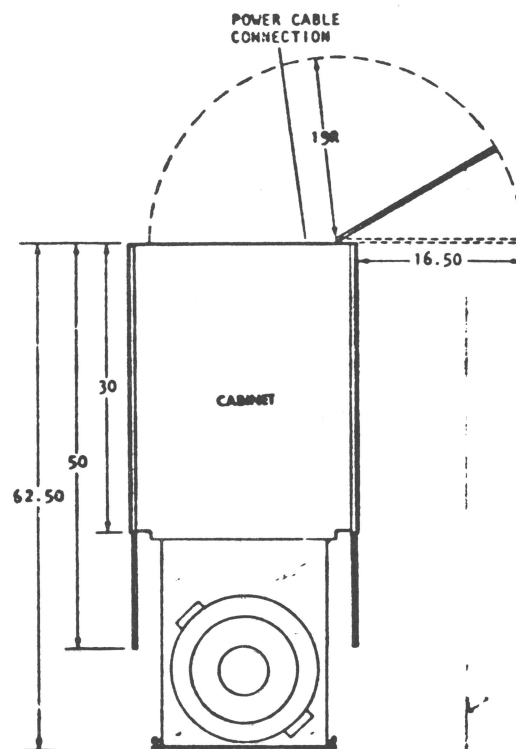
DATA GENERAL CORPORATION WESTBORO, MASSACHUSETTS 01581		
SIZE C 10	DRAWING NUMBER 000247	REV 00

OPTIONS FOR MODELS 9233, 9234

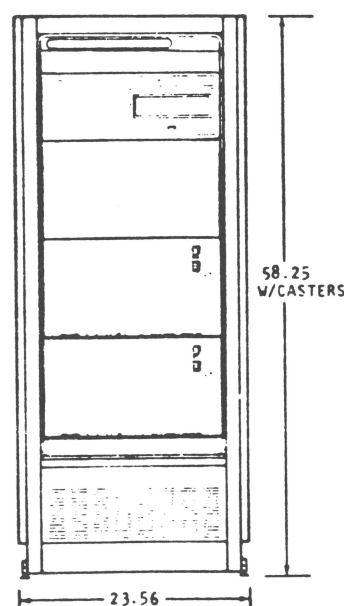
SUBSYSTEM COMPONENT BREAKDOWN



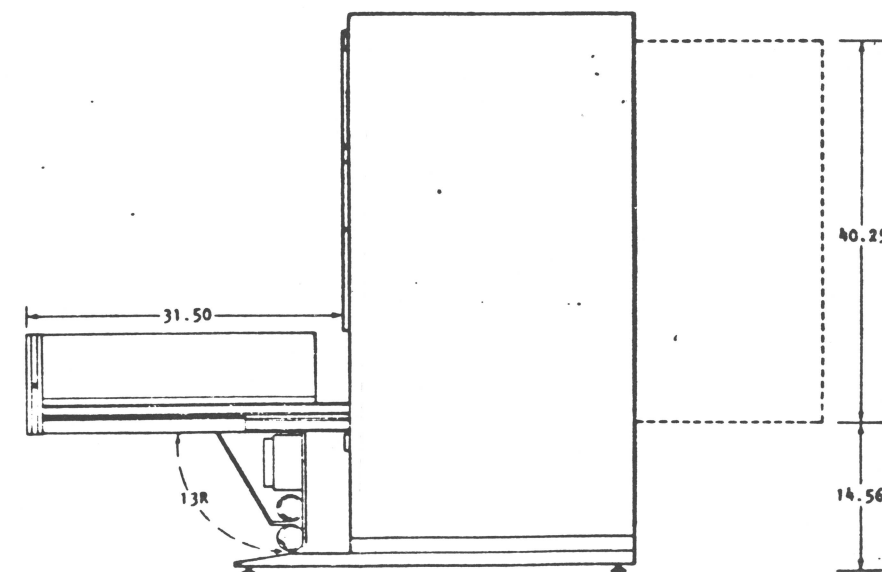
SPECIFICATIONS OF FREE-STANDING COMPONENTS



TOP VIEW  
SERVICE DIMENSIONS



FRONT VIEW



SIDE VIEW

ALL DIMENSIONS IN INCHES

MAJOR COMPONENT

Component	Mounting Location	Notes
SINGLE BAY CABINET	FREE STANDING	
DISKETTE 6031	CABINET	SEE 010-000064 or 010
CARTRIDGE DISC 6070	CABINET	SEE 010-000192
CARTRIDGE DISC 6099 or 6103	CABINET	SEE 010-000222

CABLE

Cable	Connecting		Max Allowed Lg		Notes
			ft	m	
INTERFACE CABLE	CARTRIDGE DISC 6070	ETCHED PADDLECARD	25	7.6	
INTERDEVICE CABLE	CARTRIDGE DISC 6099	and ETCHED PADDLECARD	25	7.6	

A

013-000840  
BRUNING 40-526 27928

THIS DRAWING AND SPECIFICATIONS HEREIN ARE THE PROPERTY OF DATA GENERAL CORPORATION AND SHALL NOT BE REPRODUCED OR COPIED OR USED IN WHOLE OR IN PART AS THE BASIS FOR MANUFACTURE OR SALE OF ITEMS WITHOUT WRITTEN PERMISSION.

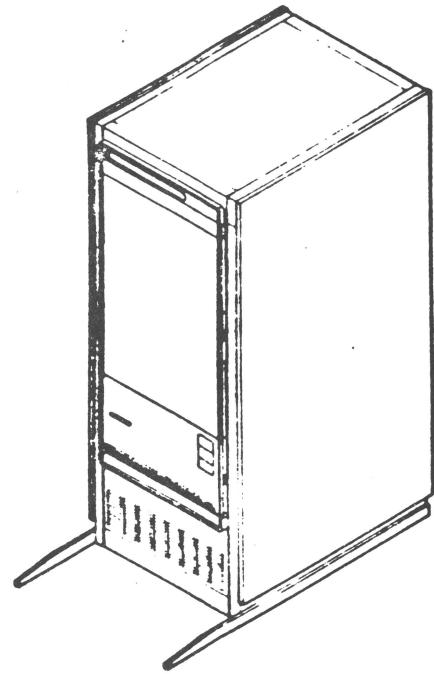
REV		DRAWN	APPROVED
ECO		CHECKED	FIRST USED ON
APP		ENGINEER	CODE IDENT 34984
DATE			

TITLE  
INSTALLATION DATA SHEETS  
CS/50  
SERIES

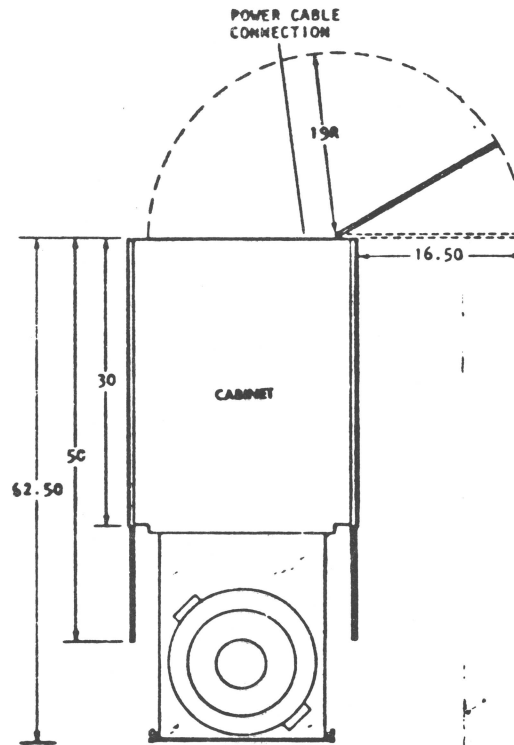
DATA GENERAL CORPORATION  
WESTBORO, MASSACHUSETTS 01581  
SIZE DATE DRAWING NUMBER REV  
C 010 000247 00

OPTIONS FOR MODELS 9235, 9236, 9237

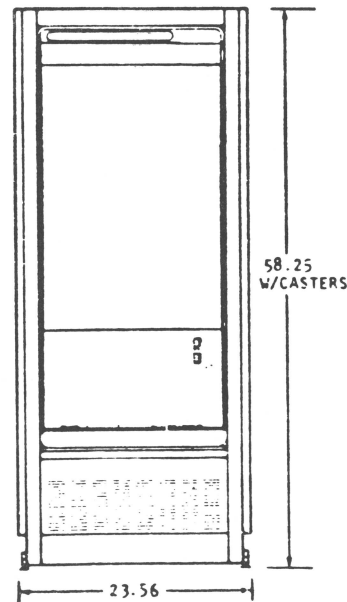
SUBSYSTEM COMPONENT BREAKDOWN



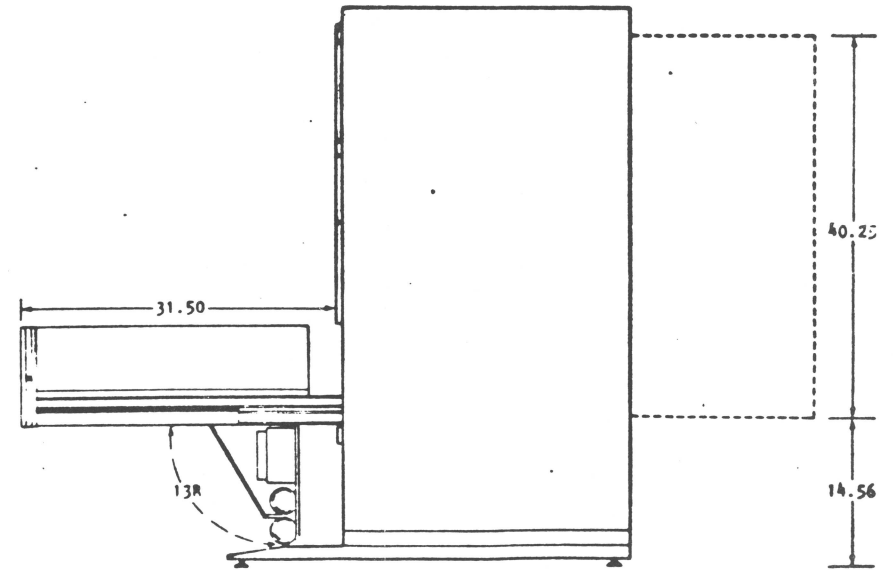
SPECIFICATIONS OF FREE-STANDING COMPONENTS



TOP VIEW  
SERVICE DIMENSIONS



FRONT VIEW



SIDE VIEW

DIMENSIONS IN INCHES

MAJOR COMPONENT

Component	Mounting Location	Notes
SINGLE BAY CABINET	FREE STANDING	
CARTRIDGE DISC 6070	CABINET	SEE 010-000192

CABLE

Cable	Connecting	Max Allowed Lg		Notes
		ft	m	
INTERDEVICE CABLE	CARTRIDGE DISC 6070 and ETCHED PADDLEBOARD	25	7.6	

01104-846  
BIRMINGHAM, AL 35242-2792B

THIS DRAWING AND SPECIFICATIONS HEREIN ARE THE PROPERTY OF DATA GENERAL CORPORATION AND SHALL NOT BE REPRODUCED OR COPIED OR USED IN WHOLE OR IN PART AS THE BASIS FOR MANUFACTURE OR SALE OF ITEMS WITHOUT WRITTEN PERMISSION.

REV		DRAWN		APPROVED	
EDD		CHECKED		FIRST USED ON	
APP		ENGINEER		CODE IDENT	34984
DATE					

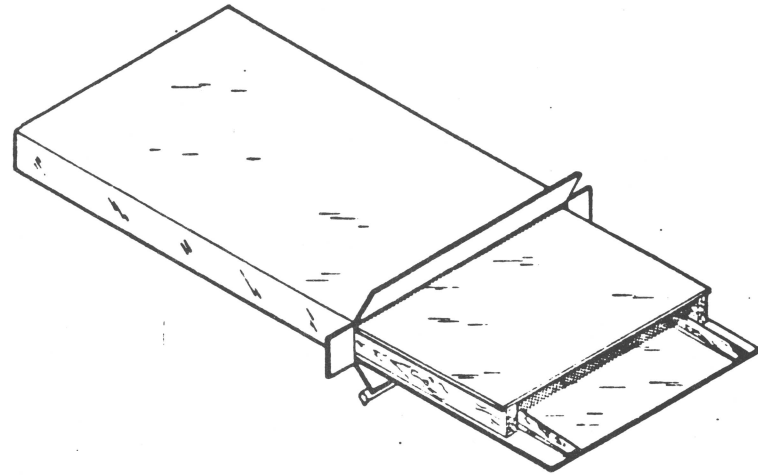
TITLE  
INSTALLATION DATA SHEETS  
CS/50  
SERIES

DATA GENERAL CORPORATION  
WESTBORO, MASSACHUSETTS 01581  
SIZE C 010  
DRAWING NUMBER 000247  
REV 00

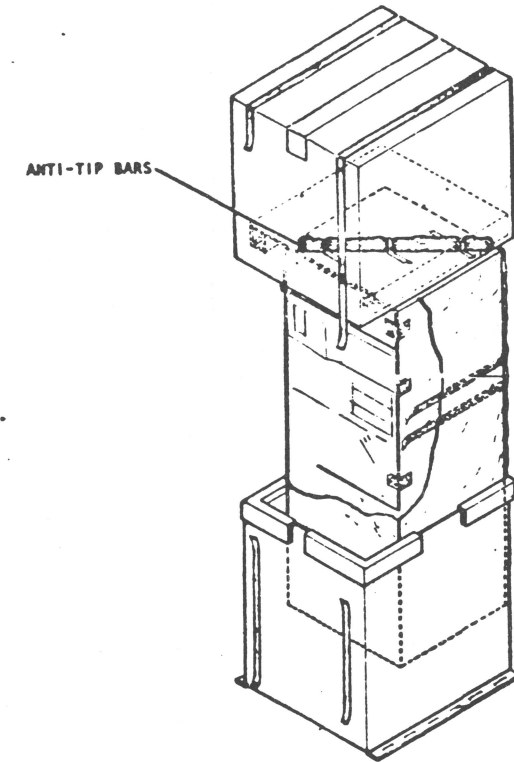


# SHIPPING (Cont)

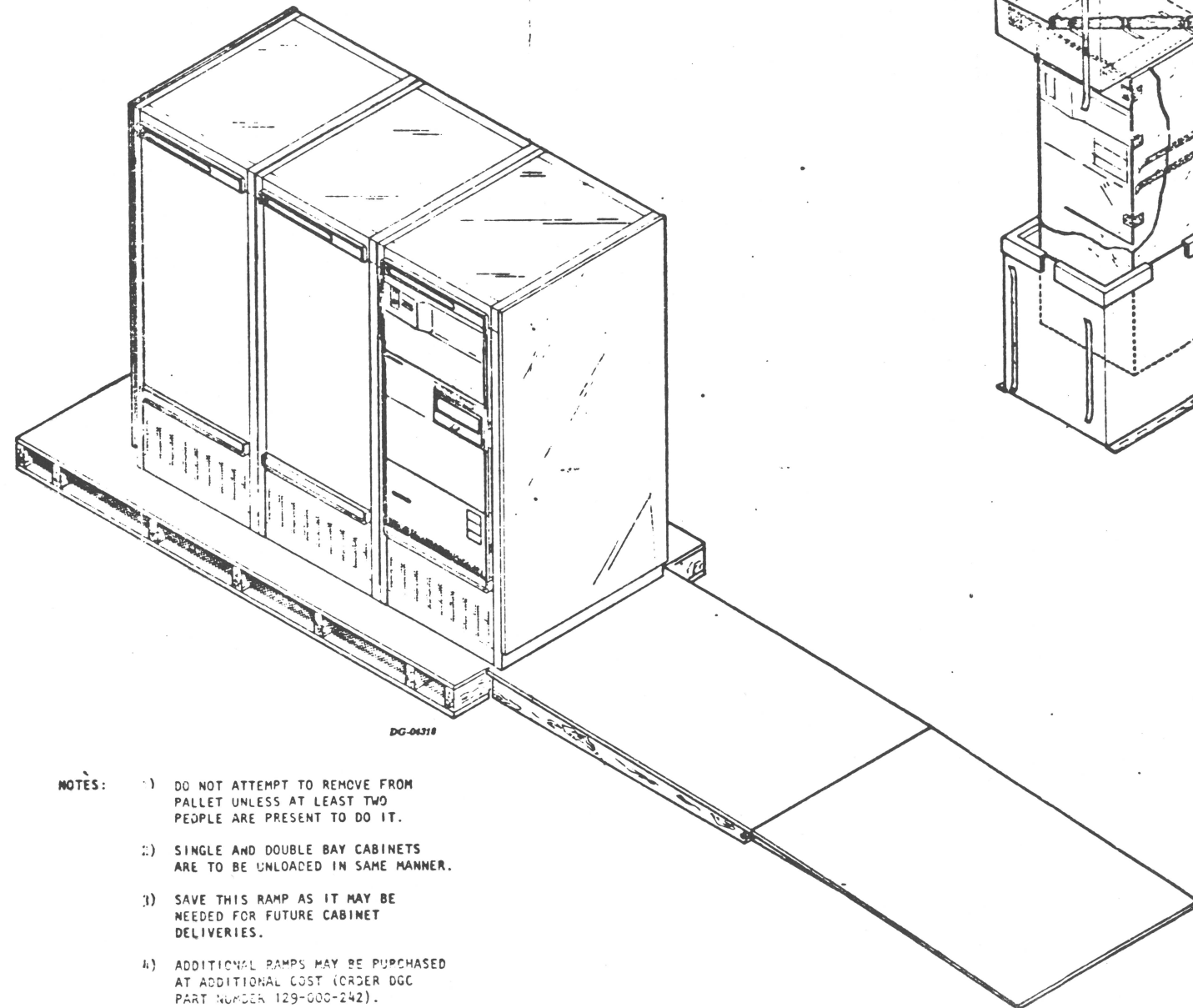
**RAMP PACKAGE**



**ANTI-TIP BARS**



SHIPPING AND PACKAGE DATA						
Outside Dimensions			Weight (Gross)	Volume	Density	
Length	Width	Depth				
in.	in.	in.	lbs.	cu ft	lbs/cu ft	
cm	cm	cm	kg	cu m	kg/cu m	
32.25	5.25	50.75	50	4.77	10.48	
82	13	129	22.5	.1431	157	



- NOTES:**
- DO NOT ATTEMPT TO REMOVE FROM PALLET UNLESS AT LEAST TWO PEOPLE ARE PRESENT TO DO IT.
  - SINGLE AND DOUBLE BAY CABINETS ARE TO BE UNLOADED IN SAME MANNER.
  - SAVE THIS RAMP AS IT MAY BE NEEDED FOR FUTURE CABINET DELIVERIES.
  - ADDITIONAL RAMPS MAY BE PURCHASED AT ADDITIONAL COST (ORDER DGC PART NUMBER 129-000-242).

013-000840  
REV. 40526 27928

THIS DRAWING AND SPECIFICATIONS HEREIN ARE THE PROPERTY OF DATA GENERAL CORPORATION AND SHALL NOT BE REPRODUCED OR COPIED OR USED IN WHOLE OR IN PART AS THE BASIS FOR MANUFACTURE OR SALE OF ITEMS WITHOUT WRITTEN PERMISSION.

REV		DRAWN		APPROVED	
ECO		CHECKED		FIRST USED ON	
APP		ENGINEER		CODE IDENT	34984
DATE					

INSTALLATION DATA SHEETS  
CS/50  
SERIES

**DATA GENERAL CORPORATION**  
WESTBORO MASSACHUSETTS 01581

SHEET NO.	DRAWING NUMBER	REV.
C 010	000247	00

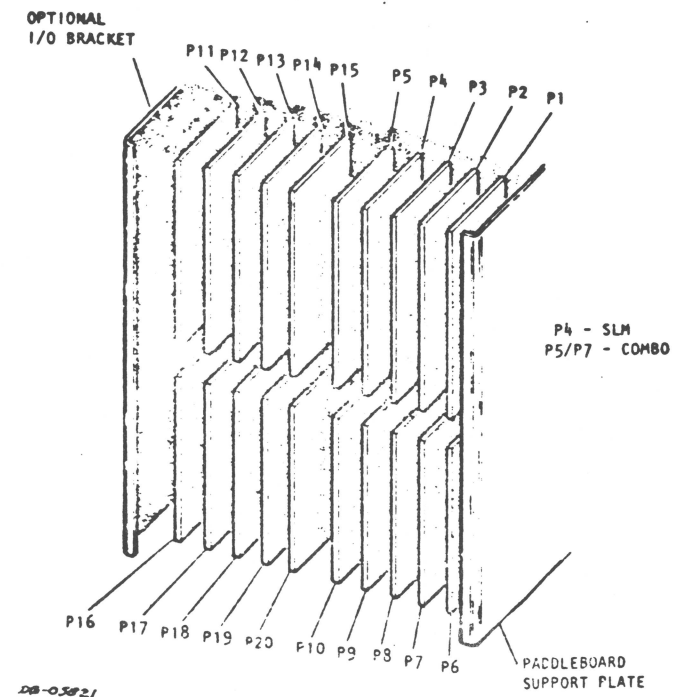
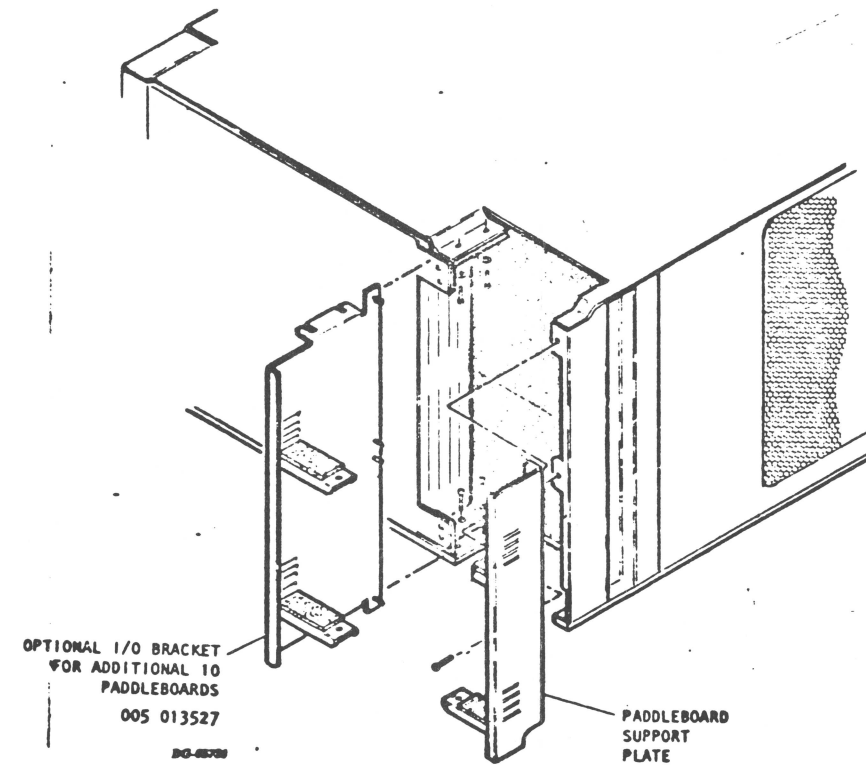
# CHASSIS SLOT ASSIGNMENTS

NOVA 4/X or 4/S

Data Channel Speeds Available:		Standard <input type="checkbox"/>	High Speed <input checked="" type="checkbox"/>
Slot	Allowed (Slot Chart)	Assigned	+5V Current Draw
16	(SLM)		4.0
15	RESERVED		
14	(COMBO 2)		3.5
13	COMBO 1		3.5
12	(DCH PRINTER CONTR)		2.5
11	6070 DISC CONTR*		4.0
10	6026 CONTR		2.6
9	6098/6100 DISC CONTR		4.0
8	ZEBRA CONTR 2		3.4
7	ZEBRA CONTR 1*		2.9
6	6031/6045 CONTR		4.0
5	6021 CONTR		2.6
4	(128 kB MEM) (ADD ON)		4.4
3	(32, 64, 128 kB MEM) (ADD ON)		4.4
2	64, 128 kB MEM		4.4
1	CPU		17
Total +5V Current draw			64.6
Max +5V Current Available			100
+5V Current Surplus			35.4

\* OR 6099 OR 6103 CONTR (OPTION)

# INTERNAL CABLING



013-010840  
BRUNING 40-526 27928

THIS DRAWING AND SPECIFICATIONS HEREIN ARE THE PROPERTY OF DATA GENERAL CORPORATION AND SHALL NOT BE REPRODUCED OR TRANSMITTED IN ANY FORM OR BY ANY MEANS, ELECTRONIC OR MECHANICAL, INCLUDING PHOTOCOPYING, RECORDING, OR BY ANY INFORMATION STORAGE AND RETRIEVAL SYSTEM, WITHOUT WRITTEN PERMISSION.

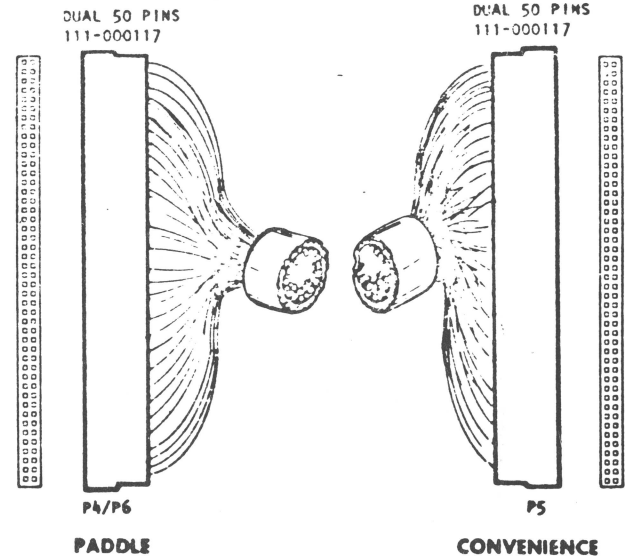
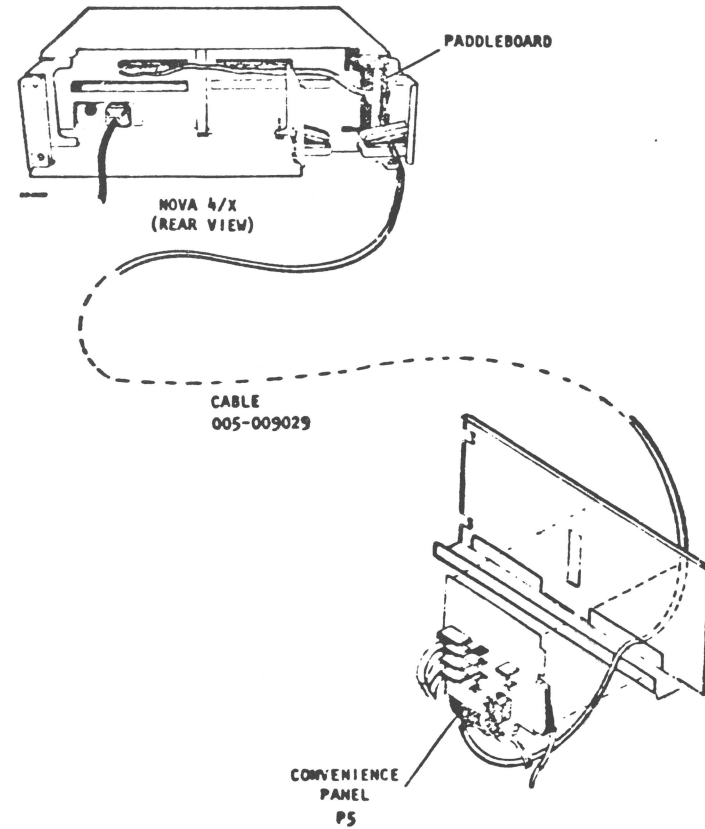
REV	DRAWN	APPROVED
ECO	CHECKED	FIRST USED ON
APP	ENGINEER	CODE IDENT 34984
DATE		

INSTALLATION DATA SHEET  
CS/50  
SERIES

**DATA GENERAL CORPORATION**  
WESTBORO, MASSACHUSETTS 01581  
SIZE C 1010 DRAWING NUMBER 000247 REV 00

# INTERNAL CABLING (Cont)

## COMBO PCB



BACKPANEL	BOARD	CABLE	PANEL
A 1 (GRD)	1	GND	2
78	4	CTS 3	4
77	5	CTS 1	5
76	6	CTS 2	6
75	7	CTS 0	7
73	8	CD 0	8
71	9	CD 1	9
69	10	CD 2	10
67	11	CD 3	11
65	12	RING 0	12
63	13	RING 1	13
61	14	RING 2	14
59	15	RING 3	15
57	16	DSR 0	16
47	17	DSR 1	17
49	18	DSR 2	18
79	19	DSR 3	19
81	20	KEY TTO	20
84	21	XMIT DATA 3	21
83	22	XMIT DATA 2	22
86	23	XMIT DATA 1	23
85	24	XMIT DATA 0	24
88	25	REC DATA 1	25
87	26	REC DATA 0	26
89	27	REC DATA 2	27
A 90	28	REC DATA 3	28
B 6	29	-12V	29
11	30	DTR 0	30
13	31	DTR 1	31
15	32	DTR 2	32
19	33	READY	33
23	34	DEMAND	34
25	35	PSTRB	35
27	36	DTR 3	36
31	37	RTS 0	37
34	38	RTS 1	38
36	39	RTS 2	39
38	40	RTS 3	40
40	41	+15V	41
48	42	PB 3	42
49	43	PB 2	43
51	44	PB 4	44
52	45	PB 1	45
53	46	PB 5	46
54	47	PB 6	47
67	48	PB 7	48
B 69	49	TTI	49
	50	+5	3

013-000840  
BRUNING 40 526 27928

THIS DRAWING AND SPECIFICATIONS HEREIN ARE THE PROPERTY OF DATA GENERAL CORPORATION AND SHALL NOT BE REPRODUCED OR USED IN WHOLE OR IN PART AS THE BASIS FOR MANUFACTURE OR SALE OF ITEMS WITHOUT WRITTEN PERMISSION.

REV	DATE	APP	DRAWN	CHECKED	ENGINEER	APPROVED	FIRST USED ON

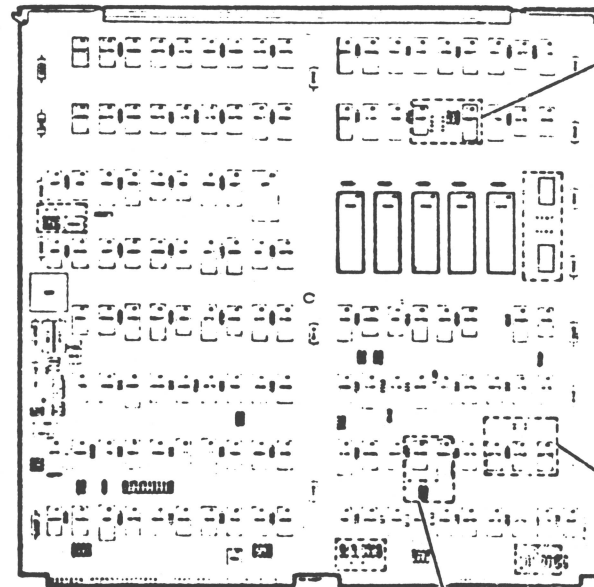

TITLE  
INSTALLATION DATA SHEET  
CS/50  
SERIES

DATA GENERAL CORPORATION  
WESTBORO, MASSACHUSETTS 01581  
DRAWING NUMBER  
000247  
REV  
00

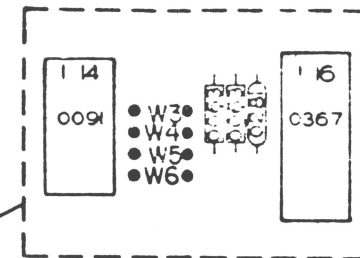


# TAILORING COMBO JUMPERING

COMBO MUX BOARD



REF DGC No 003000806 Rev. 02  
DG-0411



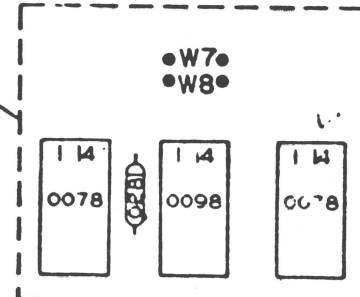
JUMPERS		
OUT	IN	BAUD
W3, W5		1200
W3	W5	1800
W5	W3	4800
W3, W5		NOT USED

JUMPERS W3, W5 DETERMINE LINE SPEED FOR CLK2.

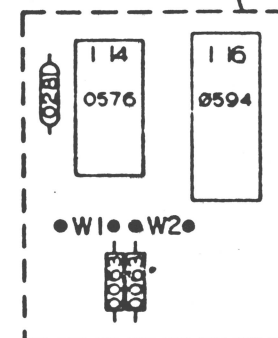
JUMPERS		
OUT	IN	BAUD
W4, W6		110
W6	W4	150
W4	W6	300
W4, W6		2400

JUMPERS W4, W6 DETERMINE LINE SPEED FOR CLK3.

NOTE:  
CLK 0 IS FIXED AT 9600 BAUD  
CLK 1 IS FIXED AT 600 BUAD



JUMPERS W7 AND W8 DETERMINE POLARITY OF PRINTER STROBE  
INSTALL W3 FOR 300LPM, 240 LPM  
INSTALL W7 FOR 180CPS



JUMPERS			
OUT	IN	ALN LINES	DEVICE CODES
W1, W2		0-3	TTI=10, TTD=11, RTC=14, LPT=17
W1	W2	4-7	TTI=50, TTD=51, RTC=54, LPT=57
W2	W1	8-11	TTD, TTI, RTC, LPT ARE DISABLED
W1, W2		12-15	TTD, TTI, RTC, LPT ARE DISABLED

JUMPERS W1 AND W2 DETERMINE LINE NUMBERS AND DEVICE CODES FOR TTI, TTD, RTC AND LPT.

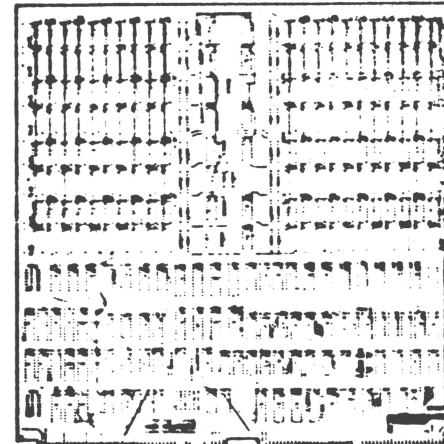
D  
C  
B  
A

013 000840  
BIRMING 40 526 27928

THIS DRAWING AND SPECIFICATIONS HEREIN ARE THE PROPERTY OF DATA GENERAL CORPORATION AND SHALL NOT BE REPRODUCED OR USED IN WHOLE OR IN PART AS THE BASIS FOR MANUFACTURE OR SALE OF ITEMS WITHOUT WRITTEN PERMISSION.				REV ECO APP DATE	DRAWN CHECKED ENGINEER	APPROVED FIRST USED ON CODE IDENT 34794	TITLE INSTALLATION DATA SHEETS CS/50 SERIES	DATA GENERAL CORPORATION WESTBORO, MASSACHUSETTS 01581 DRAWING NUMBER 000247 REV 00
---	--	--	--	---------------------------	------------------------------	---	--	--

# TAILORING (CONT)

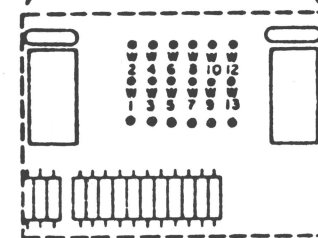
## MEMORY JUMPERING NOVA 4/S AND 4/X



NOVA 4/X MEMORY BOARD SELECT JUMPERS

ADDRESS RANGE	JUMPERS INSERTED* BOARD SIZE 128KBYTES
0377777- 0300000- 0277777- 0200000-	W8
0177777- 0100000- 0077777- 0000000-	W7

\*NOTE: JUMPERS W1, W3, AND W5 ARE ALWAYS INSERTED; JUMPERS W2, W4, AND W6 ARE NEVER INSERTED.



NOVA 4/S MEMORY BOARD SELECT JUMPERS

ADDRESS RANGE	JUMPERS INSERTED* BOARD SIZE 64 KBYTES
0077777- 0040000- 0037777- 0000000-	W7 W9

\*NOTE: JUMPERS W1, W3, AND W5 ARE ALWAYS INSERTED; JUMPERS W2, W4, AND W6 ARE NEVER INSERTED.

SYSTEMS SHOULD BE CONFIGURED WITH THE LARGER BOARDS OCCUPYING THE LOWER MEMORY ADDRESS RANGES.

MEMORY LOADS

VOLTAGE	DESCRIPTION	CURRENT DRAW
+5V	SYSTEM WITH BATTERY BACKUP	4.4A
+5V MEM		1.2A
+12V MEM	FIRST BOARD IN CHASSIS	2.3A
+12V MEM	EACH ADDITIONAL BOARD	0.3A

013 000440  
BRUNING 40 536 27978

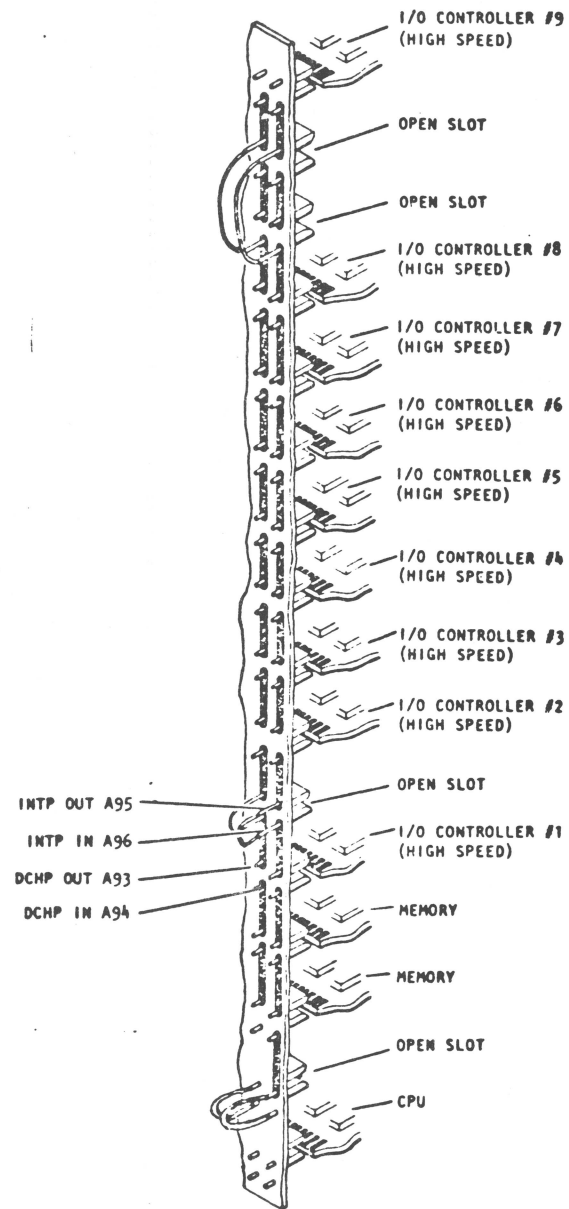
THIS DRAWING AND SPECIFICATIONS HEREIN ARE THE PROPERTY OF DATA GENERAL CORPORATION AND SHALL NOT BE REPRODUCED OR USED IN WHOLE OR IN PART AS THE BASIS FOR MANUFACTURE OR SALE OF ITEMS WITHOUT WRITTEN PERMISSION.

REV	DRAWN	APPROVED
ECO	CHECKED	FIRST USED ON
EPP	ENGINEER	CODE IDENT 34984
DATE		

INSTALLATION DATA SHEETS  
CS/50  
SERIES

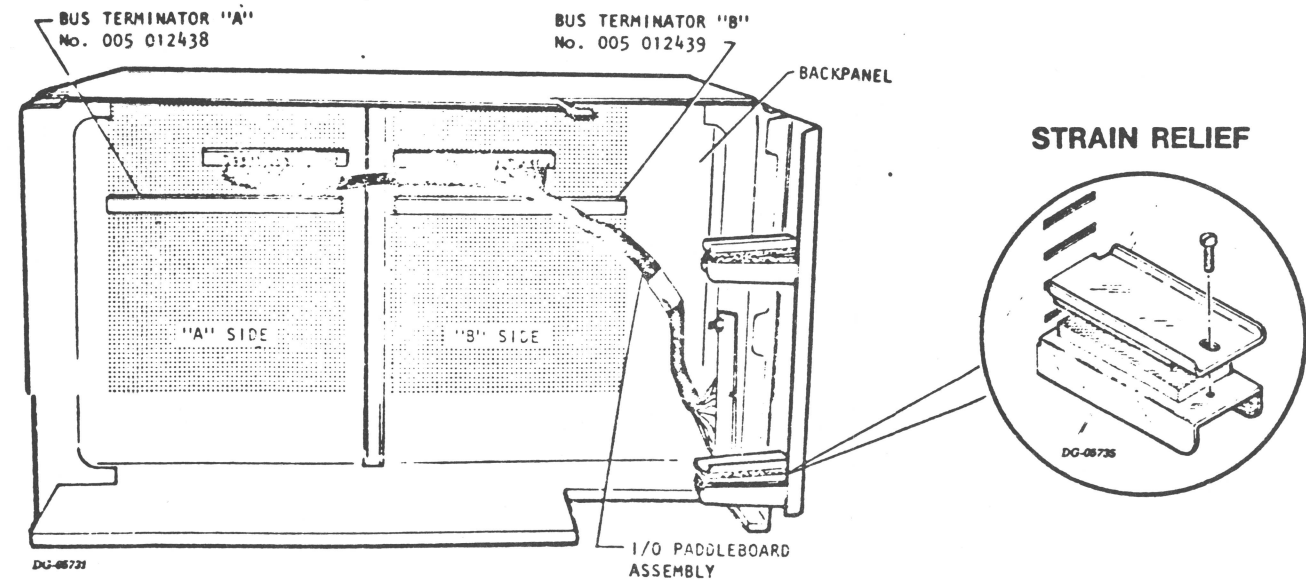
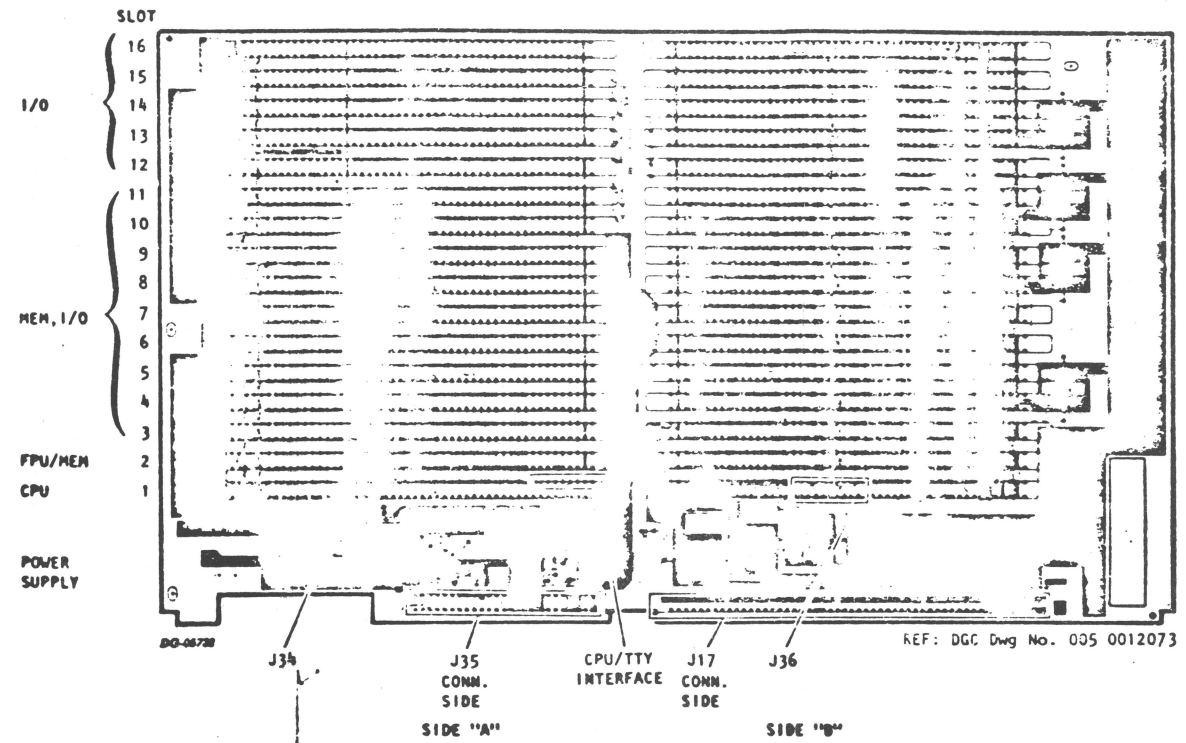
DATA GENERAL CORPORATION  
WESTBORO, MASSACHUSETTS 01581  
SIZE C 010  
DRAWING NUMBER 000247  
REV 00

**TAILORING (CONT)  
BACKPANEL JUMPERING**



NO JUMPERS NEEDED EXCEPT FOR OPEN SLOTS

**INTERNAL CABLING  
BACKPANEL CONNECTORS**



013 000840  
DRAWING 40 526 27928

THIS DRAWING AND SPECIFICATIONS HEREIN ARE THE PROPERTY OF DATA GENERAL CORPORATION AND SHALL NOT BE REPRODUCED OR USED IN WHOLE OR IN PART AS THE BASIS FOR MANUFACTURE OR SALE OF ITEMS WITHOUT WRITTEN PERMISSION

REV		DRAWN		APPROVED	
ECO		CHECKED		FIRST USED ON	
APP		ENGINEER		CODE IDENT 34954	
DATE					

TYPE  
**INSTALLATION DATA SHEET**  
CS/50  
SERIES

**DATA GENERAL CORPORATION**  
WESTBORO MASSACHUSETTS 01581

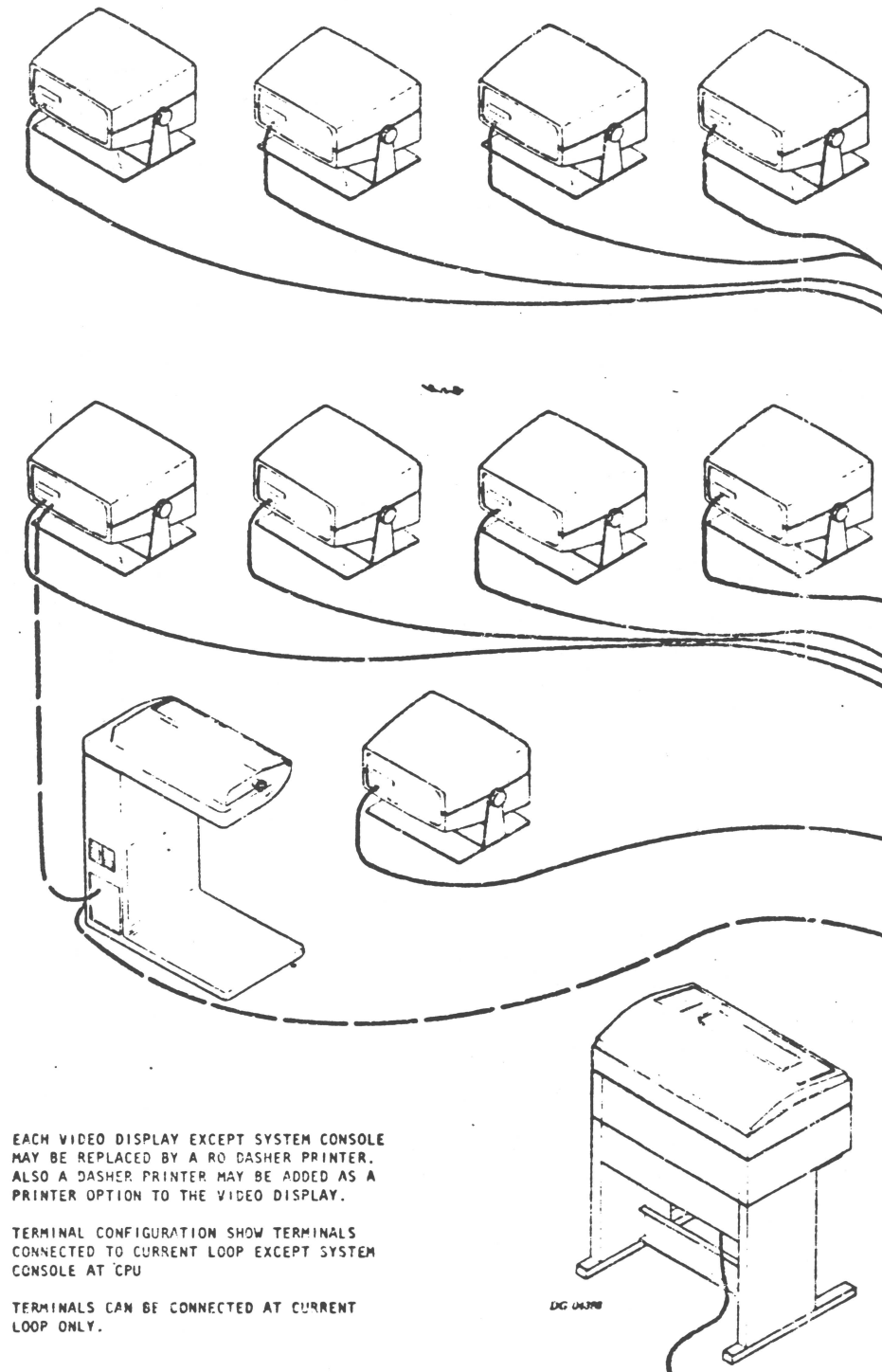
SIZE	C 010	DRAWING NUMBER	000247	REV	00
------	-------	----------------	--------	-----	----



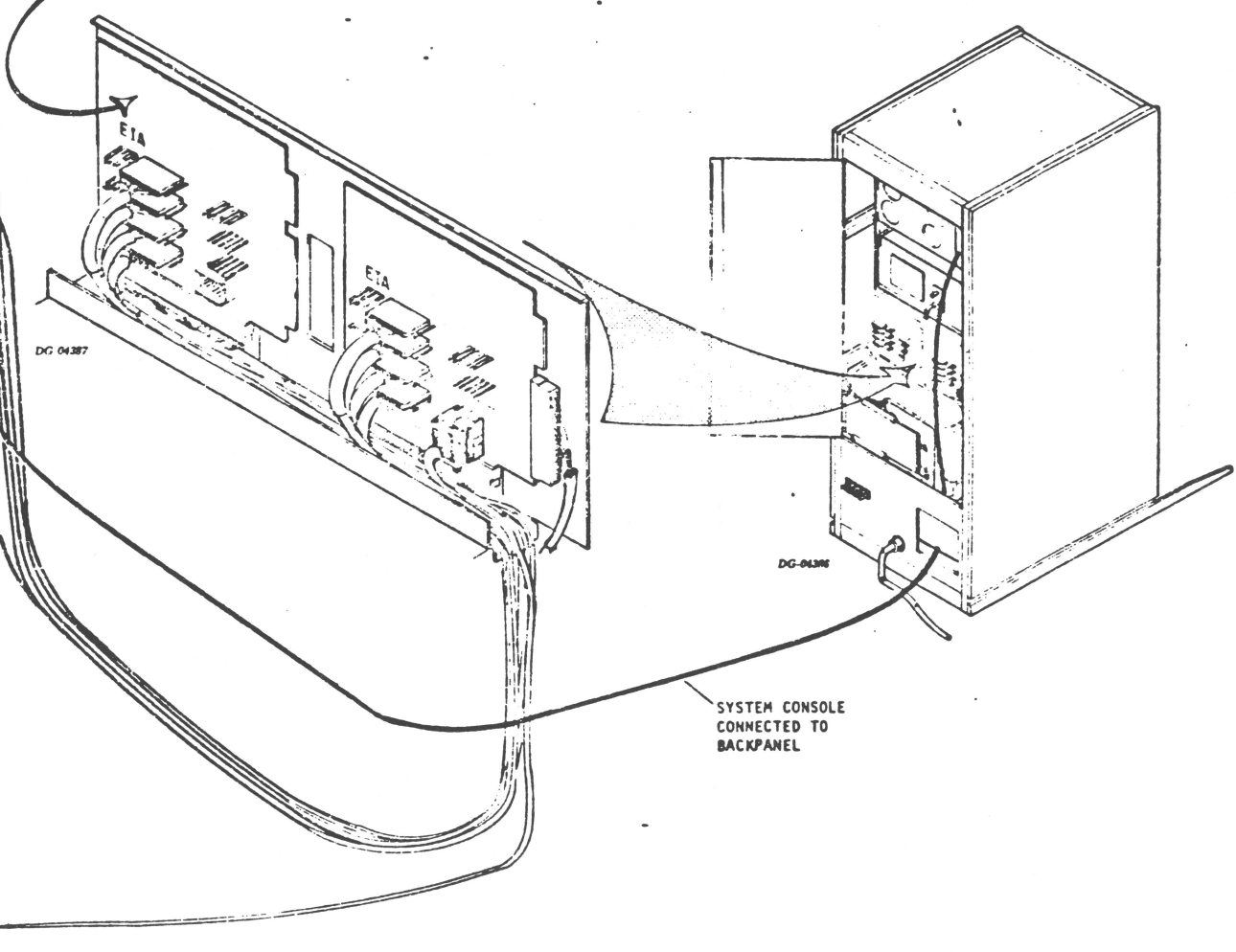


# EXTERNAL CABLING

D  
C  
B  
A



## CONVENIENCE PANEL



6053G			6041K		
MODEL NO.	CABLE	LENGTH	MODEL NO.	CABLE	LENGTH
1141 A	005-9695	100 FT.	1142 A	005-9801	100 FT.
1141 B	005-9696	250 FT.	1142 B	005-9802	250 FT.
1141 C	005-9697	500 FT.	1142 C	005-9803	500 FT.
1141 D	005-9698	1000 FT.	1142 D	005-9804	1000 FT.
1141 E	005-9699	1500 FT.	1142 E	005-9805	1500 FT.
1141 F	005-9800	2000 FT.	1142 F	005-9806	2000 FT.

DESCRIPTION	ASSY NO.	USED ON
VIDEO DISPLAY TO CPU BACKPANEL	00507428	6053D
VIDEO DISPLAY TO CONV PANEL (CURRENT LOOP)	005-7636	6053G
VIDEO DISPLAY TO FULL DUPLEX MODEM (EIA)	005-7637	6053J
DASHER PRINTER TO CONV PANEL (CURRENT LOOP)	005-7636	6041G
DASHER PRINTER TO MODEM (EIA)	005-7637	6041J
300 LPM PRINTER TO CONV PANEL	005-9061	9125
250 LPM PRINTER TO CONV PANEL	005-9061	9128
CONV PANEL TO MODEM FOR ASYNCHRONOUS FULL DUPLEX LINE	005-5269	1084G
CONV PANEL TO MODEM (BELL 202 OR EQUIV) FOR SYNCHRONOUS LINE	005-5269	1084G
CONV PANEL TO INTERNATIONAL MODEM	005-5269	1084G
SBS COMBO BOARD TO CONV PANEL	005-9029	
SLM BOARD TO CONV PANEL	005-9028	
VIDEO DISPLAY TO DASHER PRINTER	005-8433	

NOTE: EACH VIDEO DISPLAY EXCEPT SYSTEM CONSOLE MAY BE REPLACED BY A RO DASHER PRINTER. ALSO A DASHER PRINTER MAY BE ADDED AS A PRINTER OPTION TO THE VIDEO DISPLAY.

TERMINAL CONFIGURATION SHOW TERMINALS CONNECTED TO CURRENT LOOP EXCEPT SYSTEM CONSOLE AT CPU

TERMINALS CAN BE CONNECTED AT CURRENT LOOP ONLY.

013 000840  
PRINTING 40-526 27928

REV		DRAWN		APPROVED		TITLE <b>INSTALLATION DATA SHEETS</b> CS/50 SERIES	<b>DATA GENERAL CORPORATION</b> WESTBORO, MASSACHUSETTS 01581
FCO		CHECKED		FIRST USED ON			
APP		ENGINEER		CODE IDENT 34984			
DATE							
							SIZE C 1010 CHECK NO NUMBER 000247 REV 00