

\*SYSTEM CLOCKS  
 B40 CLK  
 B20 CLK  
 B12 CLK  
 ENAB 10 CLK  
 5MHz CLK  
 500Hz

FS-0791  
 Data General Corporation 1979

NOVA 4/S/X SYSTEM

Field Engineering Education

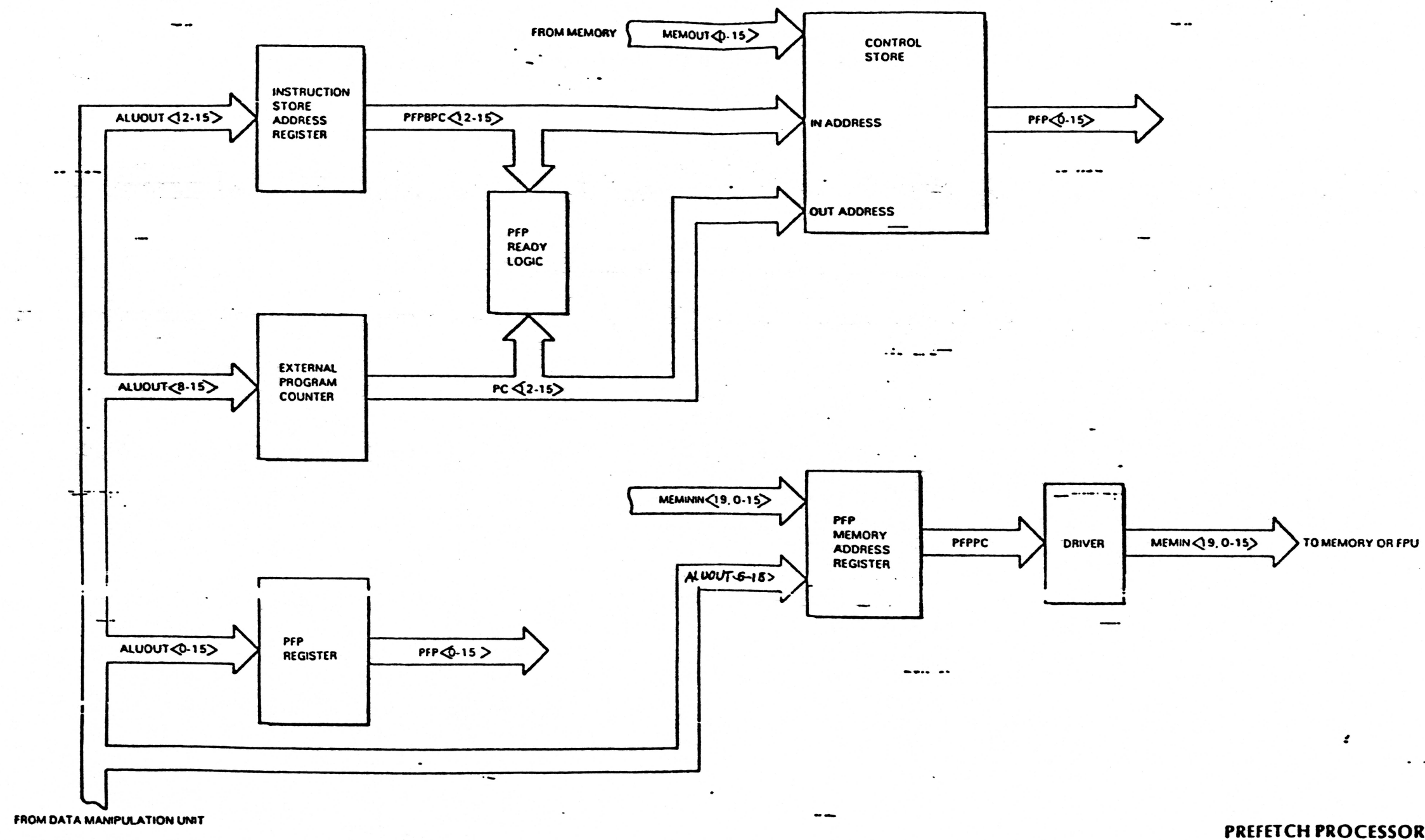
Simplified Diagram 1 of 10

NOVA 4s/x  
 Simplified BLOCK DIAGRAM  
 1 of 10

462

462

When removed at all times in DGC. This document is not to be reproduced by any means in whole or in part and is not to be disclosed to non-DGC personnel without prior written approval by an authorized official of DGC. The recipient of this document will surrender same to the DGC Training department upon request.



PREFETCH PROCESSOR

FS-0795  
© Data General Corporation 1979

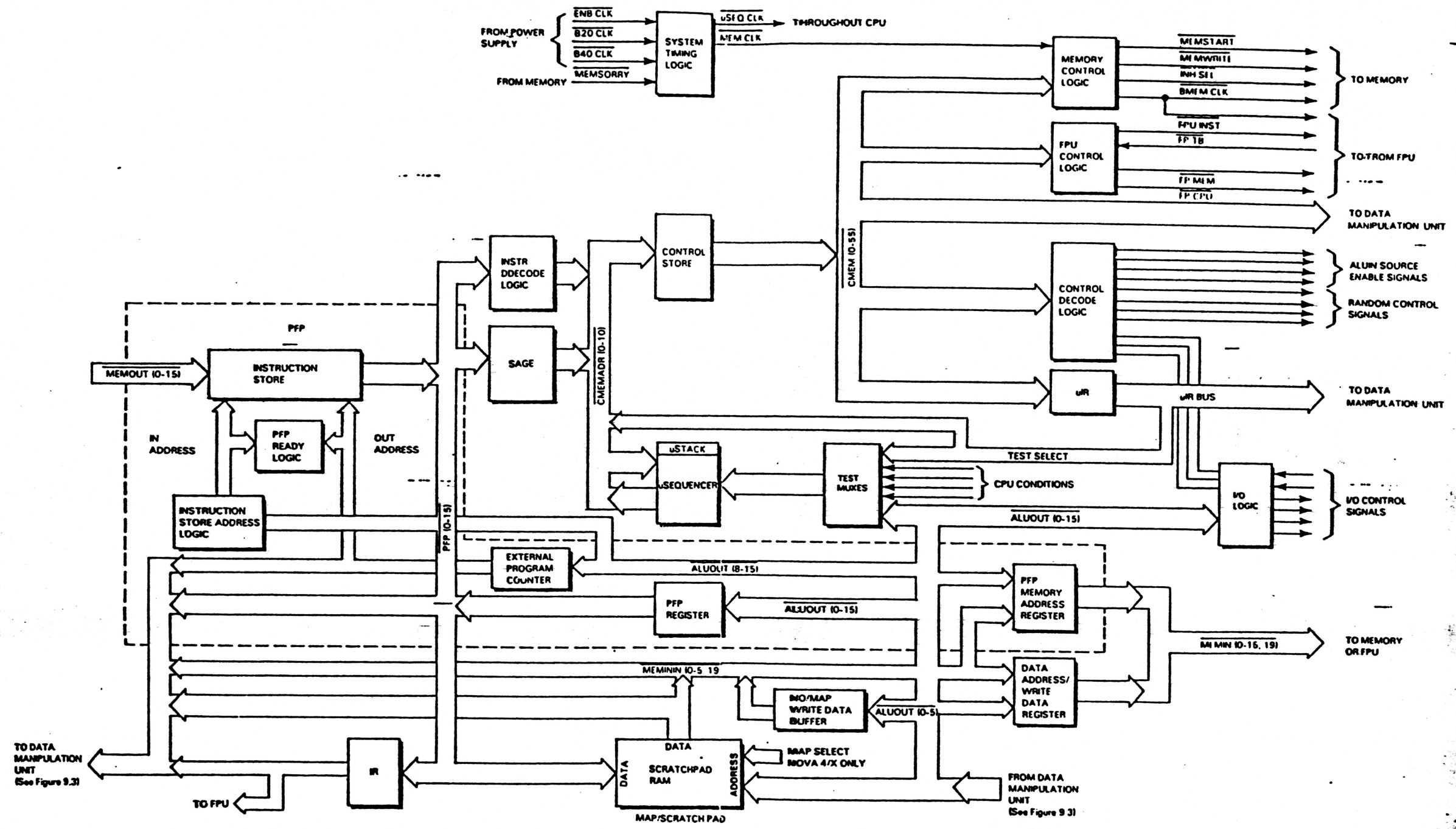
Field Engineering Education

463

463



This document is the property of the U.S. Government and is loaned to your organization; it and its contents are not to be distributed outside your organization. This document is not to be reproduced by any means in any form or by any means electronic or mechanical, including photocopying, recording, or by any information storage and retrieval system, without the express approval of the U.S. Government. The Department of Defense is authorized to reproduce and distribute reprints for government purposes not withstanding any copyright notation that may appear hereon.



FS-0983

FIGURE 9.5 CONTROL PROCESSOR BLOCK DIAGRAM  
Field Engineering Education

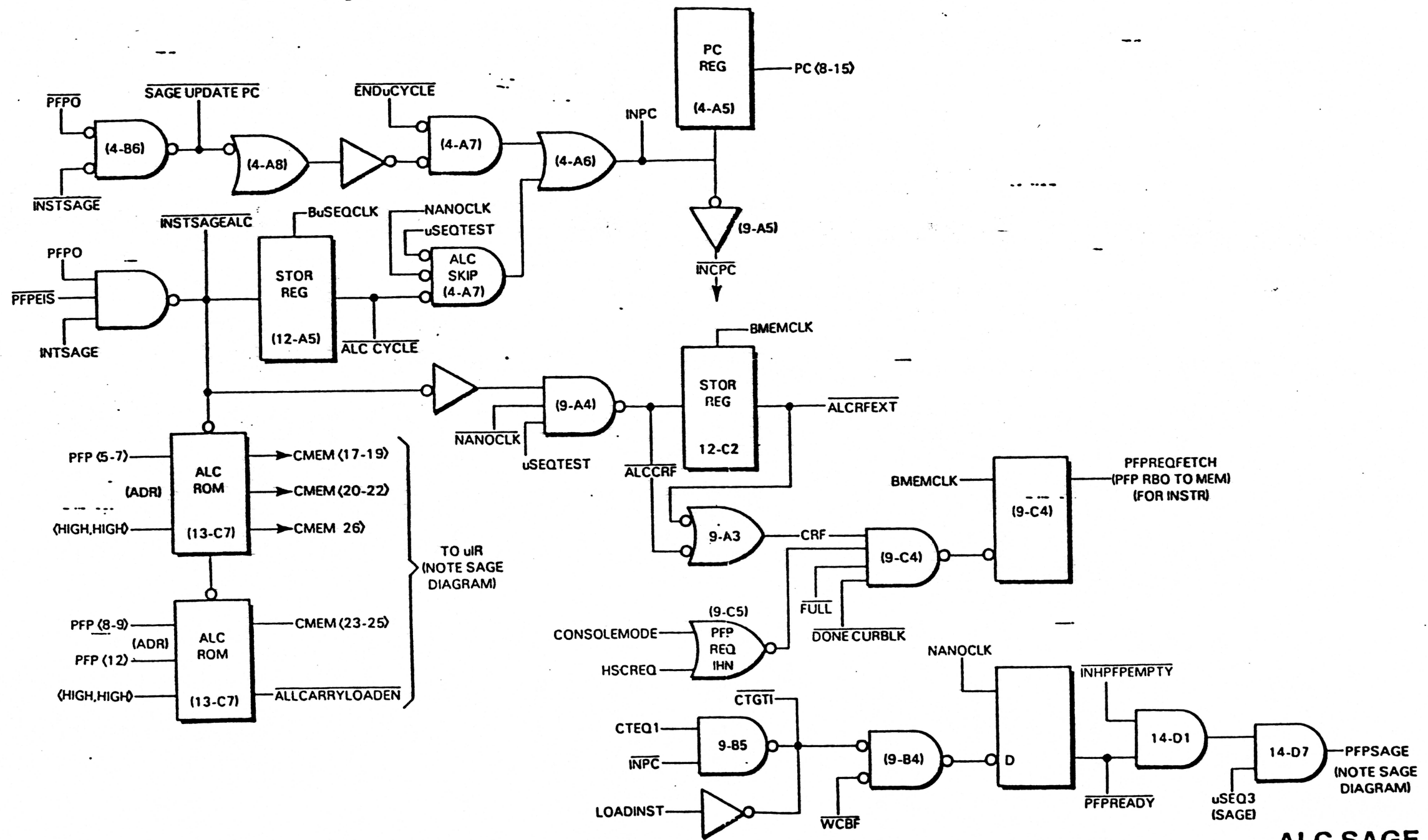
NOVA 4 s/x  
2-10

463A

( BLANK )



This document contains information which is proprietary and confidential to the extent that its disclosure would be injurious to the defense. It is to be controlled and its use restricted to authorized personnel only. It is to be controlled and its use restricted to authorized personnel only. It is to be controlled and its use restricted to authorized personnel only.



**ALC SAGE**  
Field Engineering Education

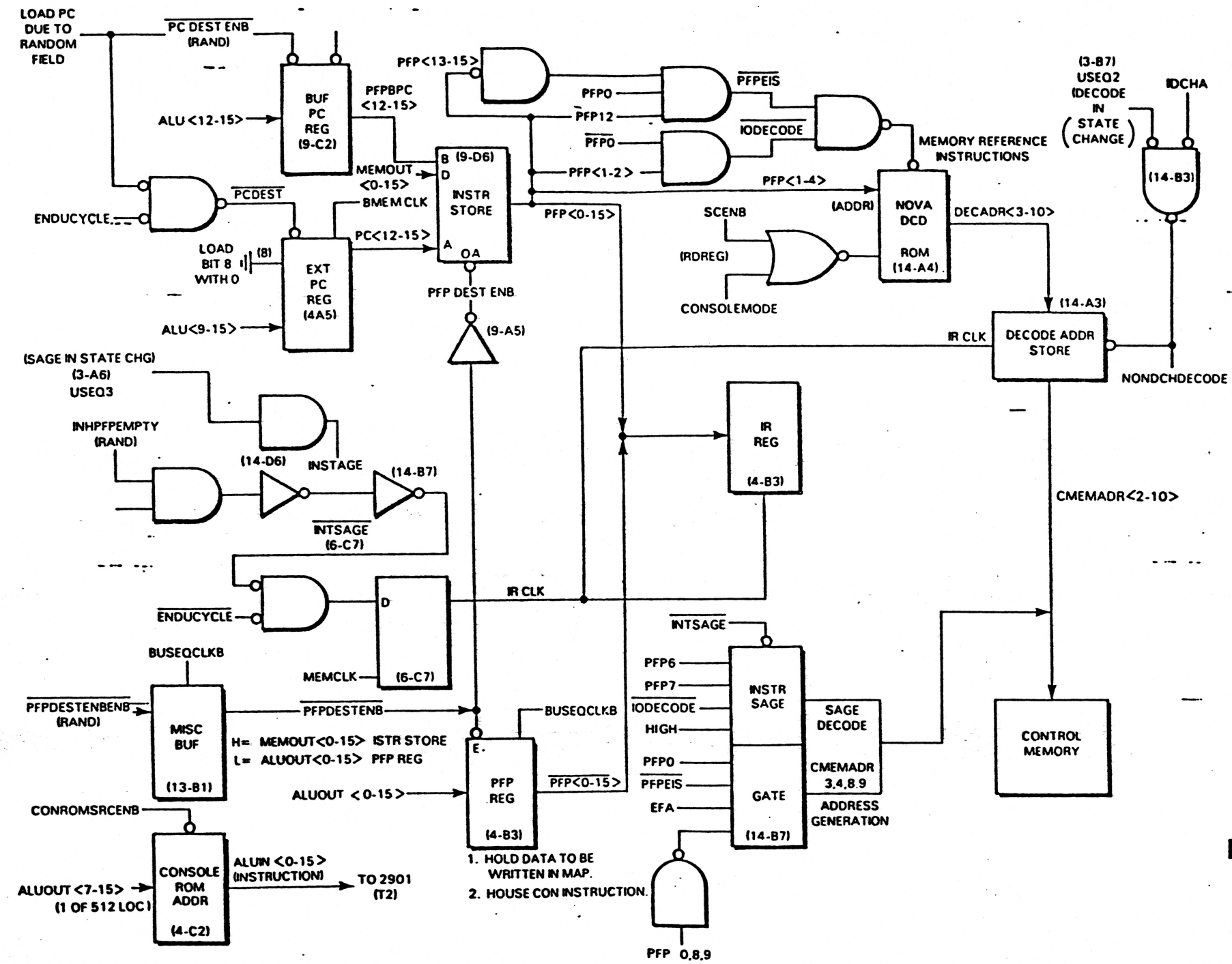
FS-01143

64

4-10

4-10

This document is intended for use by personnel in the limited purpose of training and/or equipment maintenance. This is not to be distributed to all personnel without written approval by an authorized official. The recipient of this document shall return it to the INM Training Department upon request.

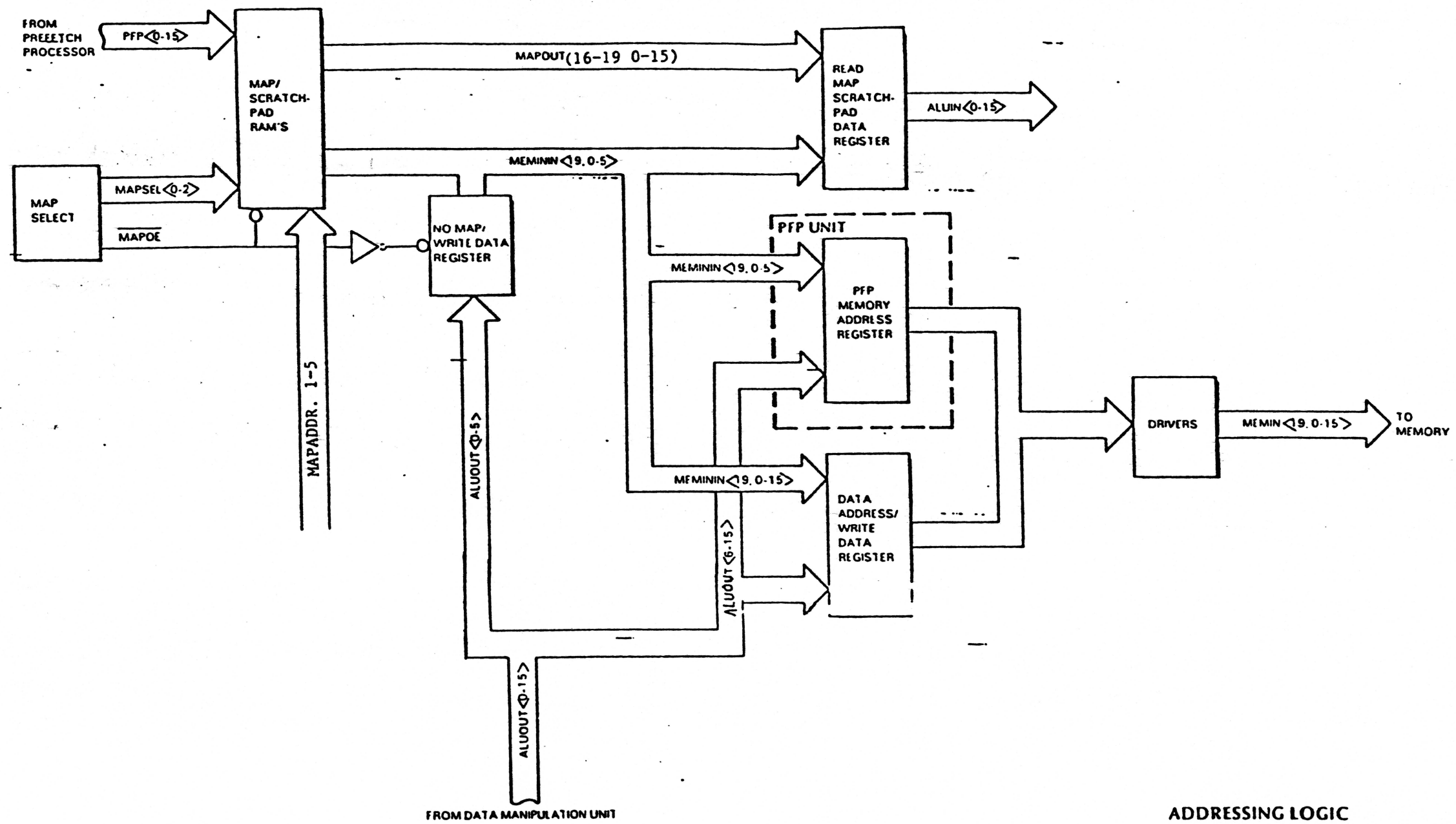


**PFP SAGE**

Field Engineering Education

465





ADDRESSING LOGIC INCLUDING MAP/SCRATCH PAD

FS-0796

©Data General Corporation 1979

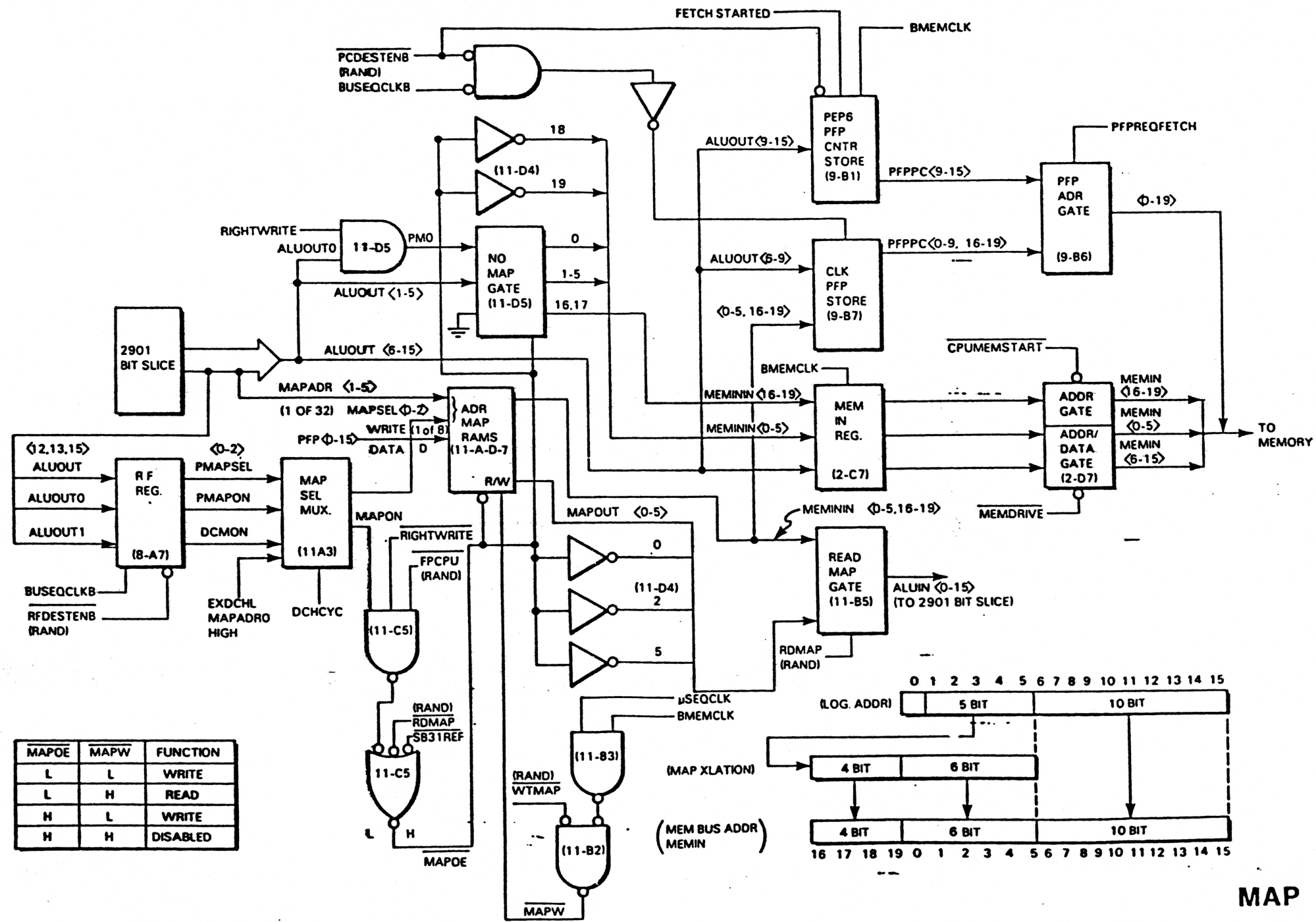
Field Engineering Education

466

6-10



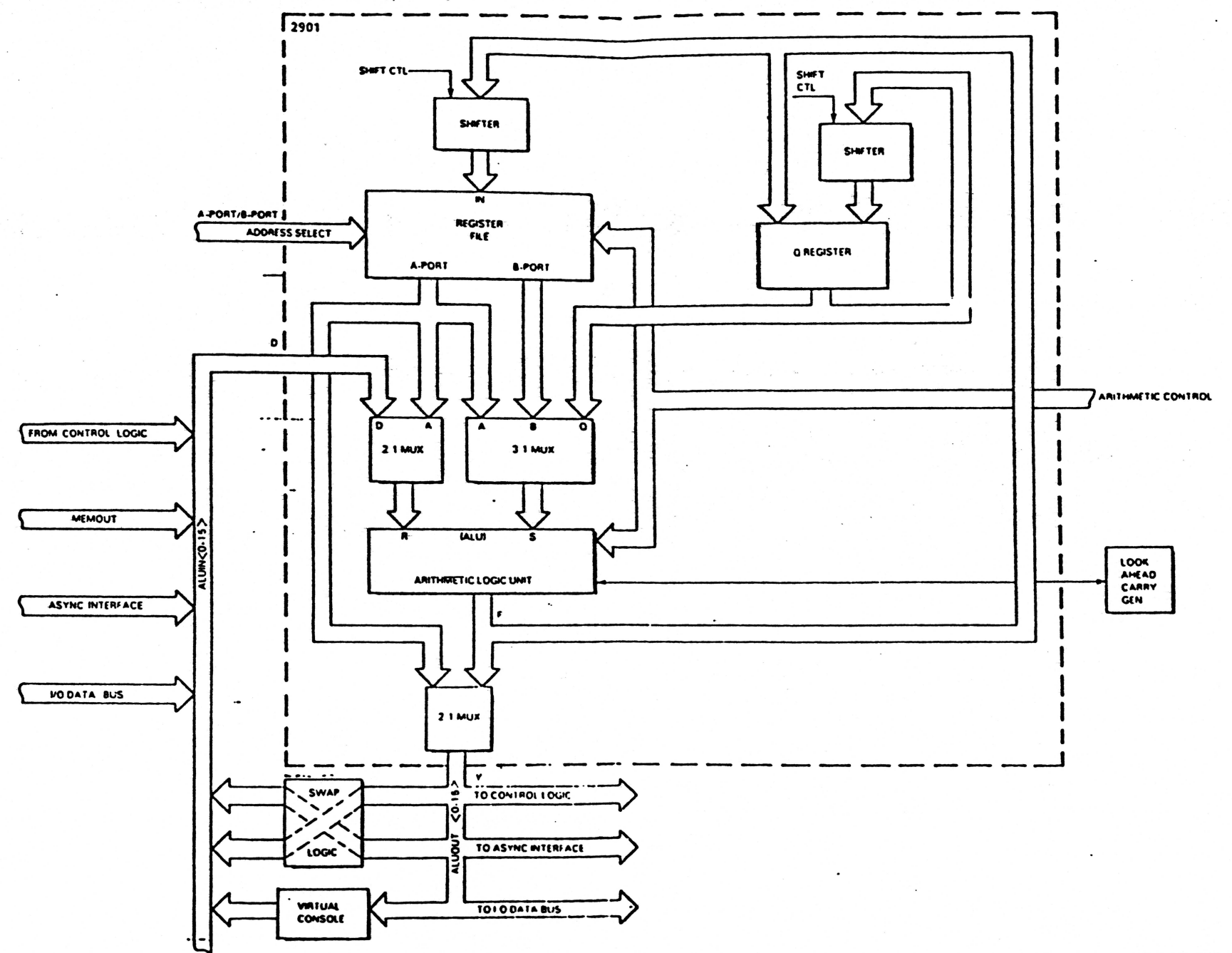
1-24 prepared, to be used for the study program. This document is not to be reproduced by any means in whole or in part as it is not to be released from 1-24 prepared and prior written approval by an authorized official of UGC. The recipient of this document will surrender same to the IGC Training department upon request.



FS-01142

MAP  
Field Engineering Education

This document is the property of Data General Corporation. It is loaned to you for your use only. It is not to be distributed outside your organization. If you are not an authorized user, you should not use this document. If you are an authorized user, you should not use this document for any purpose other than the one intended. This document is not to be reproduced, stored in a retrieval system, or transmitted in any form or by any means, electronic, mechanical, photocopying, recording, or by any information storage and retrieval system. The copyright in this document is owned by Data General Corporation. All rights reserved.

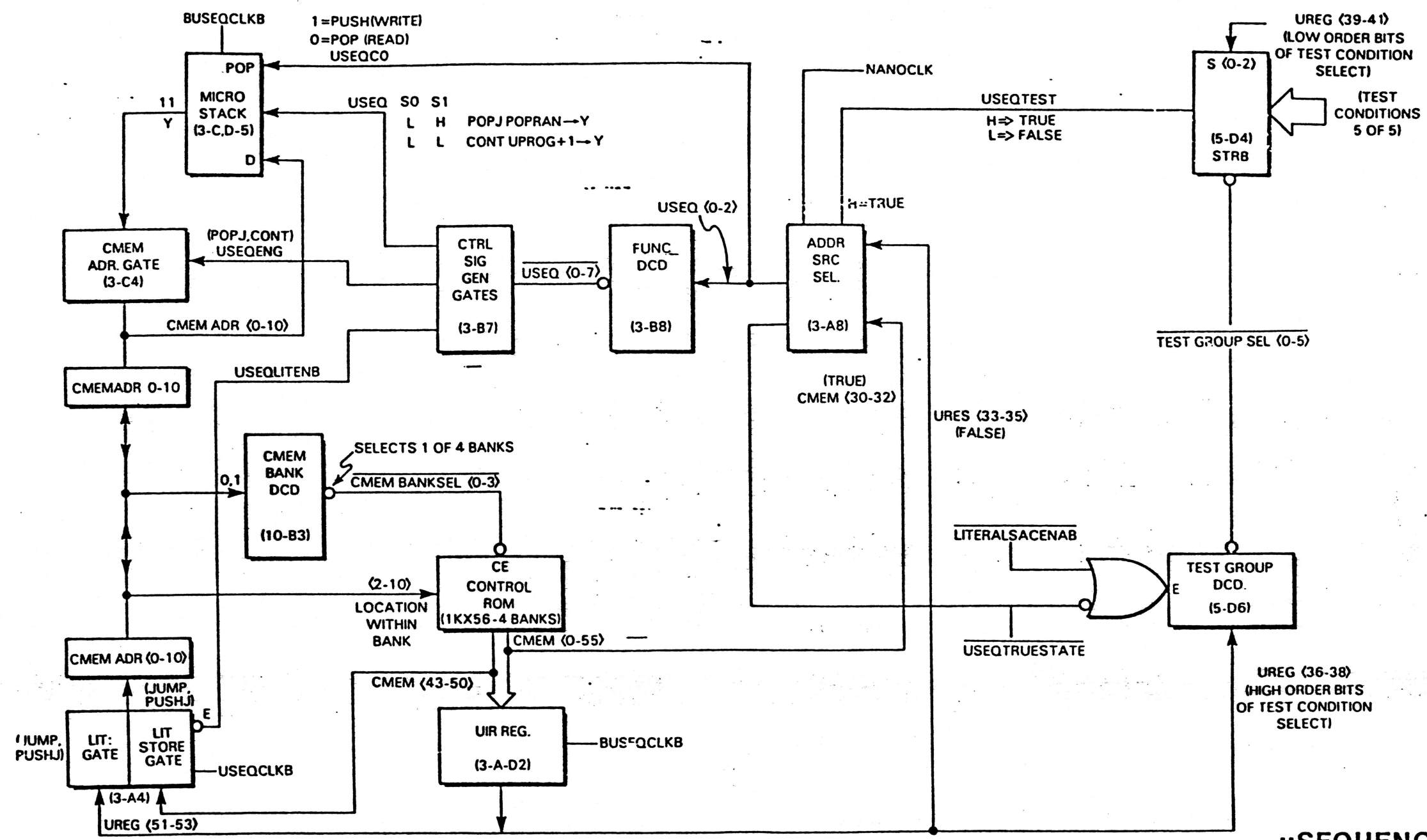


468

8-10



This document contains information which is classified "Secret" in accordance with the provisions of Executive Order 12812, Section 1.5. This document is to be controlled as a "Secret" document in accordance with the provisions of Executive Order 12812, Section 1.5. This document is to be controlled as a "Secret" document in accordance with the provisions of Executive Order 12812, Section 1.5.



**μSEQUENCER**

Field Engineering Education

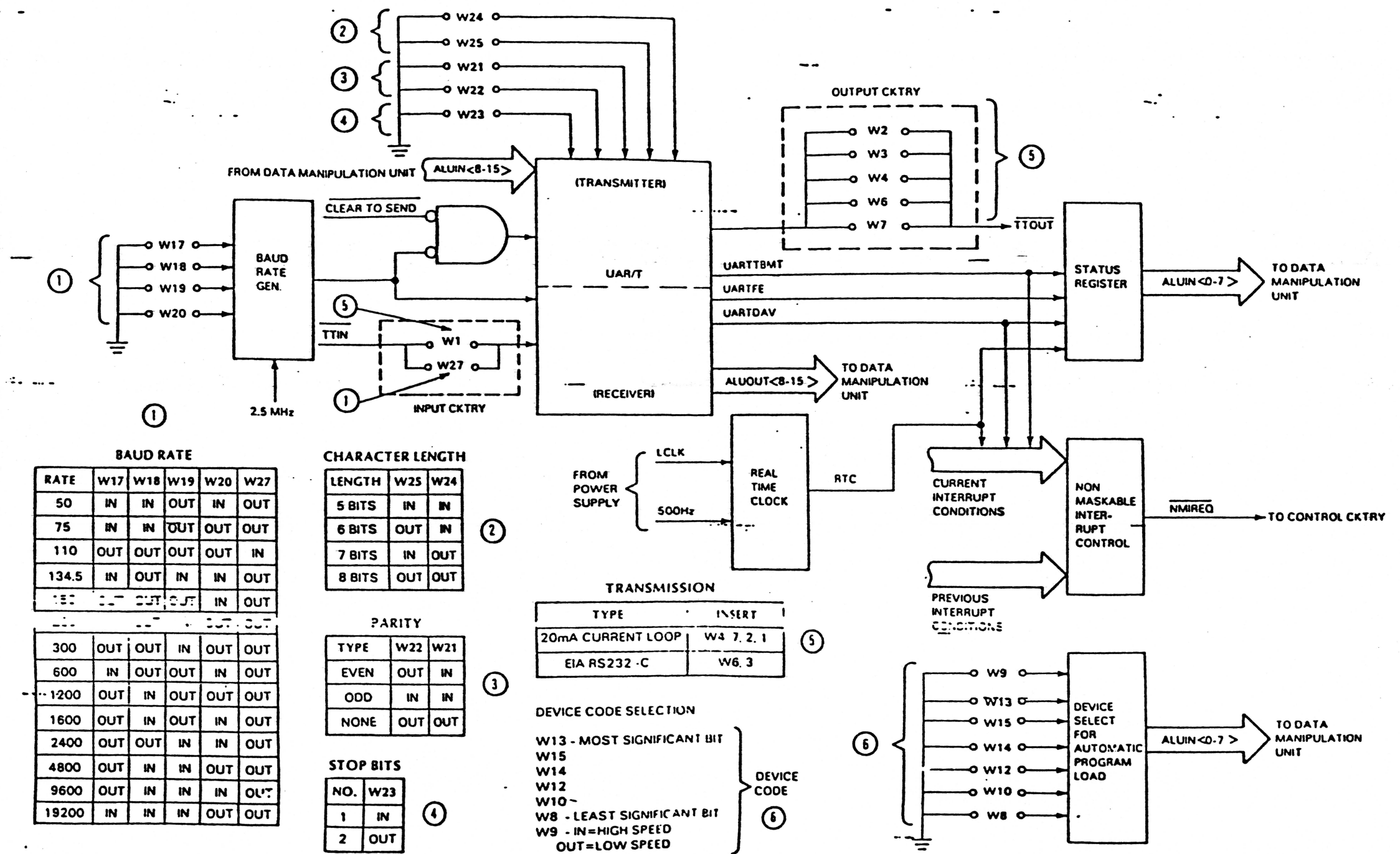
FS-01140

9-10

46c



Approved for release by NSA on 05-08-2014 pursuant to E.O. 13526



**ASYNCHRONOUS INTERFACE & R.T.C.**