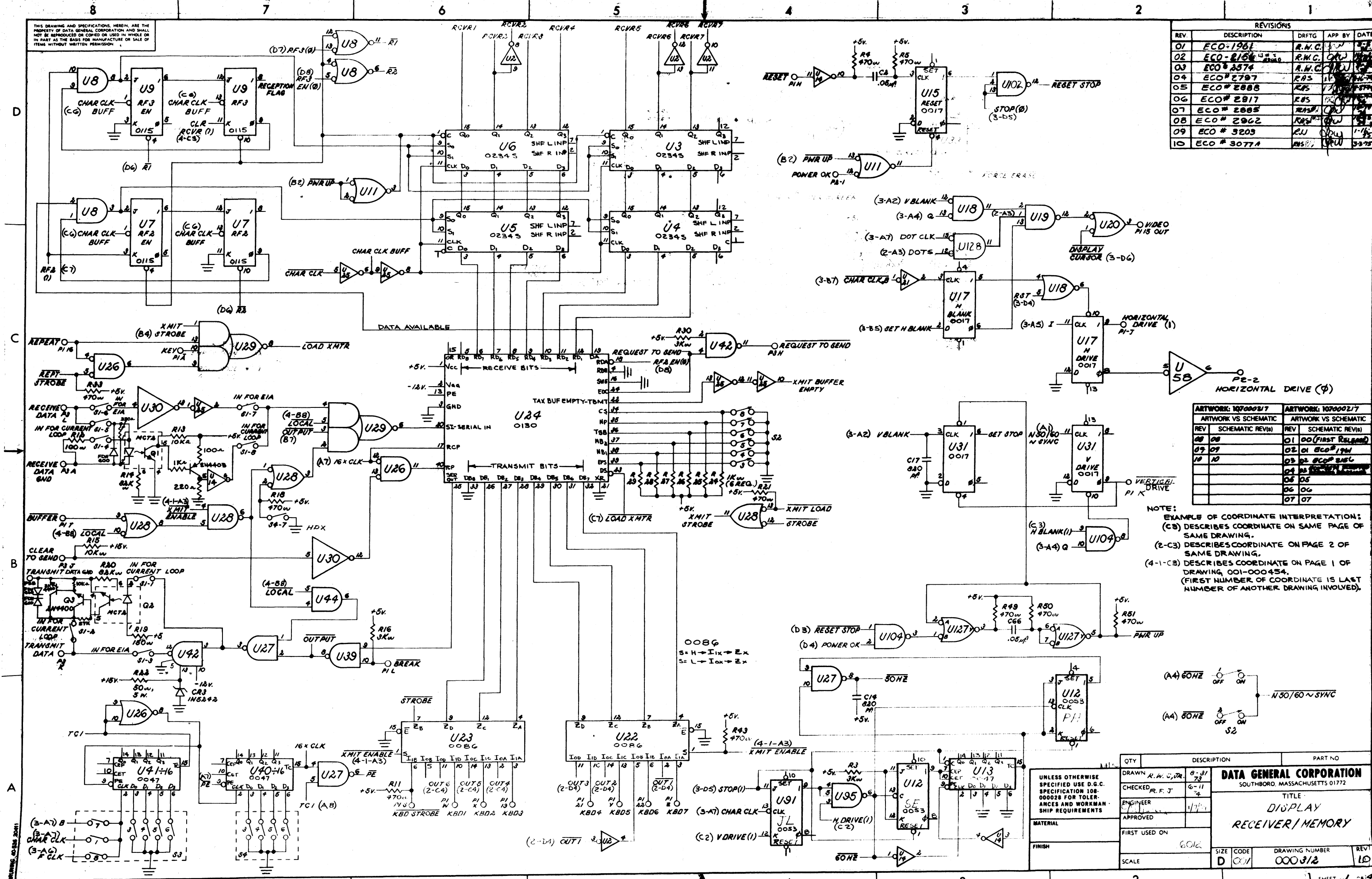


THIS DRAWING AND SPECIFICATIONS HEREIN ARE THE PROPERTY OF DATA GENERAL CORPORATION AND SHALL NOT BE REPRODUCED OR COPIED OR USED IN WHOLE OR IN PART AS THE BASIS FOR MANUFACTURE OR SALE OF ITEMS WITHOUT WRITTEN PERMISSION.

REVISIONS				
REV.	DESCRIPTION	DRFTG	APP BY	DATE
01	ECO# 1981	R.W.C.		
02	ECO# 2154	R.W.C.		
03	ECO# 2574	R.W.C.		
04	ECO# 2797	R.F.S.		
05	ECO# 2888	R.F.S.		
06	ECO# 2917	R.F.S.		
07	ECO# 2885	R.F.S.		
08	ECO# 2962	R.F.S.		
09	ECO# 3203	R.W.		
10	ECO# 3077A	R.F.S.		



ARTWORK: 107000217		ARTWORK: 107000217	
REV	SCHEMATIC REV(S)	REV	SCHEMATIC REV(S)
00	00	01	00 (FIRST RELEASED)
01	01	02	01 ECO# 1981
02	02	03	02 ECO# 2154
03	03	04	03 ECO# 2574
04	04	05	04 ECO# 2797
05	05	06	05 ECO# 2888
06	06	07	06 ECO# 2917
07	07		

NOTE:
 EXAMPLE OF COORDINATE INTERPRETATION:
 (C3) DESCRIBES COORDINATE ON SAME PAGE OF SAME DRAWING.
 (2-C3) DESCRIBES COORDINATE ON PAGE 2 OF SAME DRAWING.
 (4-1-C3) DESCRIBES COORDINATE ON PAGE 1 OF DRAWING 001-000434. (FIRST NUMBER OF COORDINATE IS LAST NUMBER OF ANOTHER DRAWING INVOLVED).

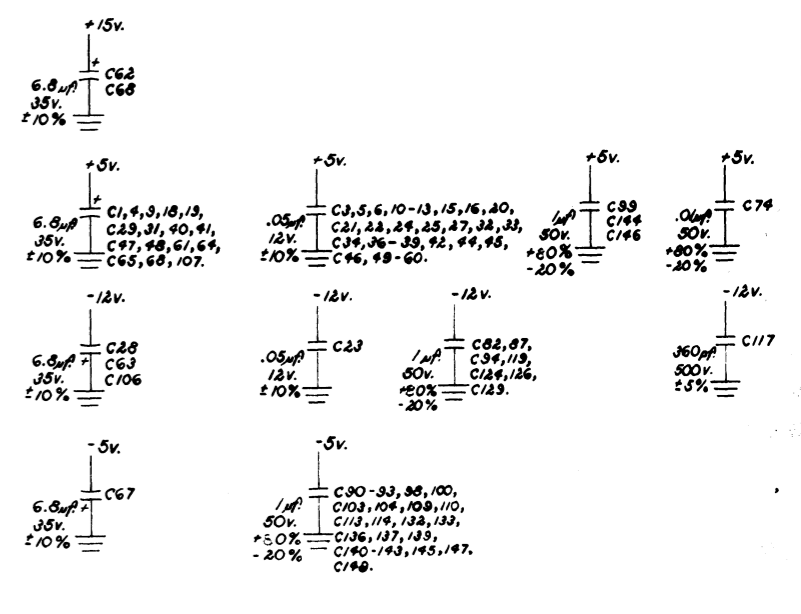
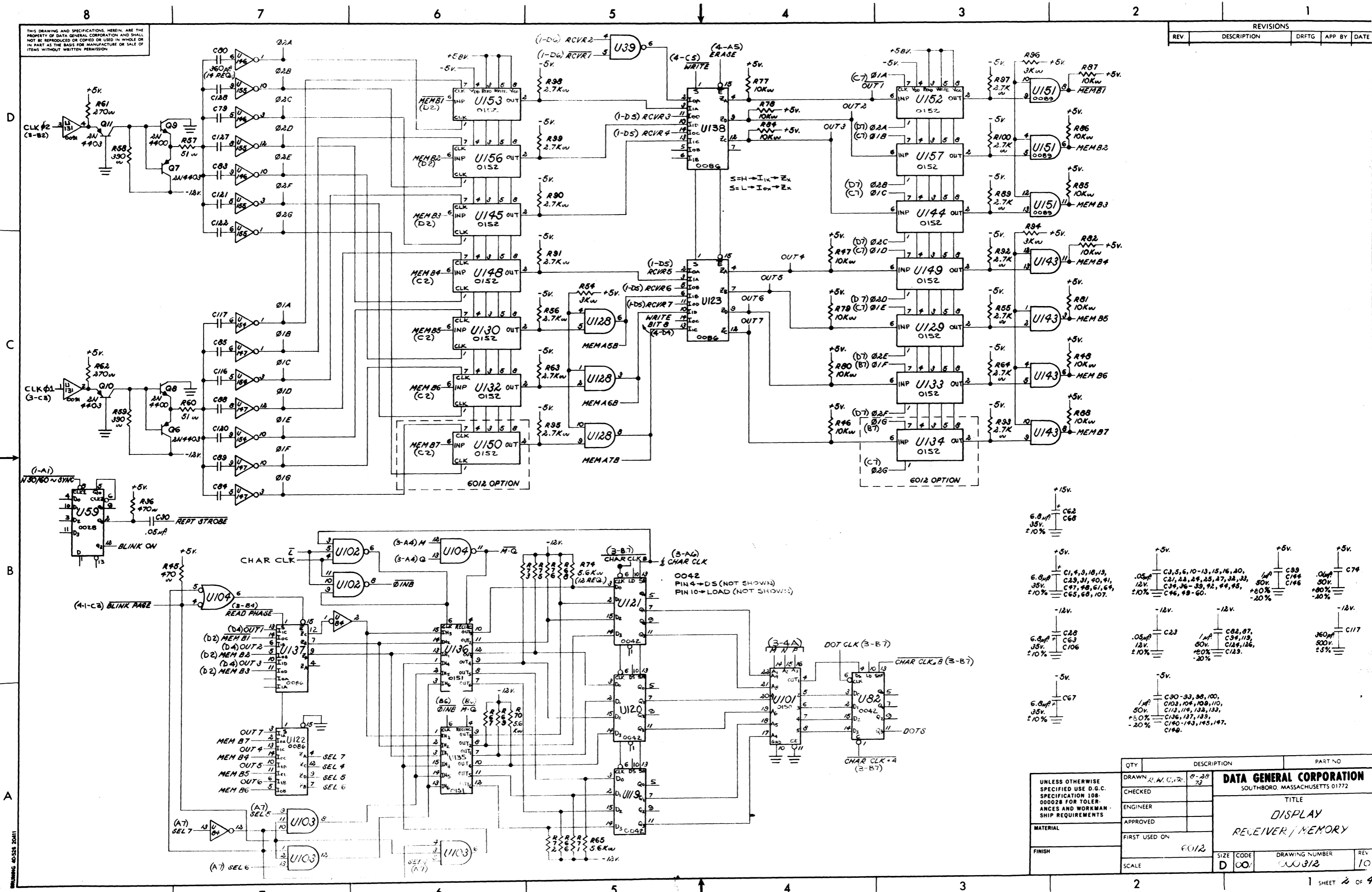
QTY	DESCRIPTION	PART NO
	UNLESS OTHERWISE SPECIFIED USE D.G.C. SPECIFICATION 108-00028 FOR TOLERANCES AND WORKMANSHIP REQUIREMENTS	
	DRAWN R.W.C./DR 8-91	
	CHECKED R.F.J 6-11	
	ENGINEER [Signature]	
	APPROVED [Signature]	
	FIRST USED ON 6016	
	SCALE	
	SIZE CODE D 001	DRAWING NUMBER 000312
		REV 10

DATA GENERAL CORPORATION
 SOUTHBORO, MASSACHUSETTS 01772
 TITLE
DISPLAY RECEIVER/MEMORY

DRAWING: 40-285 2041

THIS DRAWING AND SPECIFICATIONS, HEREIN, ARE THE PROPERTY OF DATA GENERAL CORPORATION AND SHALL NOT BE REPRODUCED OR COPIED OR USED IN WHOLE OR IN PART AS THE BASIS FOR MANUFACTURE OR SALE OF ITEMS WITHOUT WRITTEN PERMISSION

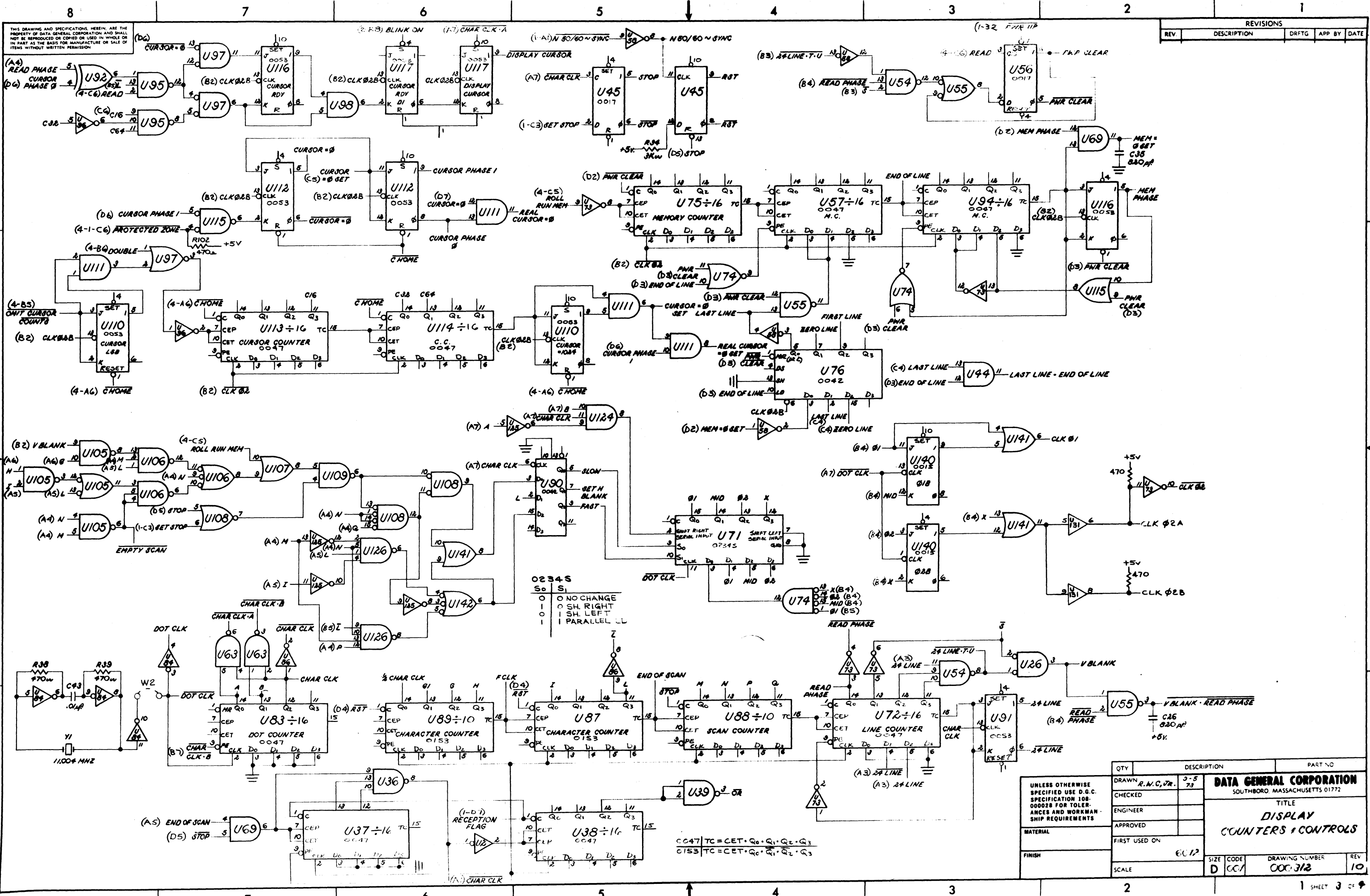
REVISIONS				
REV	DESCRIPTION	DRFTG	APP BY	DATE



QTY	DESCRIPTION	PART NO

UNLESS OTHERWISE SPECIFIED USE D.G.C. SPECIFICATION 108-00028 FOR TOLERANCES AND WORKMANSHIP REQUIREMENTS	DRAWN R.W.C. 9-29-73	DATA GENERAL CORPORATION SOUTHBORO, MASSACHUSETTS 01772
CHECKED		
MATERIAL	APPROVED	TITLE DISPLAY RECEIVER/MEMORY
FINISH	FIRST USED ON 6012	SIZE CODE D 00
	SCALE	DRAWING NUMBER 00312
		REV 10

DRAWING 40-555 20411



REVISIONS				
REV	DESCRIPTION	DRFTG	APP BY	DATE

QTY	DESCRIPTION	PART NO

UNLESS OTHERWISE SPECIFIED USE D.G.C. SPECIFICATION 100-00028 FOR TOLERANCES AND WORKMANSHIP REQUIREMENTS		DATA GENERAL CORPORATION SOUTHBORO, MASSACHUSETTS 01772	
TITLE DISPLAY COUNTERS & CONTROLS			
DRAWN R.A.C./J.R.		DATE 7-5-73	
CHECKED		APPROVED	
ENGINEER		FIRST USED ON	
MATERIAL		SCALE	
FINISH		SIZE CODE	
		DRAWING NUMBER	
		REV	
		10	

0234S
S₀ S₁

- 0 NO CHANGE
- 1 SH. RIGHT
- 1 SH. LEFT
- 1 PARALLEL LL

$$C047 TC = CET \cdot Q_0 \cdot Q_1 \cdot Q_2 \cdot Q_3$$

$$C153 TC = CET \cdot Q_0 \cdot Q_1 \cdot Q_2 \cdot Q_3$$

DRAWING 40-528 20411

