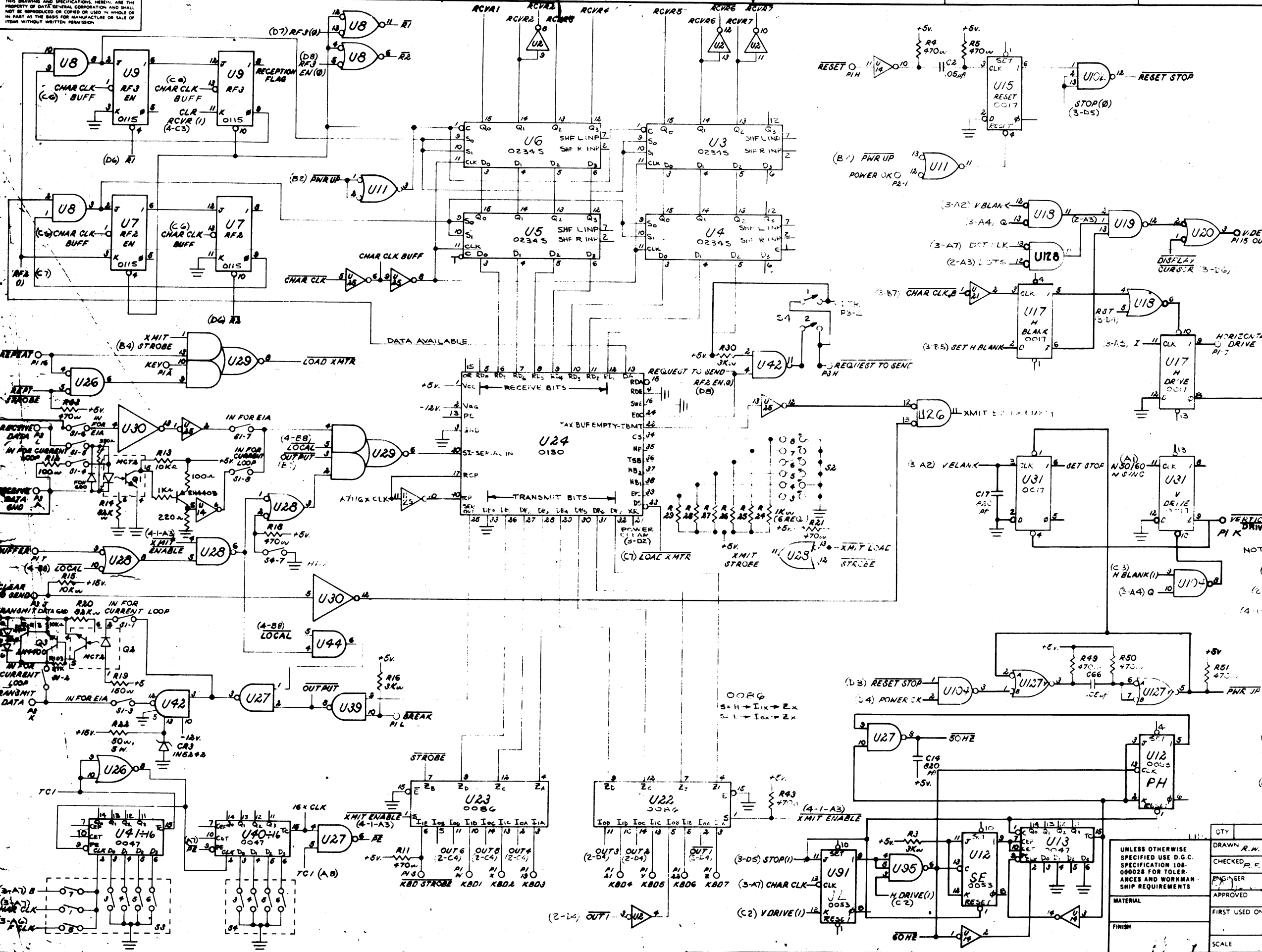


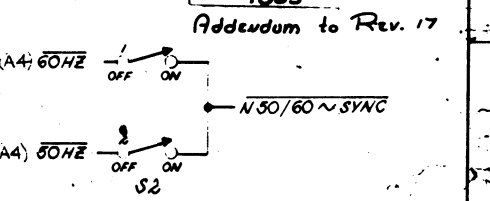
THIS DRAWING AND SPECIFICATIONS HEREIN ARE THE PROPERTY OF DATA GENERAL CORPORATION AND SHALL NOT BE REPRODUCED OR COPIED OR USED IN WHOLE OR IN PART AS THE BASIS FOR MANUFACTURE OR SALE OF ITEMS WITHOUT WRITTEN PERMISSION.



REVISIONS				
REV	DESCRIPTION	DRFTG	APP BY	DATE
01	ECO-1961	R.M.C.	FW	8-27-74
02	ECO-2156	R.M.C.	GW	9-11-74
03	ECO # 2574	R.M.C.	FW	9-11-74
04	ECO # 2797	R.M.C.	FW	9-11-74
05	ECO # 2888	R.M.C.	FW	9-11-74
06	ECO # 2917	R.M.C.	FW	9-11-74
07	ECO # 2885	R.M.C.	FW	9-11-74
08	ECO # 2962	R.M.C.	FW	9-11-74
09	ECO # 3203	R.M.C.	FW	9-11-74
10	ECO # 3077A	R.M.C.	FW	9-11-74
11	ECO # 3419	R.M.C.	FW	9-11-74
12	ECO # 3495	R.M.C.	FW	9-11-74
13	ECO # 3515	R.M.C.	FW	9-11-74
14	ECO # 3521	R.M.C.	FW	9-11-74
15	ECO # 3514	R.M.C.	FW	9-11-74
16	ECO # 3514	R.M.C.	FW	9-11-74
17	ECO # 3514	R.M.C.	FW	9-11-74
18	ECO # 4055 (Addendum)	R.M.C.	FW	9-11-74

ARTWORK: 1070002/7		ARTWORK: 1070002/7	
REV	SCHEMATIC REV(S)	REV	SCHEMATIC REV(S)
01	00	01	00 (FIRST RELEASE)
02	01	02	01 ECO#1961
03	02	03	02 ECO#2156
04	03	04	03 ECO#2574
05	04	05	04 ECO#2797
06	05	06	05 ECO#2885
07	06	07	06 ECO#2917
08	07	08	07 ECO#2885
09	08	09	08 ECO#2962
10	09	10	09 ECO#3203
11	10	11	10 ECO#3077A
12	11	12	11 ECO#3419
13	12	13	12 ECO#3495
14	13	14	13 ECO#3515
15	14	15	14 ECO#3521
16	15	16	15 ECO#3514
17	16	17	16 ECO#3514
18	17	18	17 ECO#4055

NOTE:
 EXAMPLE OF COORDINATE INTERPRETATION:
 (C8) DESCRIBES COORDINATE ON SAME PAGE OF SAME DRAWING.
 (2-C5) DESCRIBES COORDINATE ON PAGE 2 OF SAME DRAWING.
 (4-1) DESCRIBES COORDINATE ON PAGE 1 OF DRAWING 001-000454. (FIRST NUMBER OF COORDINATE IS LAST NUMBER OF ANOTHER DRAWING INVOLVED.)



QTY	DESCRIPTION	PART NO
1	U12 PH	74003
1	U13 V DRIVE	7407
1	U14 H DRIVE	7407
1	U15 RESET	7417
1	U16 H DRIVE	7407
1	U17 V DRIVE	7407
1	U18 V BLANK	7407
1	U19 H BLANK	7407
1	U20 DISPLAY CURSOR	7407
1	U21 V DRIVE	7407
1	U22 H DRIVE	7407
1	U23 STROBE	7407
1	U24 TAX BUF EMPTY	0130
1	U25 XMIT STROBE	7407
1	U26 XMIT ENABLE	7407
1	U27 XMIT ENABLE	7407
1	U28 XMIT ENABLE	7407
1	U29 XMIT ENABLE	7407
1	U30 XMIT ENABLE	7407
1	U31 V DRIVE	7407
1	U32 XMIT STROBE	7407
1	U33 XMIT STROBE	7407
1	U34 XMIT STROBE	7407
1	U35 XMIT STROBE	7407
1	U36 XMIT STROBE	7407
1	U37 XMIT STROBE	7407
1	U38 XMIT STROBE	7407
1	U39 XMIT STROBE	7407
1	U40 XMIT STROBE	7407
1	U41 XMIT STROBE	7407
1	U42 XMIT STROBE	7407
1	U43 XMIT STROBE	7407
1	U44 XMIT STROBE	7407
1	U45 XMIT STROBE	7407
1	U46 XMIT STROBE	7407
1	U47 XMIT STROBE	7407
1	U48 XMIT STROBE	7407
1	U49 XMIT STROBE	7407
1	U50 XMIT STROBE	7407
1	U51 XMIT STROBE	7407
1	U52 XMIT STROBE	7407
1	U53 XMIT STROBE	7407
1	U54 XMIT STROBE	7407
1	U55 XMIT STROBE	7407
1	U56 XMIT STROBE	7407
1	U57 XMIT STROBE	7407
1	U58 XMIT STROBE	7407
1	U59 XMIT STROBE	7407

UNLESS OTHERWISE SPECIFIED USE D.G.C. SPECIFICATION 108-00028 FOR TOLERANCES AND WORKMANSHIP REQUIREMENTS.

DATA GENERAL CORPORATION
 SOUTHBORO MASSACHUSETTS 01772.

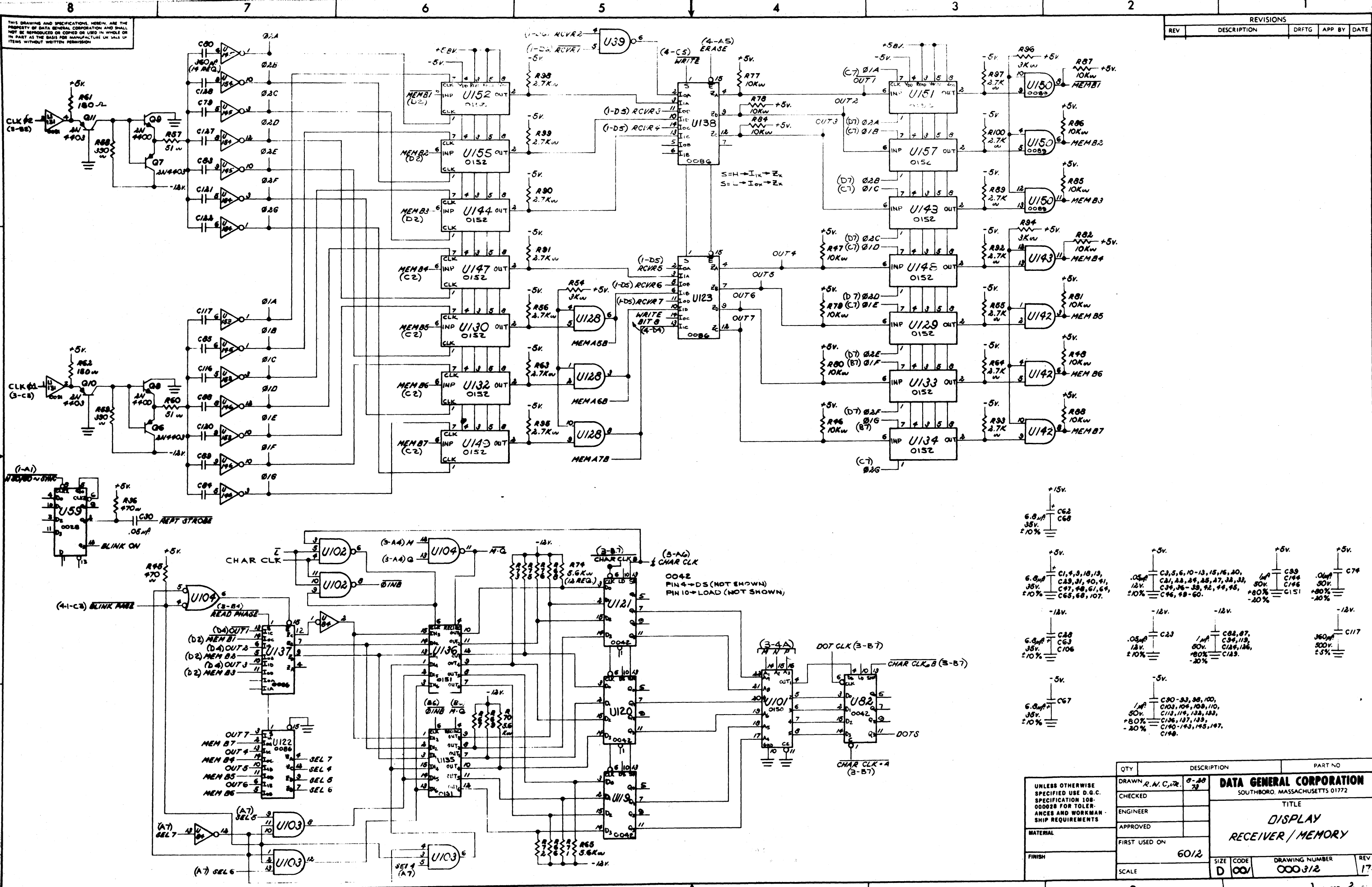
TITLE
 DISPLAY RECEIVER/MEMORY

DRAWN R.M.C. 8-31-74
 CHECKED R.F.J. 6-11-74
 ENGINEER
 APPROVED
 FIRST USED ON
 16012
 SCALE
 D 00/

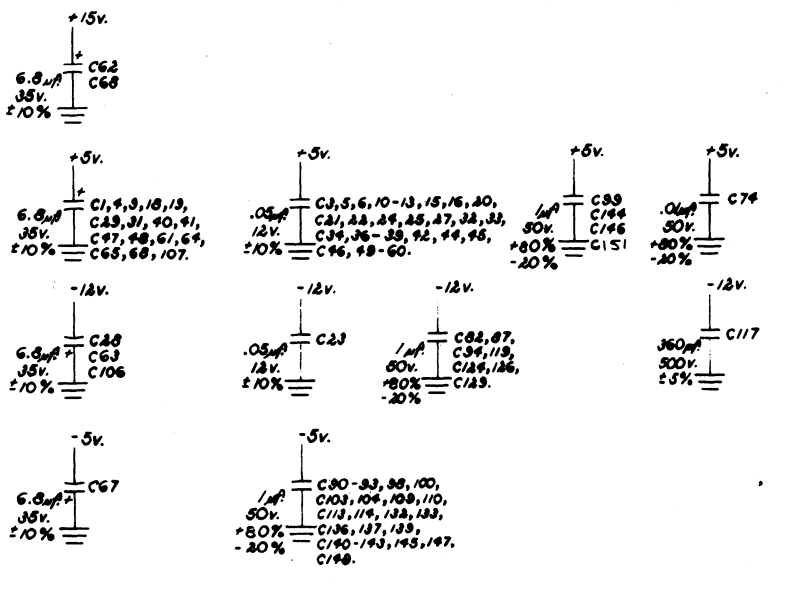
SIZE CODE
 D 00/

DRAWING NUMBER
 0003/3

REV
 18



REVISIONS				
REV	DESCRIPTION	DRFTG	APP BY	DATE



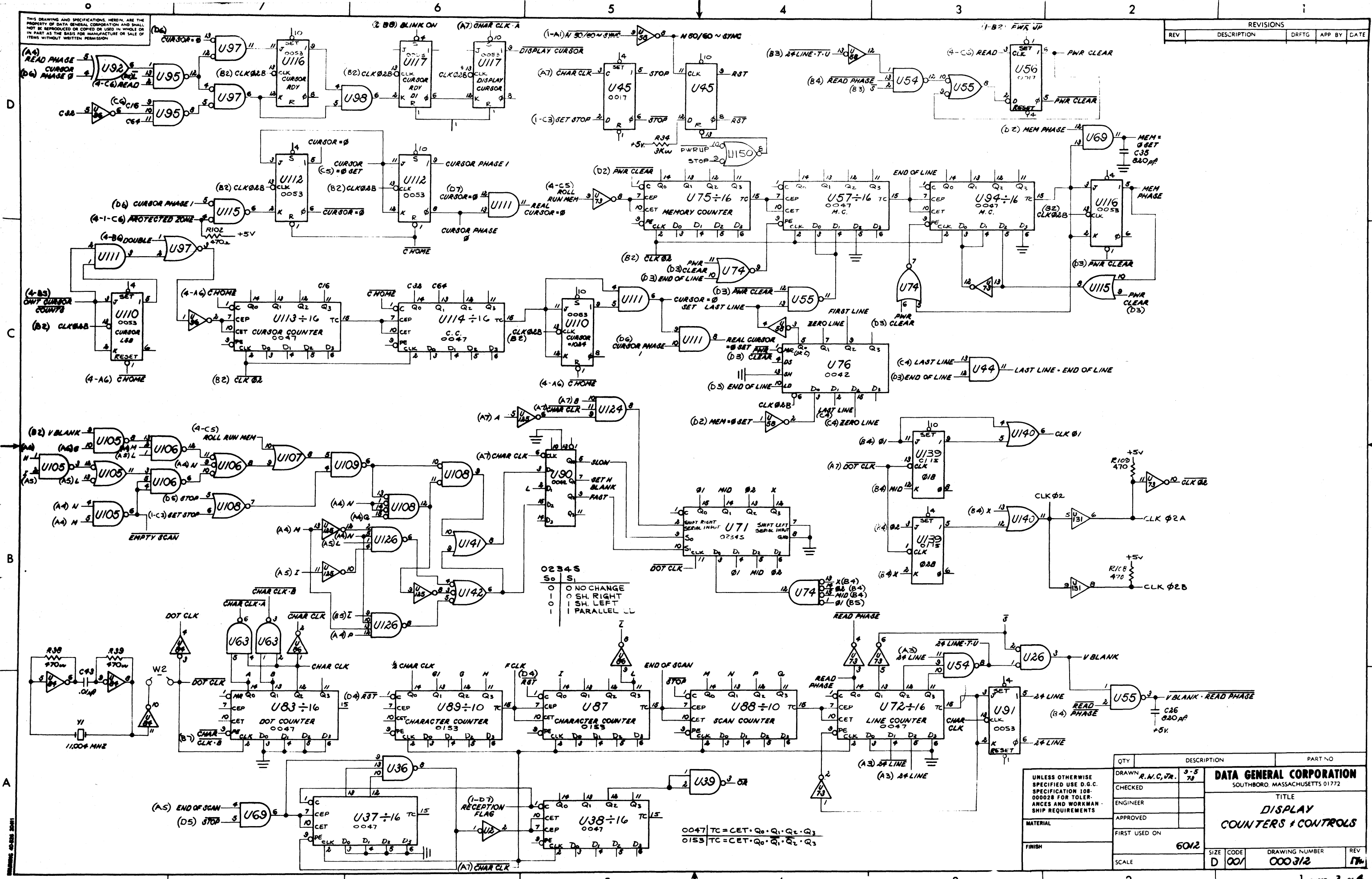
QTY	DESCRIPTION	PART NO

UNLESS OTHERWISE SPECIFIED USE D.G.C. SPECIFICATION 100-00028 FOR TOLERANCES AND WORKMANSHIP REQUIREMENTS	DRAWN R.A.C. 9-20-73 CHECKED ENGINEER APPROVED FIRST USED ON FINISH	DATA GENERAL CORPORATION SOUTHBORO, MASSACHUSETTS 01772 TITLE DISPLAY RECEIVER / MEMORY SIZE CODE D 00/ DRAWING NUMBER 000312 REV 17
---	--	---

THIS DRAWING AND SPECIFICATIONS HEREIN ARE THE PROPERTY OF DATA GENERAL CORPORATION AND SHALL NOT BE REPRODUCED OR COPIED OR USED IN WHOLE OR IN PART AS THE BASIS FOR MANUFACTURE OR SALE OF ITEMS WITHOUT WRITTEN PERMISSION

THIS DRAWING AND SPECIFICATIONS HEREIN ARE THE PROPERTY OF DATA GENERAL CORPORATION AND SHALL NOT BE REPRODUCED OR COPIED OR USED IN WHOLE OR IN PART AS THE BASIS FOR MANUFACTURE OR SALE OF ITEMS WITHOUT WRITTEN PERMISSION.

REVISIONS			
REV	DESCRIPTION	DRFTG	APP BY DATE

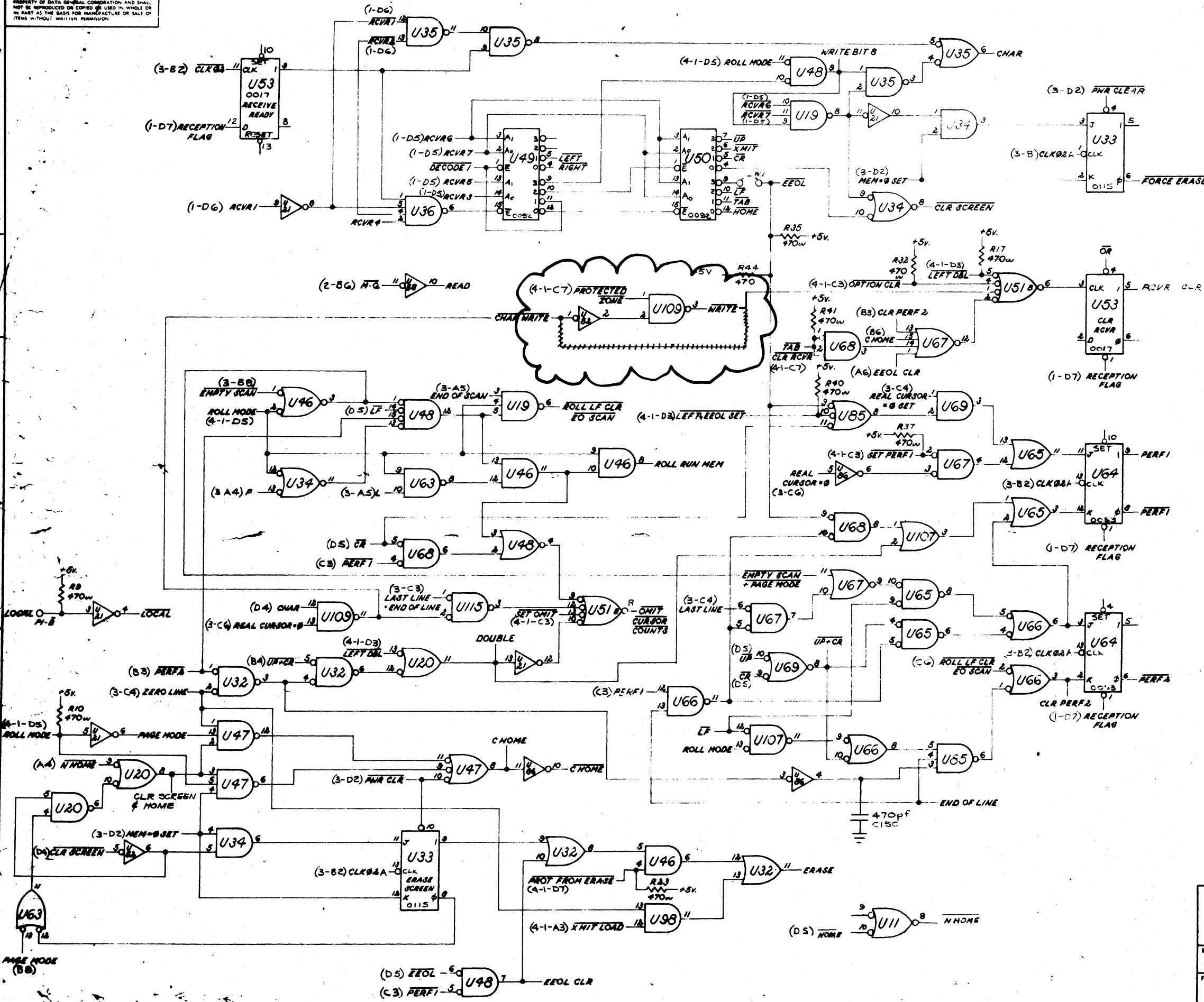


QTY	DESCRIPTION	PART NO

UNLESS OTHERWISE SPECIFIED USE D.G.C. SPECIFICATION 108-00028 FOR TOLERANCES AND WORKMANSHIP REQUIREMENTS		DRAWN R.M.C. 9-5-78	
MATERIAL		CHECKED	
FINISH		ENGINEER	
		APPROVED	
		FIRST USED ON	
		6012	
SCALE	SIZE	CODE	DRAWING NUMBER
	D	001	000312
			REV
			17

THIS DRAWING AND SPECIFICATIONS HEREIN ARE THE PROPERTY OF DATA GENERAL CORPORATION AND SHALL NOT BE REPRODUCED OR COPIED IN WHOLE OR IN PART AS THE BASIS FOR MANUFACTURE OR SALE OF ITEMS WITHOUT WRITTEN PERMISSION.

REVISIONS			
REV	DESCRIPTION	DRFTG	APP BY



UNLESS OTHERWISE SPECIFIED USE D.G.C. SPECIFICATION 108-00028 FOR TOLERANCES AND WORKMANSHIP REQUIREMENTS	QTY	DESCRIPTION	PART NO
	DRAWN	R.N.C./78	9-13 74
	CHECKED		
	ENGINEER		
	APPROVED		
MATERIAL	FIRST USED ON	DATE	
FINISH	SCALE	SCALE	
DRAWING NUMBER		DRAWING NUMBER	
6012		000312	

ADDENDUM TO REV 17 8-4-76
 W.B.
 4855

DATA GENERAL CORPORATION
 SOUTHBORO, MASSACHUSETTS 01772

TITLE
DISPLAY FUNCTION CONTROLS

SIZE CODE
 D 00

DRAWING NUMBER
 000312