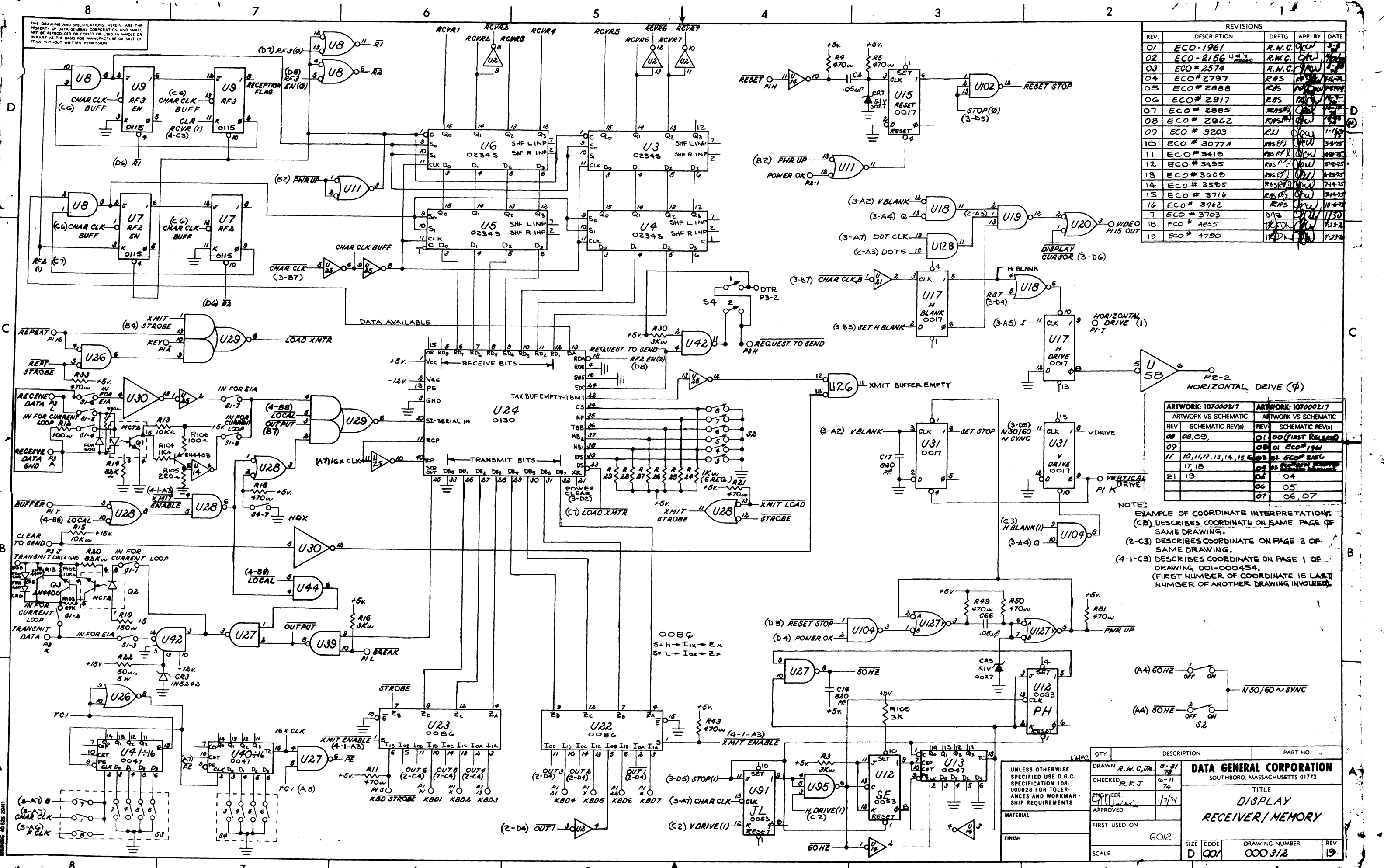


THIS DRAWING AND SPECIFICATIONS HEREIN ARE THE PROPERTY OF DATA GENERAL CORPORATION AND SHALL NOT BE REPRODUCED OR COPIED OR USED IN WHOLE OR IN PART AS THE BASIS FOR MANUFACTURE OR SALE OF ITEMS WITHOUT WRITTEN PERMISSION.



REVISIONS				
REV.	DESCRIPTION	DRFTG	APP BY	DATE
01	ECO-1961	R.W.C.	GRW	3-78
02	ECO-2156	R.W.C.	GRW	7-78
03	ECO# 2574	R.W.C.	GRW	1-79
04	ECO# 2797	RAS	GRW	1-79
05	ECO# 2888	RAS	GRW	1-79
06	ECO# 2917	RAS	GRW	1-79
07	ECO# 2885	RAS	GRW	1-79
08	ECO# 2962	RAS	GRW	1-79
09	ECO# 3203	RW	GRW	1-79
10	ECO# 30774	RAS	GRW	3-79
11	ECO# 3419	RAS	GRW	4-79
12	ECO# 3495	RAS	GRW	5-79
13	ECO# 3609	RAS	GRW	6-79
14	ECO# 3585	RAS	GRW	7-79
15	ECO# 3716	RAS	GRW	7-79
16	ECO# 3462	RAS	GRW	10-79
17	ECO# 3703	RAS	GRW	11-79
18	ECO# 4855	RAS	GRW	1-80
19	ECO# 4790	RAS	GRW	1-80

ARTWORK: 107000217		ARTWORK: 107000217	
REV	SCHEMATIC REV(S)	REV	SCHEMATIC REV(S)
08	08, 09	01	00 (FIRST RELEASE)
09		02	01 ECO# 1961
11	10, 11, 12, 13, 14, 15	03	02 ECO# 2156
17, 18		04	03 ECO# 2574
21	19	06	04
		06	05
		07	06, 07

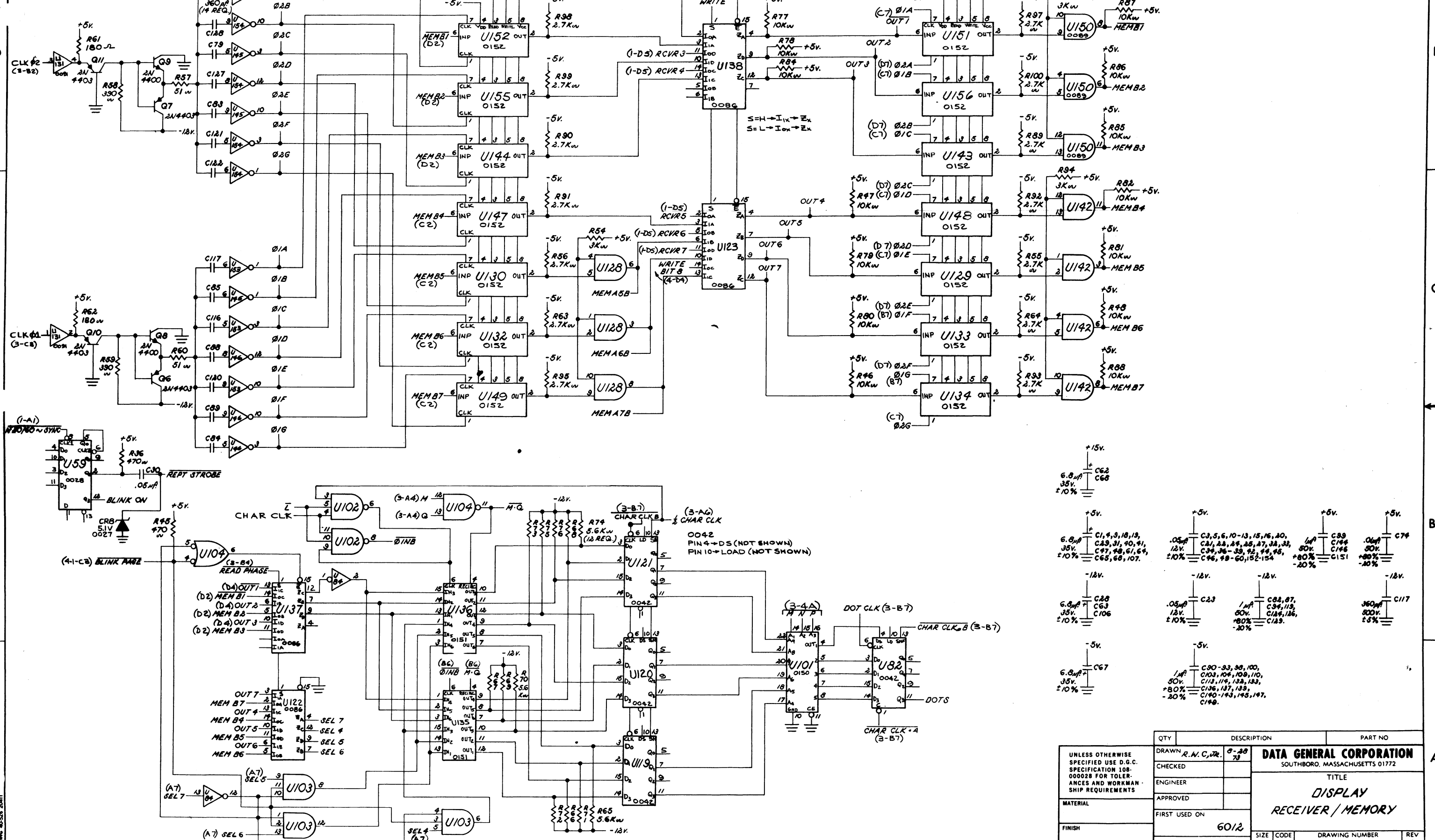
NOTE:
 EXAMPLE OF COORDINATE INTERPRETATION:
 (C3) DESCRIBES COORDINATE ON SAME PAGE OF SAME DRAWING.
 (2-C3) DESCRIBES COORDINATE ON PAGE 2 OF SAME DRAWING.
 (4-1-C3) DESCRIBES COORDINATE ON PAGE 1 OF DRAWING 001-000454.
 (FIRST NUMBER OF COORDINATE IS LAST NUMBER OF ANOTHER DRAWING INVOLVED).

QTY	DESCRIPTION	PART NO
	UNLESS OTHERWISE SPECIFIED USE D.G.C. SPECIFICATION 108-00028 FOR TOLERANCES AND WORKMANSHIP REQUIREMENTS	
	MATERIAL	
	FINISH	
	SCALE	
	SIZE	
	CODE	
	DRAWING NUMBER	
	REV	

DATA GENERAL CORPORATION
 SOUTH BORO, MASSACHUSETTS 01772
 TITLE
DISPLAY RECEIVER/MEMORY
 DRAWN R.W.C. 8-77
 CHECKED R.F.J. 6-78
 ENGINEER [Signature] 1/79
 APPROVED [Signature]
 FIRST USED ON 6012
 SIZE D CODE Q01 DRAWING NUMBER 000312 REV 19

REVISIONS				
REV	DESCRIPTION	DRFTG	APP BY	DATE

THIS DRAWING AND SPECIFICATIONS HEREIN ARE THE PROPERTY OF DATA GENERAL CORPORATION AND SHALL NOT BE REPRODUCED OR COPIED OR USED IN WHOLE OR IN PART AS THE BASIS FOR MANUFACTURE OR SALE OF ITEMS WITHOUT WRITTEN PERMISSION.



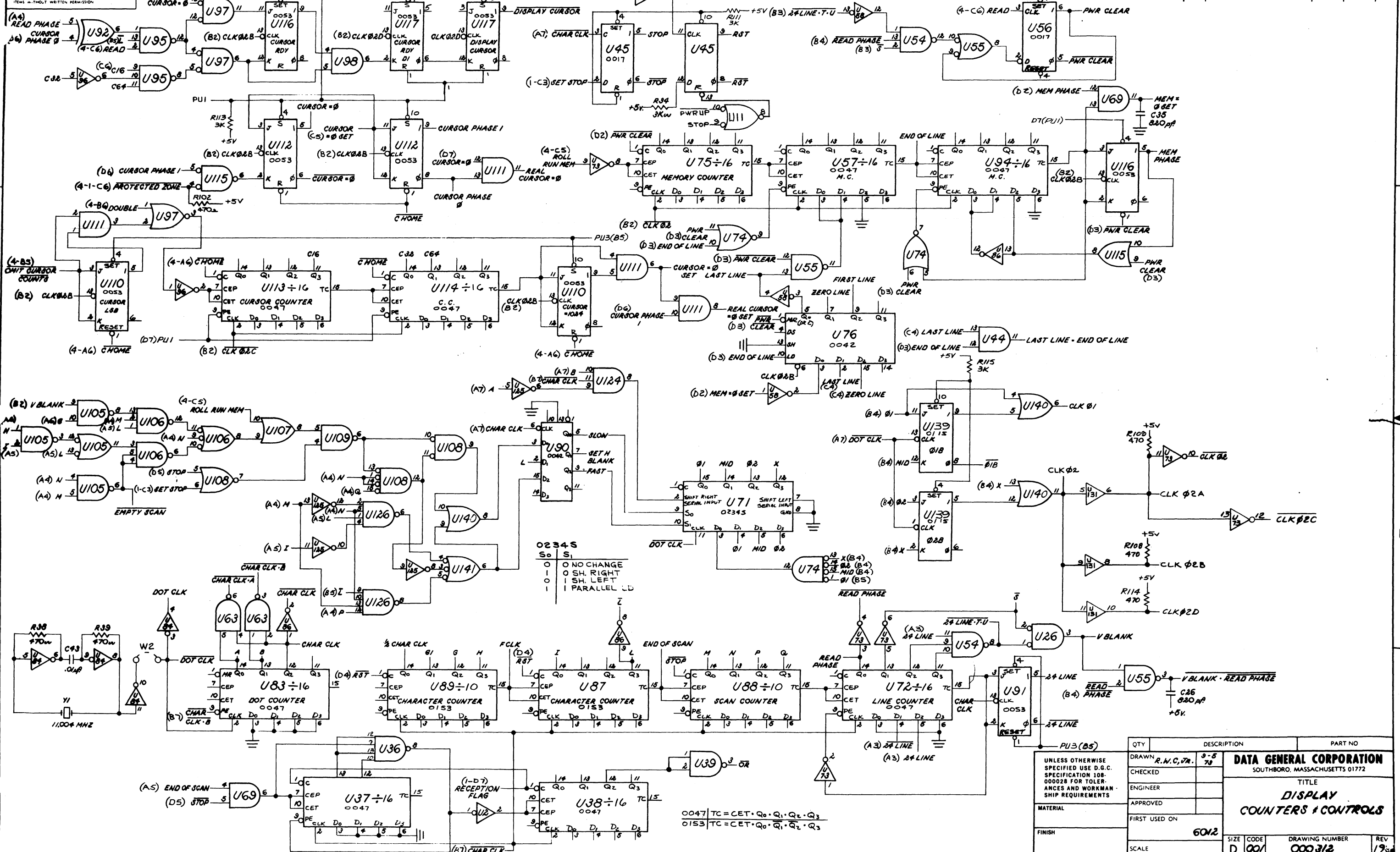
6.8μF 35V ±10%	C62 C68	+15V
6.8μF 35V ±10%	C1, 4, 9, 18, 19, C29, 31, 40, 41, C47, 48, 61, 64, C65, 68, 107.	+5V
6.8μF 35V ±10%	C28 C63 C106	+5V
6.8μF 35V ±10%	C67	+5V
.05μF 12V ±10%	C23	+5V
1μF 50V ±20%	C82, 87, C94, 119, C124, 126, C133.	+5V
6.8μF 35V ±10%	C67	+5V
1μF 50V ±20%	C90-93, 98, 100, C103, 104, 109, 110, C112, 114, 132, 133, C136, 137, 139, C140-143, 145, 147, C148.	+5V
6.8μF 35V ±10%	C88 C94 C146 C151	+5V
360μF 35V ±5%	C117	+5V
6.8μF 35V ±10%	C28 C63 C106	+5V
.05μF 12V ±10%	C23	+5V
1μF 50V ±20%	C82, 87, C94, 119, C124, 126, C133.	+5V
6.8μF 35V ±10%	C67	+5V
1μF 50V ±20%	C90-93, 98, 100, C103, 104, 109, 110, C112, 114, 132, 133, C136, 137, 139, C140-143, 145, 147, C148.	+5V

QTY	DESCRIPTION	PART NO

UNLESS OTHERWISE SPECIFIED USE D.G.C. SPECIFICATION 108-00028 FOR TOLERANCES AND WORKMANSHIP REQUIREMENTS.	DRAWN	R.W.C./J.R.	7/79	DATA GENERAL CORPORATION SOUTHBORO, MASSACHUSETTS 01772 DISPLAY RECEIVER/MEMORY
	CHECKED			
	ENGINEER			
	APPROVED			
MATERIAL				
FINISH				

THIS DRAWING AND SPECIFICATIONS HEREIN ARE THE PROPERTY OF DATA GENERAL CORPORATION AND SHALL NOT BE REPRODUCED OR COPIED OR USED IN WHOLE OR IN PART AS THE BASIS FOR MANUFACTURE OR SALE OF ITEMS WITHOUT WRITTEN PERMISSION.

REVISIONS			
REV.	DESCRIPTION	DRFTG	APP BY DATE

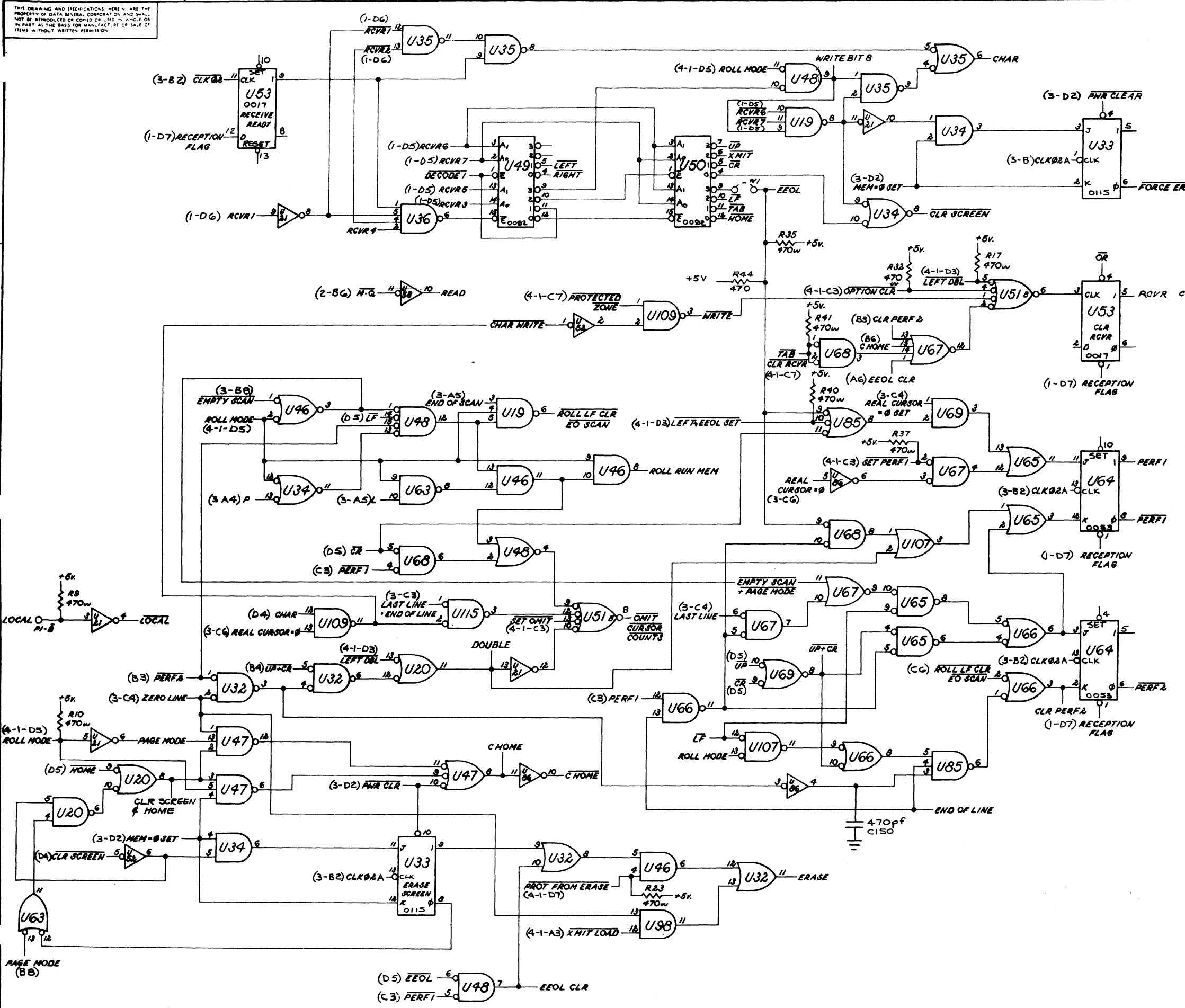


QTY	DESCRIPTION	PART NO

UNLESS OTHERWISE SPECIFIED USE D.G.C. SPECIFICATION 108-00028 FOR TOLERANCES AND WORKMANSHIP REQUIREMENTS	DRAWN R.M.C./78. 9-5 79	DATA GENERAL CORPORATION SOUTHBORO, MASSACHUSETTS 01772 TITLE DISPLAY COUNTERS & CONTROLS
MATERIAL	ENGINEER	
FINISH	APPROVED	
	FIRST USED ON	
	6012	SIZE CODE DRAWING NUMBER REV
	D 001 000312 19	

DRAWING 40-535 20011

REVISIONS			
REV	DESCRIPTION	DRFTG	APP BY DATE



THIS DRAWING AND SPECIFICATIONS HEREIN ARE THE PROPERTY OF DATA GENERAL CORPORATION, AND SHALL NOT BE REPRODUCED OR COPIED OR IN ANY MANNER OR IN PART AS THE BASIS FOR MANUFACTURE OR SALE OF ITEMS WITHOUT WRITTEN PERMISSION.

QTY	DESCRIPTION	PART NO
UNLESS OTHERWISE SPECIFIED USE D.G.C. SPECIFICATION 100-000028 FOR TOLERANCES AND WORKMANSHIP REQUIREMENTS		
DRAWN	R.A.C./2	9-13/78
CHECKED		
ENGINEER		
APPROVED		
FIRST USED ON		
SCALE	6012	
DATA GENERAL CORPORATION SOUTHBORO, MASSACHUSETTS 01772		
TITLE DISPLAY FUNCTION CONTROLS		
SIZE	CODE	DRAWING NUMBER
D	001	00012
REV		19