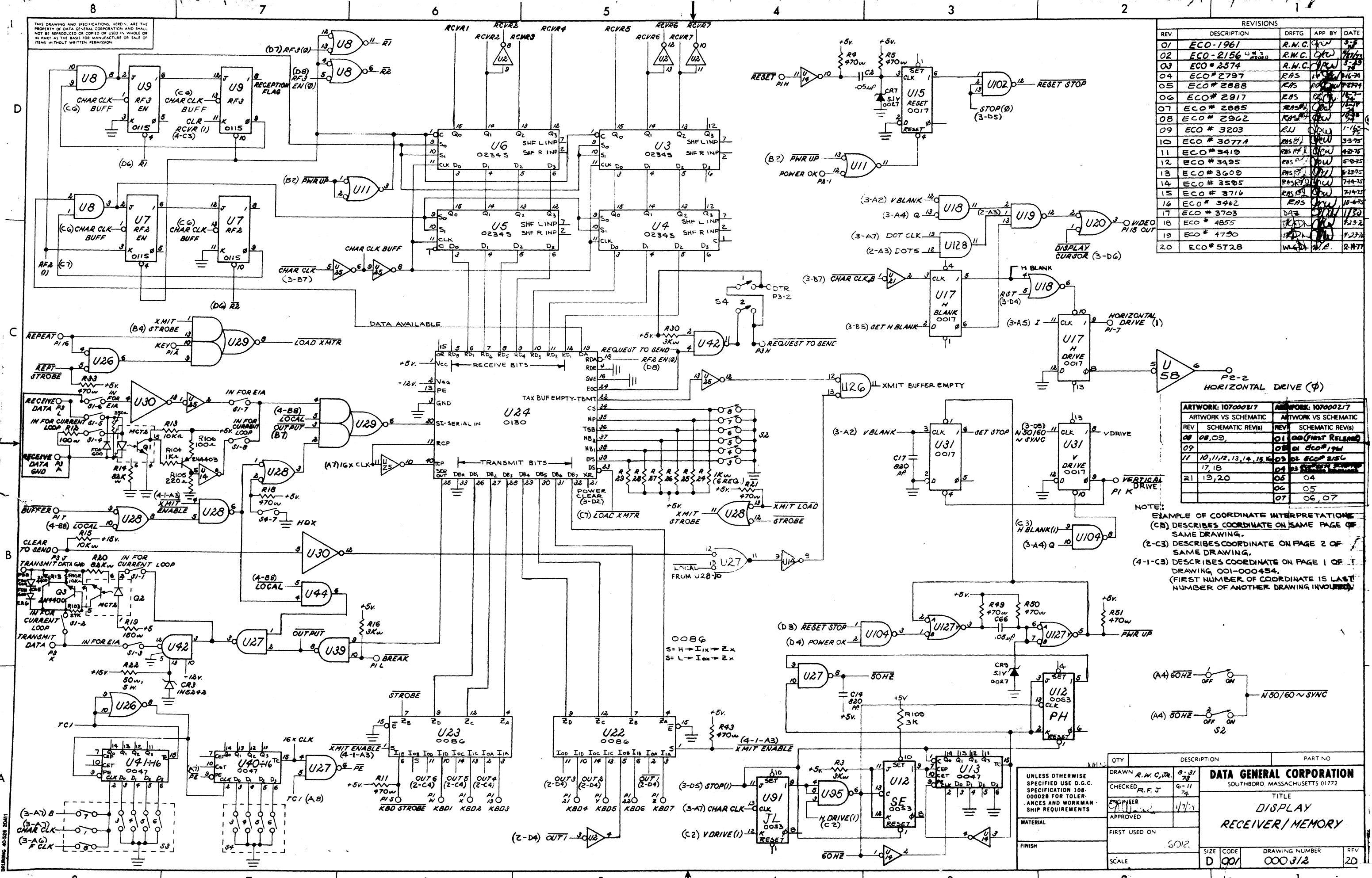


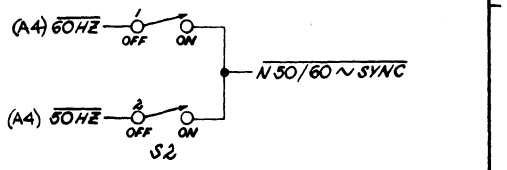
THIS DRAWING AND SPECIFICATIONS HEREIN ARE THE PROPERTY OF DATA GENERAL CORPORATION AND SHALL NOT BE REPRODUCED OR COPIED OR USED IN WHOLE OR IN PART AS THE BASIS FOR MANUFACTURE OR SALE OF ITEMS WITHOUT WRITTEN PERMISSION



REVISIONS				
REV	DESCRIPTION	DRFTG	APP BY	DATE
01	ECO-1961	R.N.C.	DR	3-5
02	ECO-2156	R.N.C.	DR	3-23
03	ECO# 2574	R.N.C.	DR	3-23
04	ECO# 2797	R.N.C.	DR	4-16-74
05	ECO# 2888	R.N.C.	DR	4-24-74
06	ECO# 2917	R.N.C.	DR	5-1-74
07	ECO# 2885	R.N.C.	DR	5-1-74
08	ECO# 2962	R.N.C.	DR	5-23-74
09	ECO# 3203	R.N.C.	DR	1-15-75
10	ECO# 3077A	R.N.C.	DR	3-3-75
11	ECO# 3419	R.N.C.	DR	4-2-75
12	ECO# 3495	R.N.C.	DR	5-9-75
13	ECO# 3609	R.N.C.	DR	6-23-75
14	ECO# 3505	R.N.C.	DR	7-14-75
15	ECO# 3716	R.N.C.	DR	2-14-75
16	ECO# 3462	R.N.C.	DR	10-4-75
17	ECO# 3703	R.N.C.	DR	11-20-75
18	ECO# 4855	R.N.C.	DR	1-23-76
19	ECO# 4790	R.N.C.	DR	4-23-76
20	ECO# 5728	R.N.C.	DR	2-11-77

ARTWORK: 107000217		ARTWORK: 107000217	
REV	SCHEMATIC REV(S)	REV	SCHEMATIC REV(S)
01	01, 02, 03	01	01 (FIRST RELEASE)
02	04, 05, 06, 07, 08, 09, 10, 11, 12, 13, 14, 15, 16, 17, 18	02	01 ECO# 1961
03	19, 20	03	02 ECO# 2156
04	21, 22, 23, 24, 25, 26, 27, 28, 29, 30, 31, 32, 33, 34, 35, 36, 37, 38, 39, 40, 41, 42, 43, 44, 45, 46, 47, 48, 49, 50, 51, 52, 53, 54, 55, 56, 57, 58, 59, 60, 61, 62, 63, 64, 65, 66, 67, 68, 69, 70, 71, 72, 73, 74, 75, 76, 77, 78, 79, 80, 81, 82, 83, 84, 85, 86, 87, 88, 89, 90, 91, 92, 93, 94, 95, 96, 97, 98, 99, 100	04	03 ECO# 2574
05		05	04 ECO# 2797
06		06	05 ECO# 2888
07		07	06 ECO# 2917

NOTE:
 EXAMPLE OF COORDINATE INTERPRETATIONS
 (C8) DESCRIBES COORDINATE ON SAME PAGE OF SAME DRAWING.
 (2-C3) DESCRIBES COORDINATE ON PAGE 2 OF SAME DRAWING.
 (4-1-C3) DESCRIBES COORDINATE ON PAGE 1 OF DRAWING 001-000454. (FIRST NUMBER OF COORDINATE IS LAST NUMBER OF ANOTHER DRAWING INVOLVED)



QTY	DESCRIPTION	PART NO
1	U12 PH	0053
1	U13 SE	0047
1	U14 JL	0053
1	U15 U017	0017
1	U16 U017	0017
1	U17 U017	0017
1	U18 U017	0017
1	U19 U017	0017
1	U20 U017	0017
1	U21 U017	0017
1	U22 U086	0086
1	U23 U086	0086
1	U24 U0130	0130
1	U25 U017	0017
1	U26 U017	0017
1	U27 U017	0017
1	U28 U017	0017
1	U29 U017	0017
1	U30 U017	0017
1	U31 U017	0017
1	U32 U017	0017
1	U33 U017	0017
1	U34 U017	0017
1	U35 U017	0017
1	U36 U017	0017
1	U37 U017	0017
1	U38 U017	0017
1	U39 U017	0017
1	U40 U017	0017
1	U41 U017	0017
1	U42 U017	0017
1	U43 U017	0017
1	U44 U017	0017
1	U45 U017	0017
1	U46 U017	0017
1	U47 U017	0017
1	U48 U017	0017
1	U49 U017	0017
1	U50 U017	0017
1	U51 U017	0017
1	U52 U017	0017
1	U53 U017	0017
1	U54 U017	0017
1	U55 U017	0017
1	U56 U017	0017
1	U57 U017	0017
1	U58 U017	0017
1	U59 U017	0017
1	U60 U017	0017
1	U61 U017	0017
1	U62 U017	0017
1	U63 U017	0017
1	U64 U017	0017
1	U65 U017	0017
1	U66 U017	0017
1	U67 U017	0017
1	U68 U017	0017
1	U69 U017	0017
1	U70 U017	0017
1	U71 U017	0017
1	U72 U017	0017
1	U73 U017	0017
1	U74 U017	0017
1	U75 U017	0017
1	U76 U017	0017
1	U77 U017	0017
1	U78 U017	0017
1	U79 U017	0017
1	U80 U017	0017
1	U81 U017	0017
1	U82 U017	0017
1	U83 U017	0017
1	U84 U017	0017
1	U85 U017	0017
1	U86 U017	0017
1	U87 U017	0017
1	U88 U017	0017
1	U89 U017	0017
1	U90 U017	0017
1	U91 U017	0017
1	U92 U017	0017
1	U93 U017	0017
1	U94 U017	0017
1	U95 U017	0017
1	U96 U017	0017
1	U97 U017	0017
1	U98 U017	0017
1	U99 U017	0017
1	U100 U017	0017

UNLESS OTHERWISE SPECIFIED USE D.G.C. SPECIFICATION 108-00089 FOR TOLERANCES AND WORKMANSHIP REQUIREMENTS

DATA GENERAL CORPORATION
 SOUTHBORO, MASSACHUSETTS 01772

TITLE
 DISPLAY RECEIVER/MEMORY

SCALE
 5012

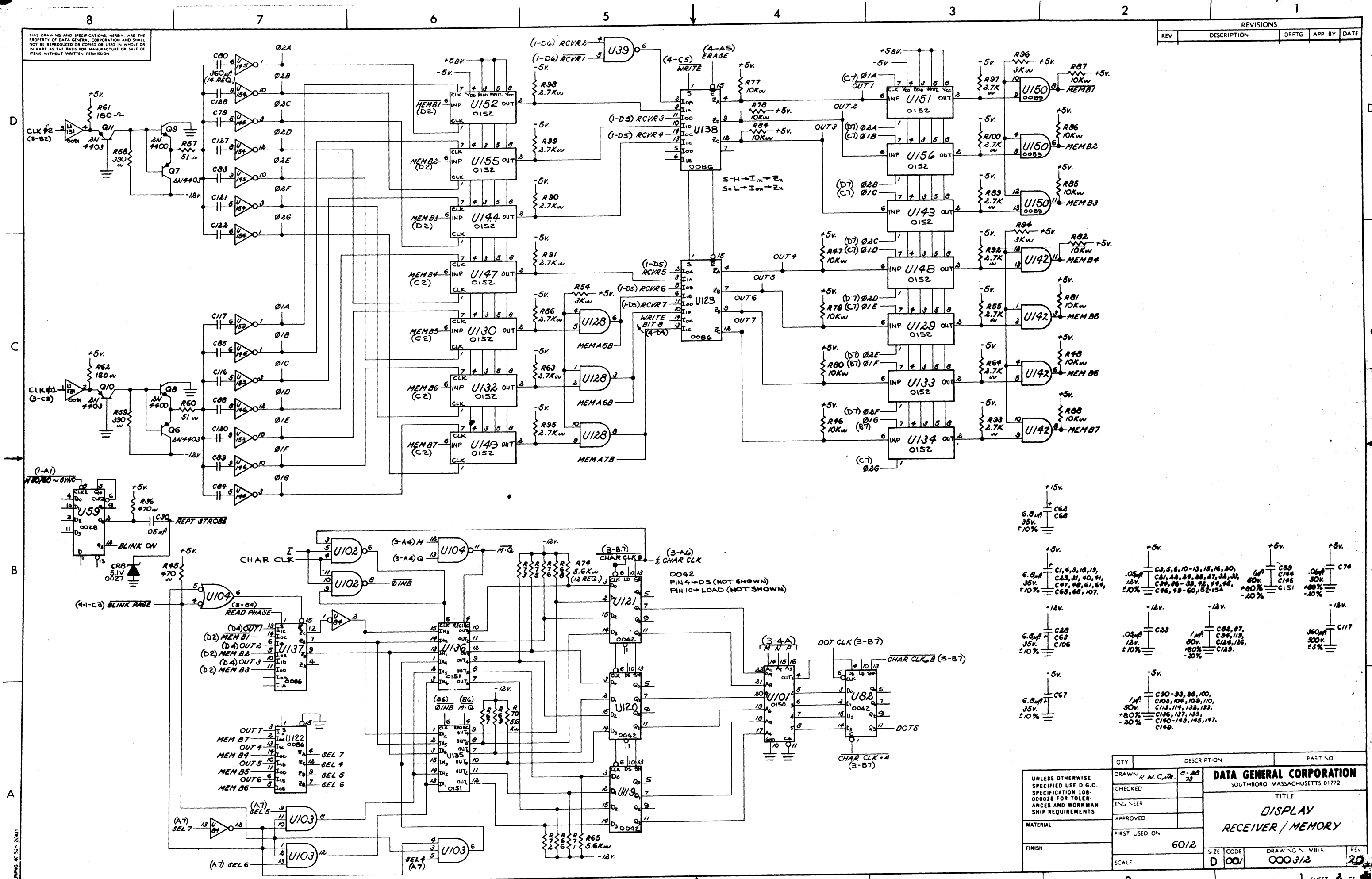
SIZE CODE
 D 001

DRAWING NUMBER
 000312

REV
 20

REVISIONS				
REV	DESCRIPTION	DRFTG	APP BY	DATE

THIS DRAWING AND SPECIFICATIONS, HEREIN, ARE THE PROPERTY OF DATA GENERAL CORPORATION AND SHALL NOT BE REPRODUCED OR COPIED OR USED IN WHOLE OR IN PART AS THE BASIS FOR MANUFACTURE OR SALE OF ITEMS WITHOUT WRITTEN PERMISSION



6.8µF ±10% C62	6.8µF ±10% C68	6.8µF ±10% C1, 9, 18, 19, 20, 23, 31, 40, 51, 52, 53, 54, 55, 56, 57, 58, 59, 60, 61, 62, 63, 64, 65, 66, 67, 68, 69, 70, 71, 72, 73, 74, 75, 76, 77, 78, 79, 80, 81, 82, 83, 84, 85, 86, 87, 88, 89, 90, 91, 92, 93, 94, 95, 96, 97, 98, 99	6.8µF ±10% C28	6.8µF ±10% C63	6.8µF ±10% C106	6.8µF ±10% C67	6.8µF ±10% C23	6.8µF ±10% C29	6.8µF ±10% C30	6.8µF ±10% C31	6.8µF ±10% C32	6.8µF ±10% C33	6.8µF ±10% C34	6.8µF ±10% C35	6.8µF ±10% C36	6.8µF ±10% C37	6.8µF ±10% C38	6.8µF ±10% C39	6.8µF ±10% C40	6.8µF ±10% C41	6.8µF ±10% C42	6.8µF ±10% C43	6.8µF ±10% C44	6.8µF ±10% C45	6.8µF ±10% C46	6.8µF ±10% C47	6.8µF ±10% C48	6.8µF ±10% C49	6.8µF ±10% C50	6.8µF ±10% C51	6.8µF ±10% C52	6.8µF ±10% C53	6.8µF ±10% C54	6.8µF ±10% C55	6.8µF ±10% C56	6.8µF ±10% C57	6.8µF ±10% C58	6.8µF ±10% C59	6.8µF ±10% C60	6.8µF ±10% C61	6.8µF ±10% C62	6.8µF ±10% C63	6.8µF ±10% C64	6.8µF ±10% C65	6.8µF ±10% C66	6.8µF ±10% C67	6.8µF ±10% C68	6.8µF ±10% C69	6.8µF ±10% C70	6.8µF ±10% C71	6.8µF ±10% C72	6.8µF ±10% C73	6.8µF ±10% C74	6.8µF ±10% C75	6.8µF ±10% C76	6.8µF ±10% C77	6.8µF ±10% C78	6.8µF ±10% C79	6.8µF ±10% C80	6.8µF ±10% C81	6.8µF ±10% C82	6.8µF ±10% C83	6.8µF ±10% C84	6.8µF ±10% C85	6.8µF ±10% C86	6.8µF ±10% C87	6.8µF ±10% C88	6.8µF ±10% C89
----------------	----------------	--	----------------	----------------	-----------------	----------------	----------------	----------------	----------------	----------------	----------------	----------------	----------------	----------------	----------------	----------------	----------------	----------------	----------------	----------------	----------------	----------------	----------------	----------------	----------------	----------------	----------------	----------------	----------------	----------------	----------------	----------------	----------------	----------------	----------------	----------------	----------------	----------------	----------------	----------------	----------------	----------------	----------------	----------------	----------------	----------------	----------------	----------------	----------------	----------------	----------------	----------------	----------------	----------------	----------------	----------------	----------------	----------------	----------------	----------------	----------------	----------------	----------------	----------------	----------------	----------------	----------------	----------------

QTY	DESCRIPTION	PART NO

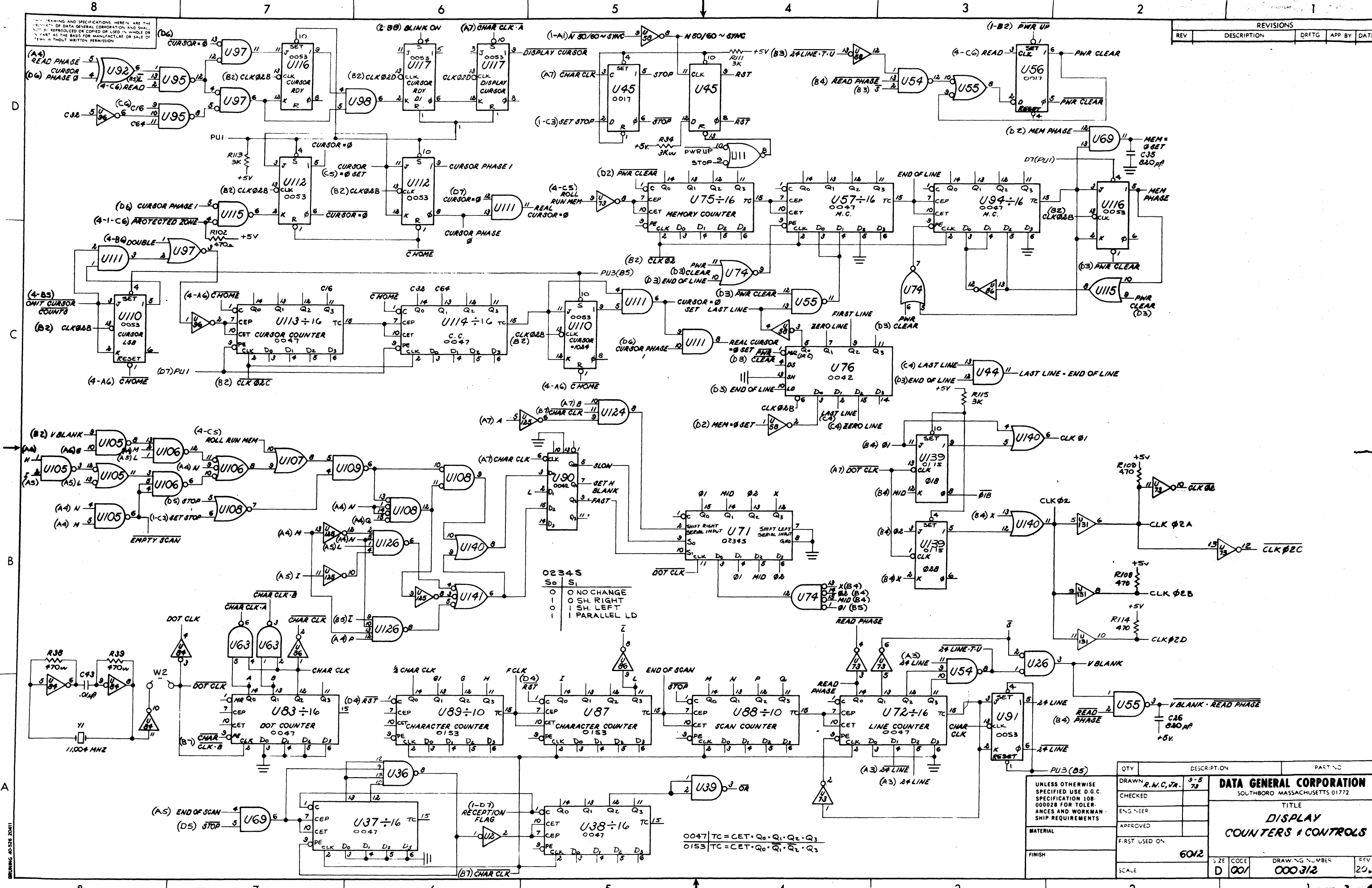
UNLESS OTHERWISE SPECIFIED USE D.G.C. SPECIFICATION 108-00028 FOR TOLERANCES AND WORKMANSHIP REQUIREMENTS	DRAWN R.A.C. 5-28-72 CHECKED ENG'NEER APPROVED FIRST USED ON 6012 SCALE	DATA GENERAL CORPORATION SOUTH BORO MASSACHUSETTS 01772 TITLE DISPLAY RECEIVER / MEMORY SIZE CODE D 00/ DRAWING NUMBER 000312 REV 20
---	---	--

DRAWING 40-151-2011

A

1 SHEET 2 OF 2

REVISIONS				
REV	DESCRIPTION	DRFTG	APP BY	DATE



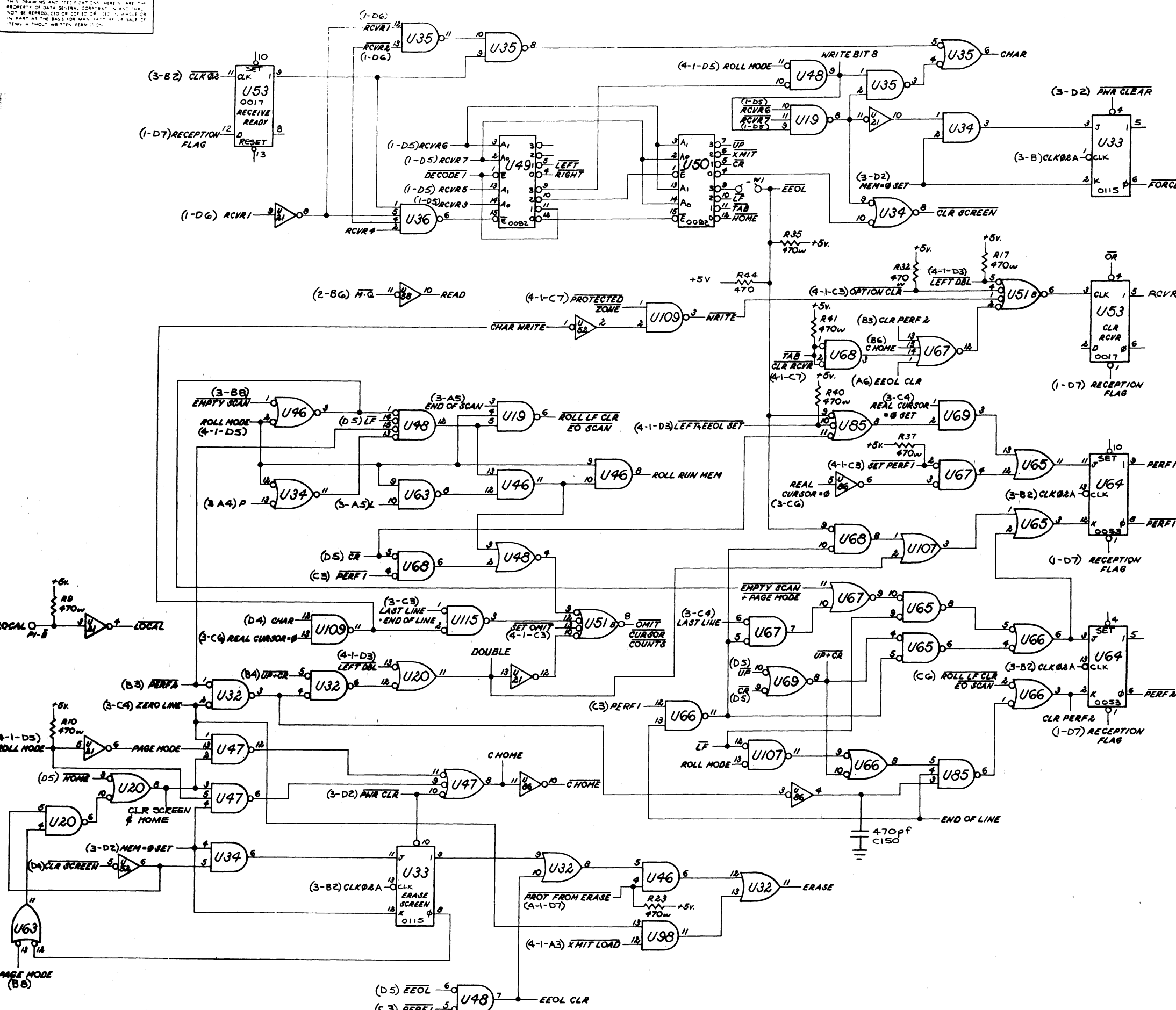
QTY	DESCRIPTION	PART NO

UNLESS OTHERWISE SPECIFIED USE D.G.C. SPECIFICATION 108-00028 FOR TOLERANCES AND WORKMANSHIP REQUIREMENTS		DATA GENERAL CORPORATION SOUTHBORO MASSACHUSETTS 01772	
DRAWN R.A.C. 78-9-5	CHECKED 78	TITLE DISPLAY COUNTERS & CONTROLS	
ENG NEER	APPROVED	MATERIAL	
FIRST USED ON		FINISH	
		6012	
SCALE		DZ	CODE
		D	001
		DRAWING NUMBER 000312	
		REV	20

DRAWING 40-526 20011

REVISIONS

REV.	DESCRIPTION	DRFTG	APP BY	DATE
------	-------------	-------	--------	------



UNLESS OTHERWISE SPECIFIED USE D.G.C. SPECIFICATION 108-000028 FOR TOLERANCES AND WORKMANSHIP REQUIREMENTS	QTY	DESCRIPTION	PART NO
DRAWN: R.N.C. 0-13 70	CHECKED:	DATA GENERAL CORPORATION SOUTH BORO, MASSACHUSETTS 01772	
ENGINEER:	APPROVED:	TITLE DISPLAY FUNCTION CONTROLS	
MATERIAL:	FIRST USED ON:	DRAWING NUMBER 000318	
FINISH:	SCALE	SIZE D	CODE 00
		SCALE	DATE 20

DRAWING 000318 20811