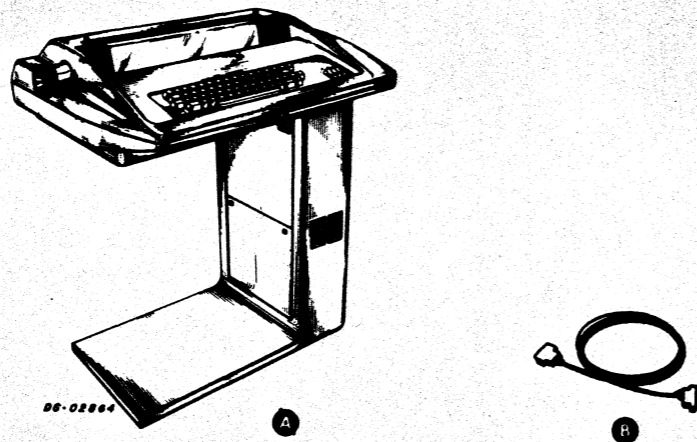


SUBSYSTEM COMPONENT BREAKDOWN



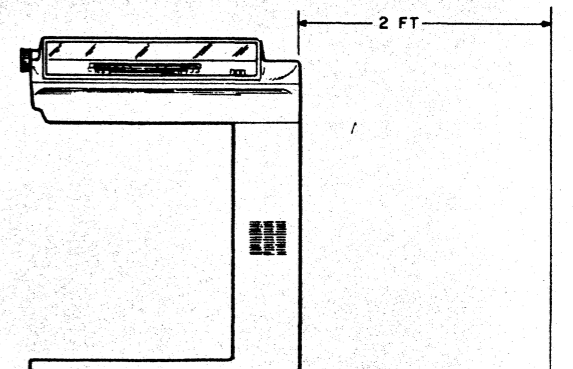
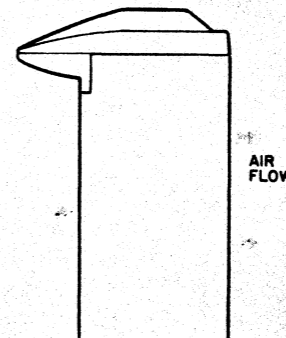
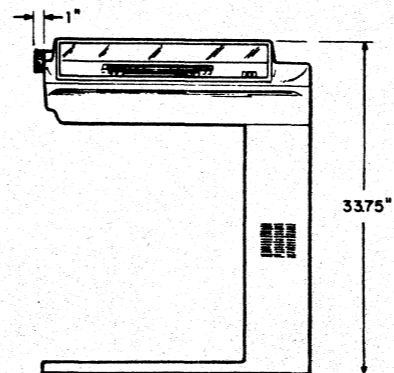
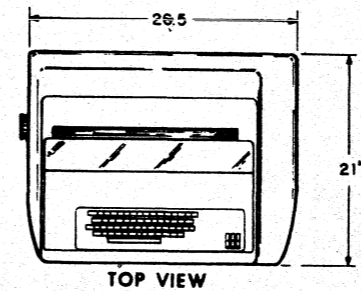
MAJOR COMPONENT			
Item	Component	Mounting Location	Notes
A	DATA TERMINAL	FREE-STANDING	PLUG-COMPATIBLE WITH 20mA OR EIA INTERFACE

CABLE				
Item	Cable	Connecting	Max Allowed Length	Notes
B	DEVICE CABLE (20mA)	20mA INTFCE " DATA CONNECTOR	1500 457	DEV CABLE VARIES WITH: 1) COMPUTER 2) BAUD RATE 3) INTERFACE
	DEVICE CABLE (EIA)	EIA INTFCE " DATA CONNECTOR	20 6.1	

SPECIFICATIONS OF FREE-STANDING COMPONENTS

Item	Component	Number in Sub-system	Weight		Operating Humidity (Relative)		Maximum Operating Temperature		Power Dissipation (Watts)	BTU/Hr (3.41 W)	Primary Power			Power Cable Length	Power Cable Connector	Power Drop Mating Power Receptacle	Wall Mating Power Receptacle
			lbs	kg	min	max	°F	°C			°F	°C	Current (Amps)				
A	100V	N/A	60	27	10%	90%	104*	N/A	200	682	2.0	100-15	47-63	6	5-15P	5-15R	5-15R
	120V	N/A									1.7	120-18	"	6	5-15P	5-15R	5-15R
	220V	N/A									0.9	220-33	"	6	6-15P	6-15R	6-15R
	240V	N/A									0.8	240-36	"	6	6-15P	6-15R	6-15R

*MINIMUM OPERATING TEMPERATURE: 50°F/10°C



NOTE REAR OF UNIT MUST BE AT LEAST 6" FROM WALL OR OTHER OBSTRUCTION TO PROVIDE COOLING AIR FLOW.

013-000840 BRUNING 40-526 27928

THIS DRAWING AND SPECIFICATIONS HEREIN ARE THE PROPERTY OF DATA GENERAL CORPORATION AND SHALL NOT BE REPRODUCED OR COPIED OR USED IN WHOLE OR IN PART AS THE BASIS FOR MANUFACTURE OR SALE OF ITEMS WITHOUT WRITTEN PERMISSION.

REV	00	01	02	03	04
ECO	5372	6054	6766	7483	7540
APP					
DATE	11/6/72		1/27/75	5/24/78	7/18/77

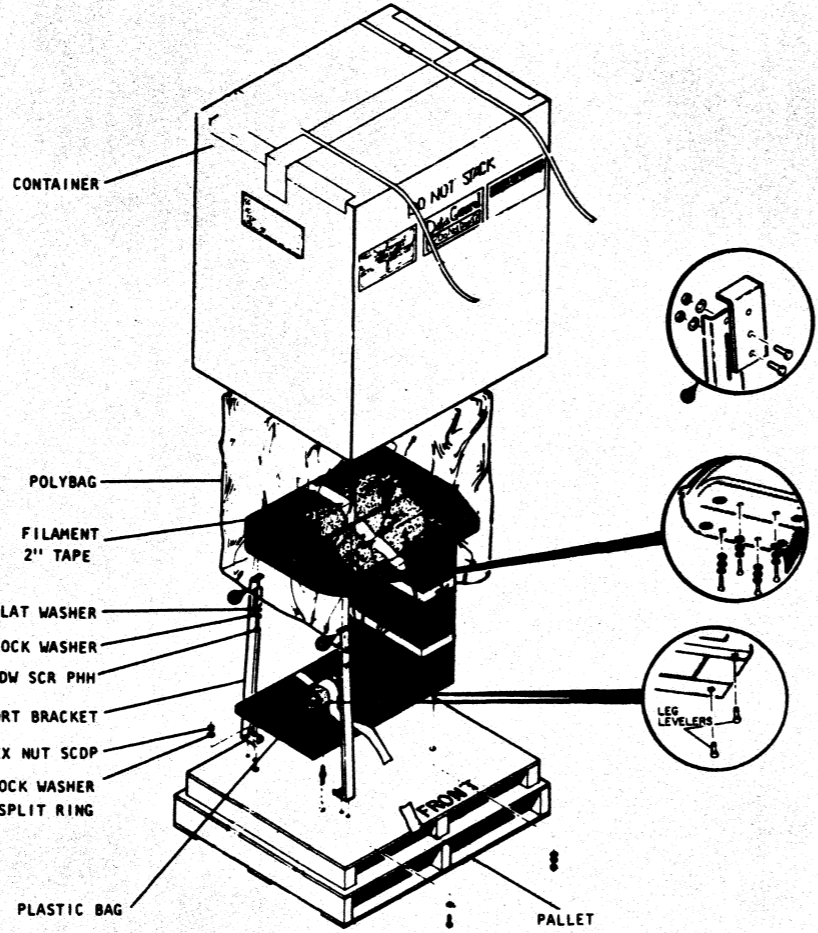
DRAWN	APPROVED
CHECKED	FIRST USED ON
ENGINEER	CODE IDENT 34984

TITLE
DASHER TPI TERMINAL
PRINTER SERIES 6040-6043

DATA GENERAL CORPORATION			
SOUTHBORO, MASSACHUSETTS 01772			
SIZE	CODE	DRAWING NUMBER	REV
C	010	000094	C4

4 3 2 1

SHIPPING

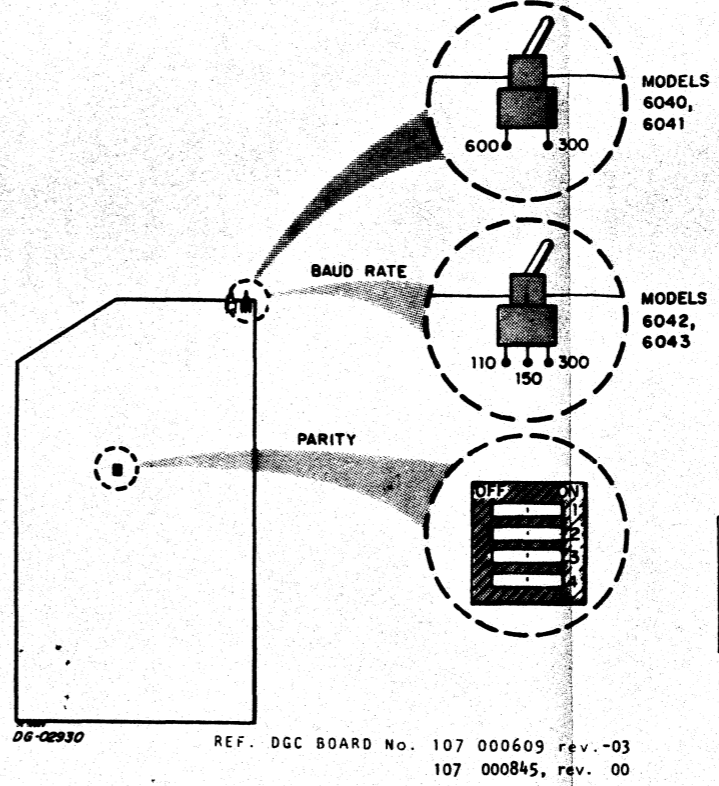


DG-03289

SHIPPING AND PACKAGE DATA					
Outside Dimensions			Weight (Gross)	Volume	Density
Length	Width	Depth			
in.	in.	in.	lbs.	cu ft.	lbs/cu ft.
cm	cm	cm	kg	cu m	kg/cu m
37	32.5	50	165	34.8	3.7
94	82.6	127	74	.98	60.2
SHIPPING SPECIFICATIONS			STORAGE SPECIFICATIONS		
Temperature Range	Relative Humidity	Maximum Altitude	Temperature Range	Relative Humidity	Maximum Period
-40 +160 -49 +71	0%/80% (Non-condensing)	50,000ft. 15,200m	-40 +160 -40 +71	0%/80% (Non-condensing)	90 days

DG-03224

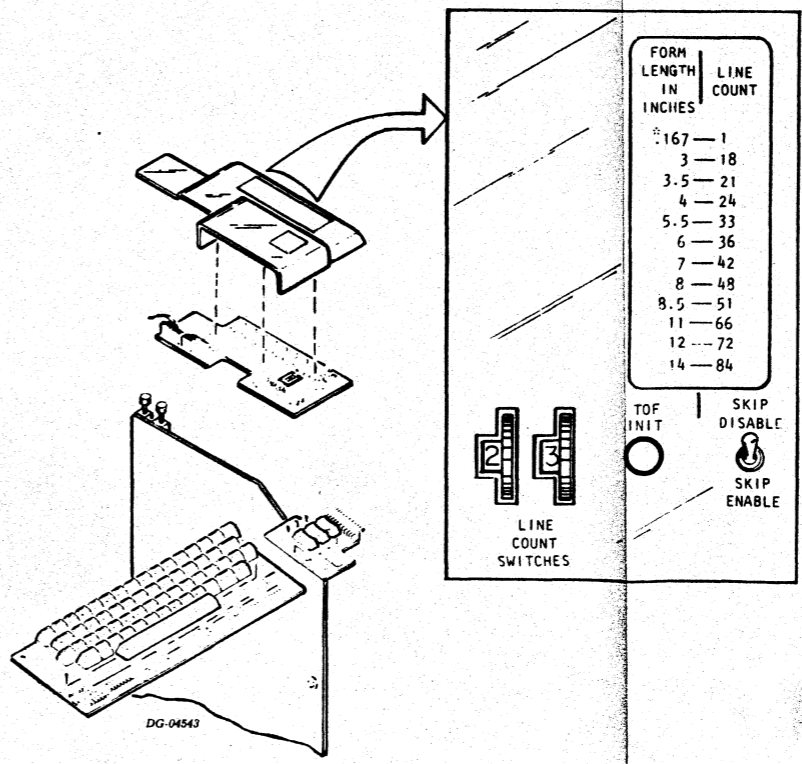
TAILORING SWITCHES



DG-02930 REF. DGC BOARD No. 107 000609 rev. -03
107 000845, rev. 00

PARITY	SWITCH CONFIGURATION			
	1	2	3	4
EVEN	OFF	ON		
ODD	ON	ON		
NONE	X	OFF		RESERVED FOR FUTURE USE.

"X" INDICATES THAT SETTING IS IRRELEVANT.
NOTE: STANDARD SWITCH CONFIGURATION IS FOR EVEN PARITY OPERATION.



SWITCH	OPERATION
LINE COUNT	SET TO LINE COUNT CORRESPONDING TO THE FORM LENGTH
TOF INIT	PUSH DOWN TO INITIATE LINE COUNTERS
SKIP DISABLE	USE TO DISABLE AUTO PERFORATION SKIP FEATURE

013-000840 BRUNING 40-526 27928

THIS DRAWING AND SPECIFICATIONS, HEREIN, ARE THE PROPERTY OF DATA GENERAL CORPORATION AND SHALL NOT BE REPRODUCED OR COPIED OR USED IN WHOLE OR IN PART AS THE BASIS FOR MANUFACTURE OR SALE OF ITEMS WITHOUT WRITTEN PERMISSION.

REV	DATE	APP	ECO

DRAWN	ENGINEER	APPROVED	CODE IDENT
			34984

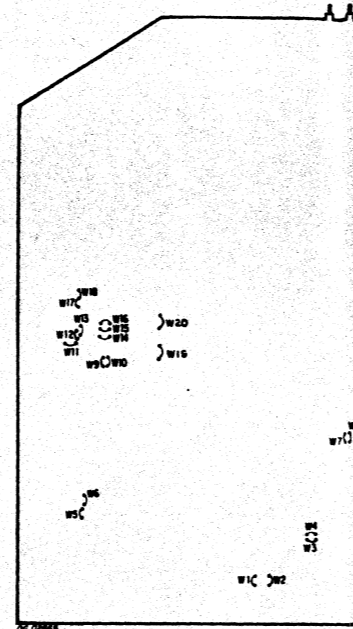
TITLE
**DASHER TPI TERMINAL
PRINTER SERIES 6040-6043**

DATA GENERAL CORPORATION WESTBORO, MASSACHUSETTS 01581			
SIZE	CODE	DRAWING NUMBER	REV
C	010	000094	04

JUMPERS

MODELS 6042, 6043 (110, 150 or 300 BAUD)

MODELS 6040, 6041 (300 or 600 BAUD)



INTERFACE	20mA			EIA		
	64	96	124	64	96	124
NUMBER OF PRINTABLE CHARACTERS						
JUMPER POSITIONS						
W1	0	0	0	0	0	0
W2	0	0	0	0	0	0
W3	1	1	1	0	0	0
W4	0	0	0	1	1	1
W5	0	0	0	0	0	0
W6	1	1	1	1	1	1
W7	0	0	0	1	1	1
W8	1	1	1	0	0	0
W9	0	1	1	0	1	1
W10	1	0	0	1	0	0
W11	1	1	1	1	1	1
W12	0	0	0	0	0	0
W13	0	0	0	0	0	0
W14	1	1	1	1	1	1
W15	0	0	0	0	0	0
W16	1	1	1	1	1	1
W17	0	0	0	0	0	0
W18	1	1	1	1	1	1
W19	1	1	1	1	1	1
W20	0	0	0	0	0	0

INTERFACE	20mA			EIA		
	64	96	124	64	96	124
NUMBER OF PRINTABLE CHARACTERS						
JUMPER POSITIONS						
W1	1	1	1	1	1	1
W2	0	0	0	0	0	0
W3	1	1	1	0	0	0
W4	0	0	0	1	1	1
W5	1	1	1	1	1	1
W6	0	0	0	0	0	0
W7	0	0	0	0	0	0
W8	1	1	1	0	0	0
W9	0	1	1	0	1	1
W10	1	0	0	1	0	0
W11	0	1	0	0	0	0
W12	1	1	1	1	1	1
W13	1	1	1	1	1	1
W14	0	0	0	0	0	0
W15	1	1	1	1	1	1
W16	0	0	0	0	0	0
W17	0	0	1	0	0	0
W18	1	1	1	1	1	1
W19	0	0	0	0	0	0
W20	1	1	1	1	1	1

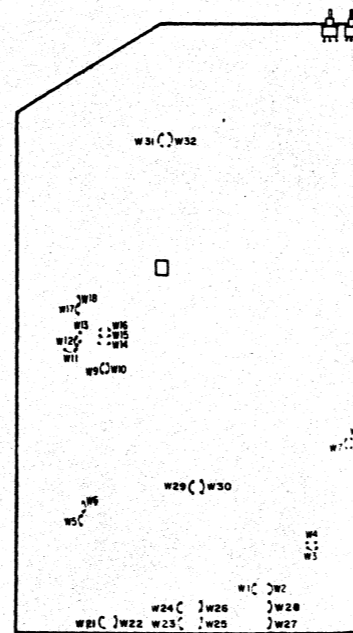
* 1 INDICATES JUMPER WIRE IN
0 INDICATES JUMPER WIRE OUT

* 1 INDICATES JUMPER WIRE IN
0 INDICATES JUMPER WIRE OUT

NOTE: STANDARD JUMPER CONFIGURATION IS FOR 96 CHARACTER, 20mA OPERATION.

NOTE: STANDARD JUMPER CONFIGURATION IS FOR 96 CHARACTER, 20mA OPERATION.

REF. DGC BOARD No. 107 000609 rev.03, 107 000845 rev.00. W19 and W20 are on 107 000609 rev. 03 and 107 000845 rev. 00 only.



JUMPER POSITIONS*	WITHOUT FORM FEED	WITH FORM FEED
W21	1	0
W22	0	1
W23	1	0
W24	0	1
W25	0	1
W26	1	0
W27	0	1
W28	1	0
W29	1	0
W30	0	1
W31	0	1
W32	1	0

*1 INDICATES JUMPER WIRE IN
0 INDICATES JUMPER WIRE OUT

REF. DGC BOARD NO. 107-000845 REV.00

013-000840
BRUNING 40-526 27928

THIS DRAWING AND SPECIFICATIONS, HEREIN, ARE THE PROPERTY OF DATA GENERAL CORPORATION AND SHALL NOT BE REPRODUCED OR COPIED OR USED IN WHOLE OR IN PART AS THE BASIS FOR MANUFACTURE OR SALE OF ITEMS WITHOUT WRITTEN PERMISSION.

REV	ECO	APP	DATE

DRAWN	APPROVED

TITLE
DASHER TPI TERMINAL
PRINTER SERIES 6040-6043

DATA GENERAL CORPORATION WESTBORO, MASSACHUSETTS 01581			
SIZE	CODE	DRAWING NUMBER	REV
C	010	000094	04