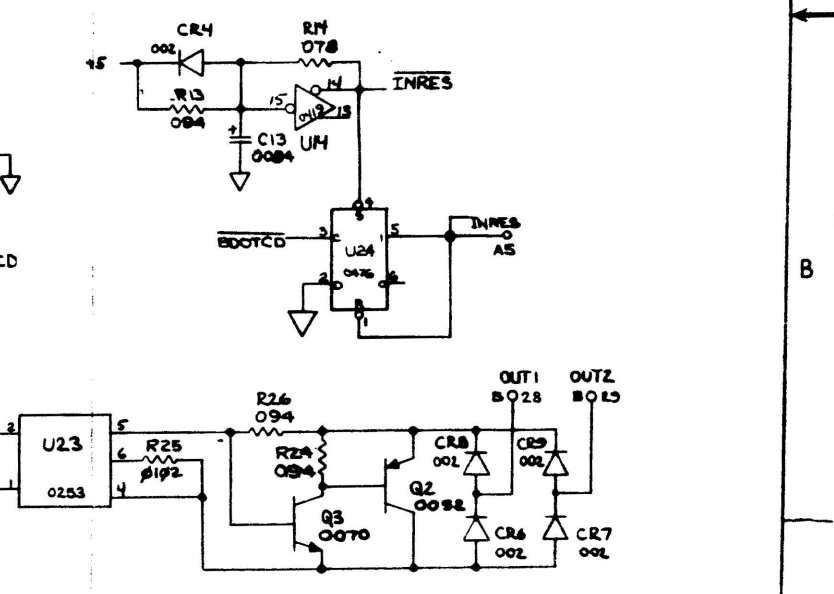
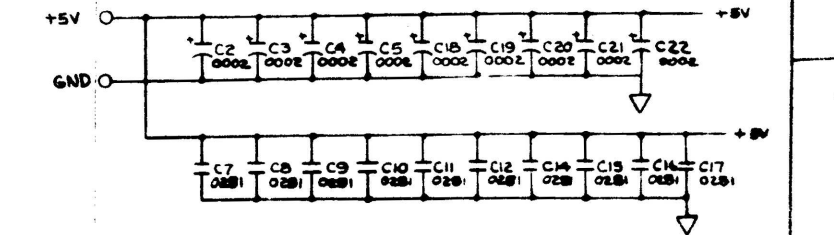


THIS DRAWING AND SPECIFICATIONS HEREBY ARE THE PROPERTY OF DATA GENERAL CORPORATION AND SHALL NOT BE REPRODUCED OR COPIED OR USED IN WHOLE OR IN PART AS THE BASIS FOR MANUFACTURE OR SALE OF ITEMS WITHOUT WRITTEN PERMISSION.

REVISIONS				
REV	DESCRIPTION	DRFTG	APP BY	DATE
00	RELEASED PER AND B025			
01	PER ECO B047			8-15-76
02	PER ECO B045			7-15-76
03	PER ECO B028			7-15-76
04	PER ECO B055			7-17-76
05	PER ECO B093			8-30-76



NOTE: FOR R05 OPTION (RLYGND & RLYEN) SEE 001001103

QTY	DESCRIPTION	PART NO
UNLESS OTHERWISE SPECIFIED USE D.G.C. SPECIFICATION 100-000028 FOR TOLERANCES AND WORKMANSHIP REQUIREMENTS.		
DRAWN BY	DATE	<b>DATA GENERAL CORPORATION</b> SOUTHBORO MASSACHUSETTS 01772  TITLE <b>DISPLAY INTERFACE ASYNCHRONOUS I/O</b>
DESIGNED BY	DATE	
ENGINEERED BY	DATE	
APPROVED BY		
FIRST USED ON		
MATERIAL		
FINISH		
SCALE		