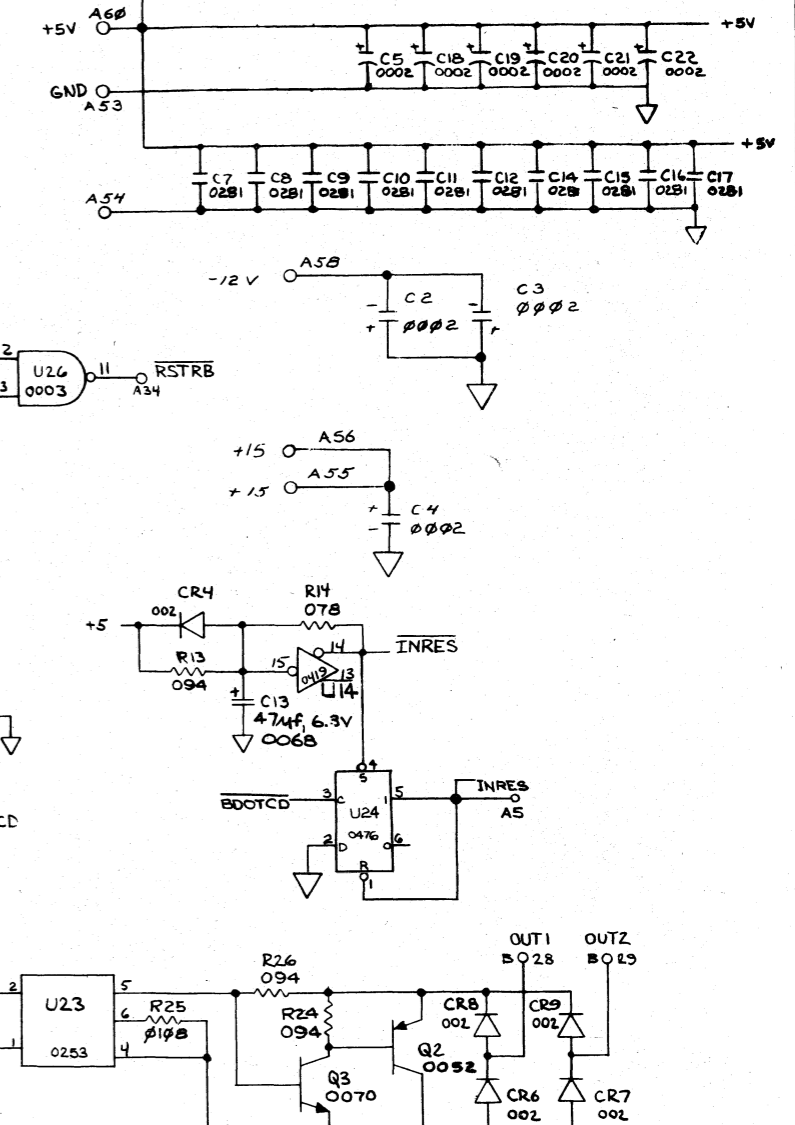


REV. DESCRIPTION				DRFTG	APP BY	DATE
00	RELEASED PER ECO B025					
01	PER ECO B047					
02	PER ECO B045					
03	PER ECO B028					
04	PER ECO B055					
05	PER ECO B093					
06	PER ECO 6213A					
07	PER ECO 6411					
08	PER ECO 6871A					
09	PER ECO 7217					
10	PER ECO 7437					
11	PER ECO 7948					



QTY	DESCRIPTION	PART NO
	UNLESS OTHERWISE SPECIFIED USE D.G.C. SPECIFICATION 108-00028 FOR TOLERANCES AND WORKMANSHIP REQUIREMENTS	
	MATERIAL	
	FINISH	

DRAWN	9/21/85	DATA GENERAL CORPORATION SOUTHBORO, MASSACHUSETTS 01772 TITLE: DISPLAY INTERFACE ASYNCHRONOUS I/O SIZE CODE D 001 000941 DRAWING NUMBER 12
CHECKED	9/21/85	
ENGINEER	9/21/85	
APPROVED		
FIRST USED ON	6053	

NOTE: FOR HS OPTION (RLYND & RLYEN) SEE 001001103