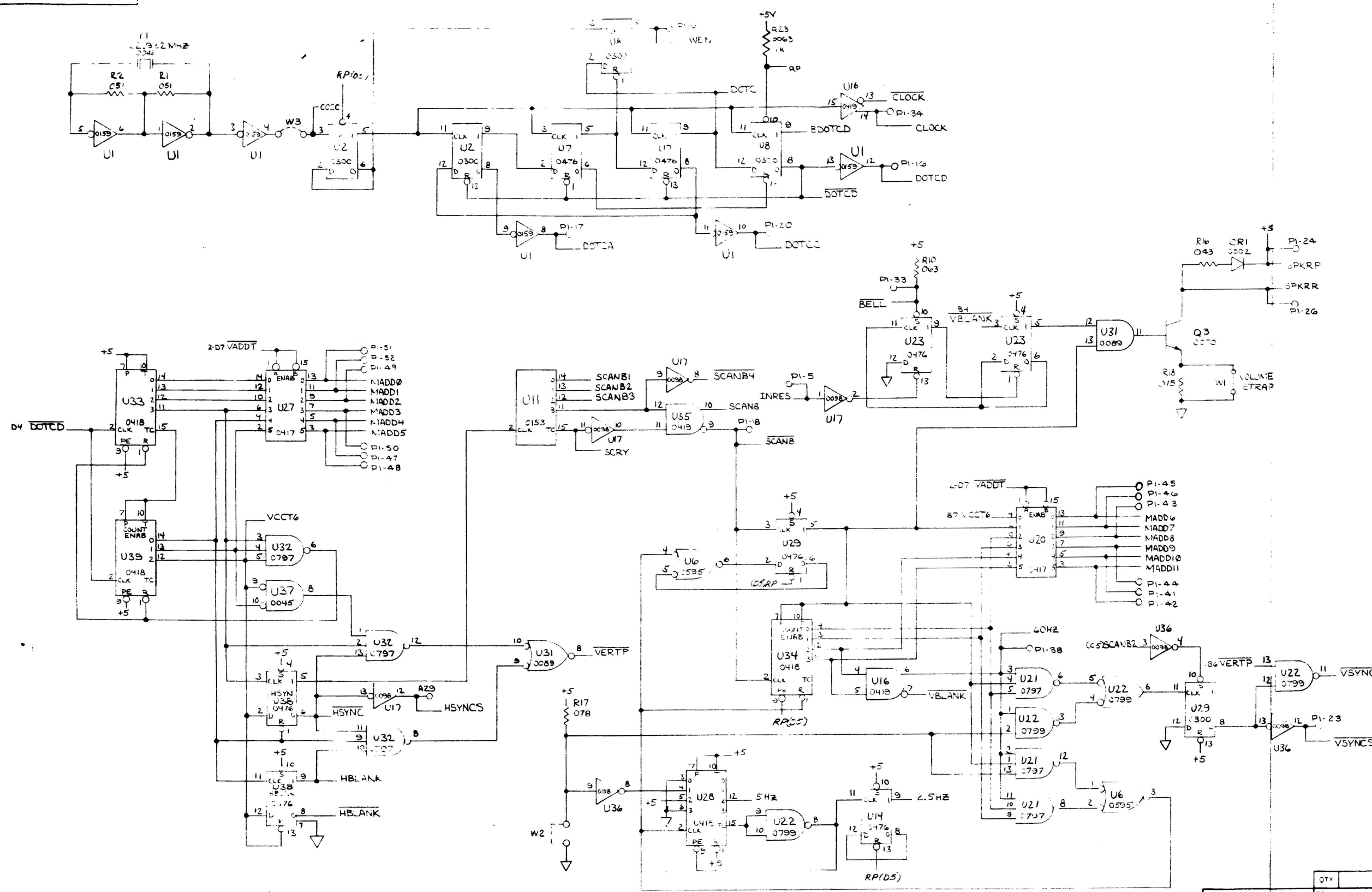


THIS DRAWING AND SPECIFICATION HEREIN ARE THE PROPERTY OF DATA GENERAL CORPORATION AND SHALL NOT BE REPRODUCED OR COPIED OR USED IN WHOLE OR IN PART AS THE BASIS FOR MANUFACTURE OR SALE OF ITEMS WITHOUT WRITTEN PERMISSION.

REVISIONS				
REV	DESCRIPTION	DRFTG	APP BY	DATE
01	ECO B054A	WLG		
02	ECO B073	WLG		
03	ECO B053A	WLG		11-29-77
04	ECO B073	WLG		11-29-77
05	ECO B095	WLG		1-19-77
06	ECO B054A	WLG		1-19-77
07	ECO 5761	WLG		2-10-77



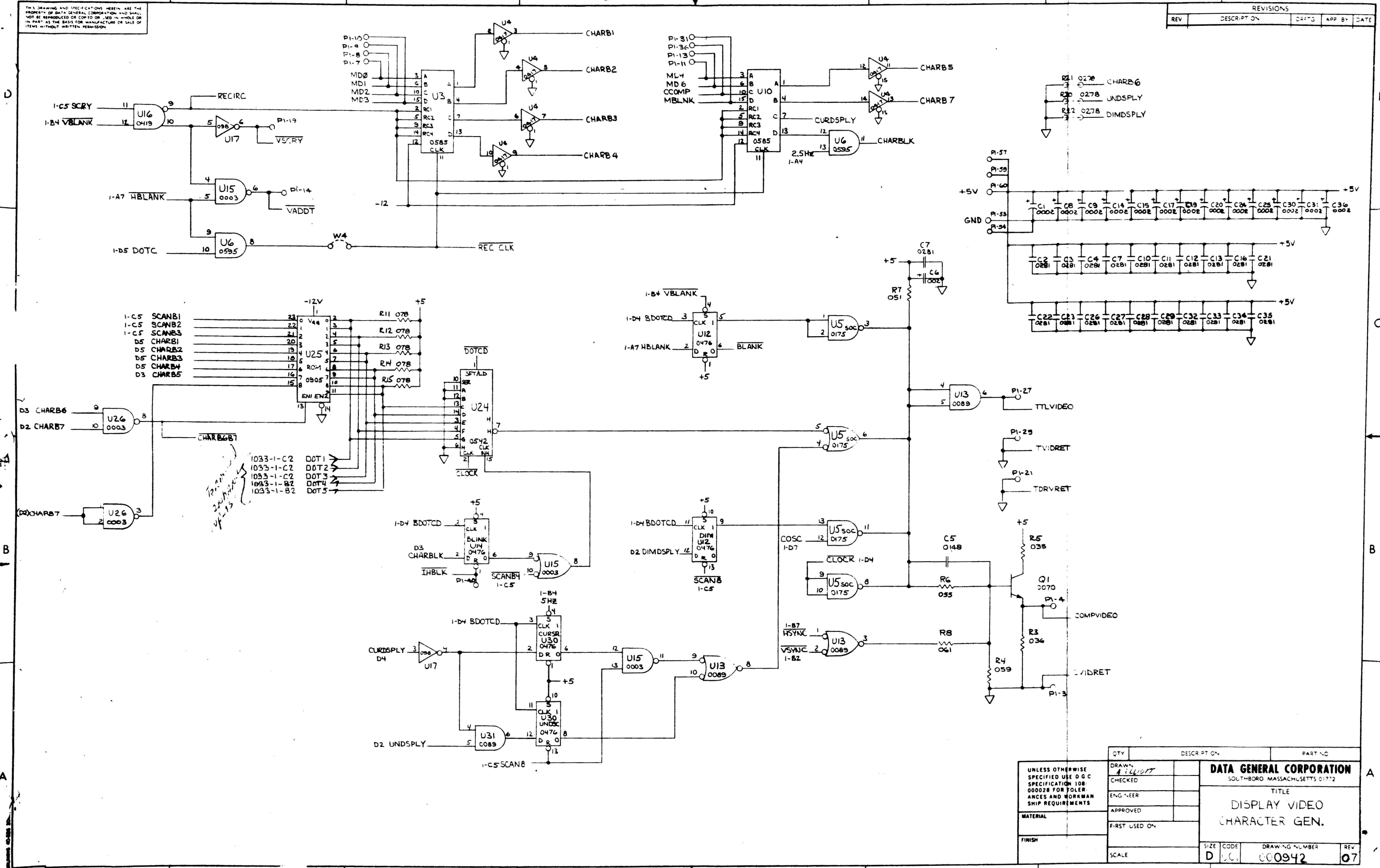
NOTES: 1. INSERT W2 FOR 50HZ REFRESH (EXPORT MODELS)  
2. REMOVE R18 FOR LOWER VOLUME AUDIBLE TONE

QTY	DESCRIPTION	PART NO
	UNLESS OTHERWISE SPECIFIED USE D G C SPECIFICATION 108-00028 FOR TOLERANCES AND WORKMANSHIP REQUIREMENTS	
DRAWN		
CHECKED		
ENGINEER		
APPROVED		
FIRST USED ON		
FINISH		
SCALE		

<b>DATA GENERAL CORPORATION</b> SOUTH-BORD, MASSACHUSETTS 01772		
TITLE <b>DISPLAY VIDEO TIMING GENERATOR</b>		
SIZE	CODE	DRAWING NUMBER
D	001	000942
REV	07	

THIS DRAWING AND SPECIFICATIONS HEREIN ARE THE PROPERTY OF DATA GENERAL CORPORATION AND SHALL NOT BE REPRODUCED OR COPIED OR USED IN WHOLE OR IN PART AS THE BASIS FOR MANUFACTURE OR SALE OF ITEMS WITHOUT WRITTEN PERMISSION.

REVISIONS				
REV	DESCRIPTION	DWG	APP BY	DATE



QTY	DESCRIPTION	PART NO

UNLESS OTHERWISE SPECIFIED USE D.G.C. SPECIFICATION 100-000028 FOR TOLERANCES AND WORKMANSHIP REQUIREMENTS	DRAWN <i>A. ILLIOTT</i>	<b>DATA GENERAL CORPORATION</b> SOUTH-BORD MASSACHUSETTS 01772 TITLE <b>DISPLAY VIDEO CHARACTER GEN.</b>
	CHECKED	
	ENGINEER	
	APPROVED	
MATERIAL	FIRST USED ON	SIZE CODE D D.C.
FINISH	SCALE	DRAWING NUMBER 000942
		REV 07