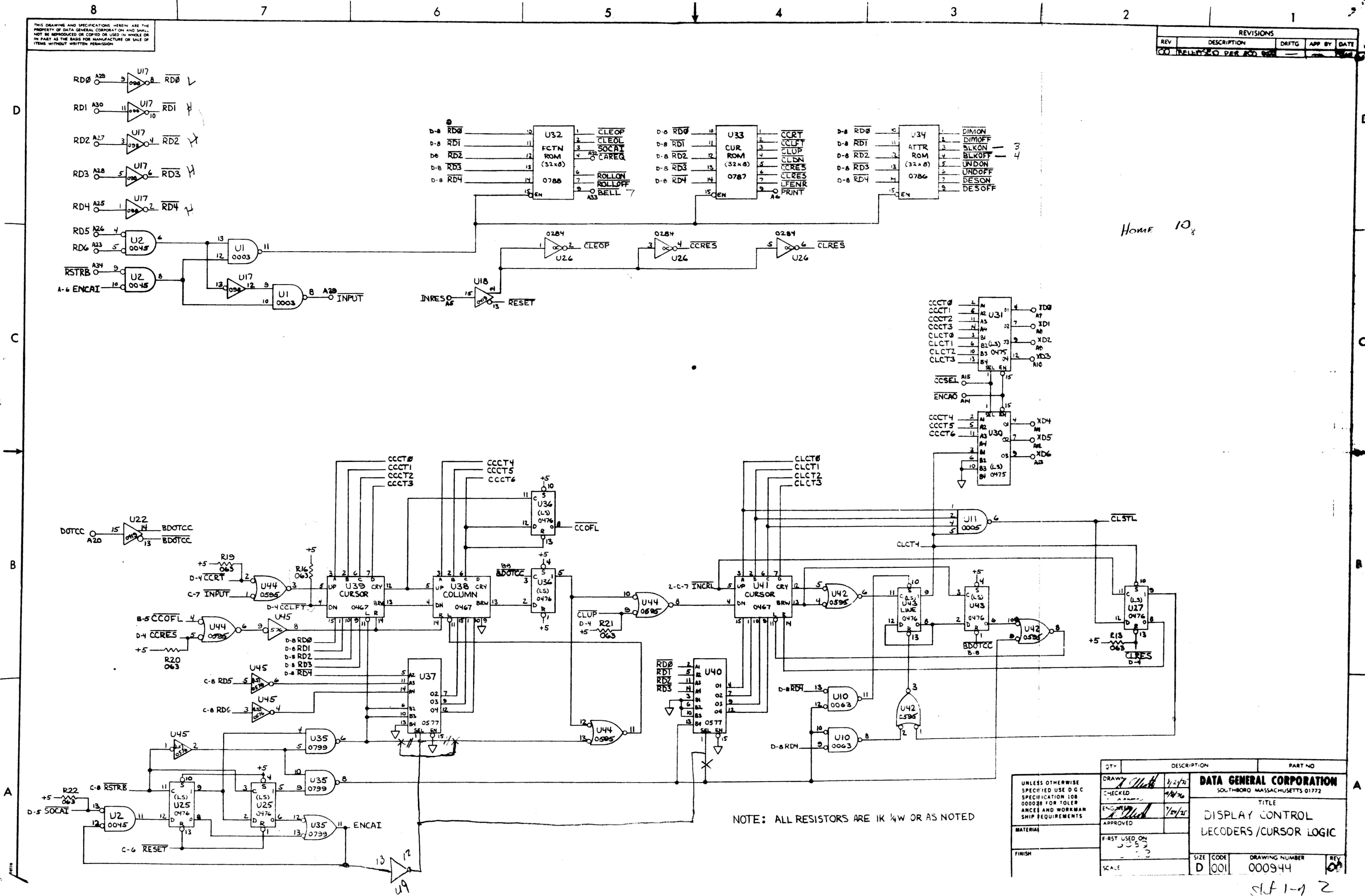


THIS DRAWING AND SPECIFICATIONS HEREIN ARE THE PROPERTY OF DATA GENERAL CORPORATION AND SHALL NOT BE REPRODUCED OR COPIED OR USED IN WHOLE OR IN PART AS THE BASIS FOR MANUFACTURE OR SALE OF ITEMS WITHOUT WRITTEN PERMISSION

REVISIONS			
REV	DESCRIPTION	DRFTG	APP BY DATE
00	RELEASED PER RD 00		



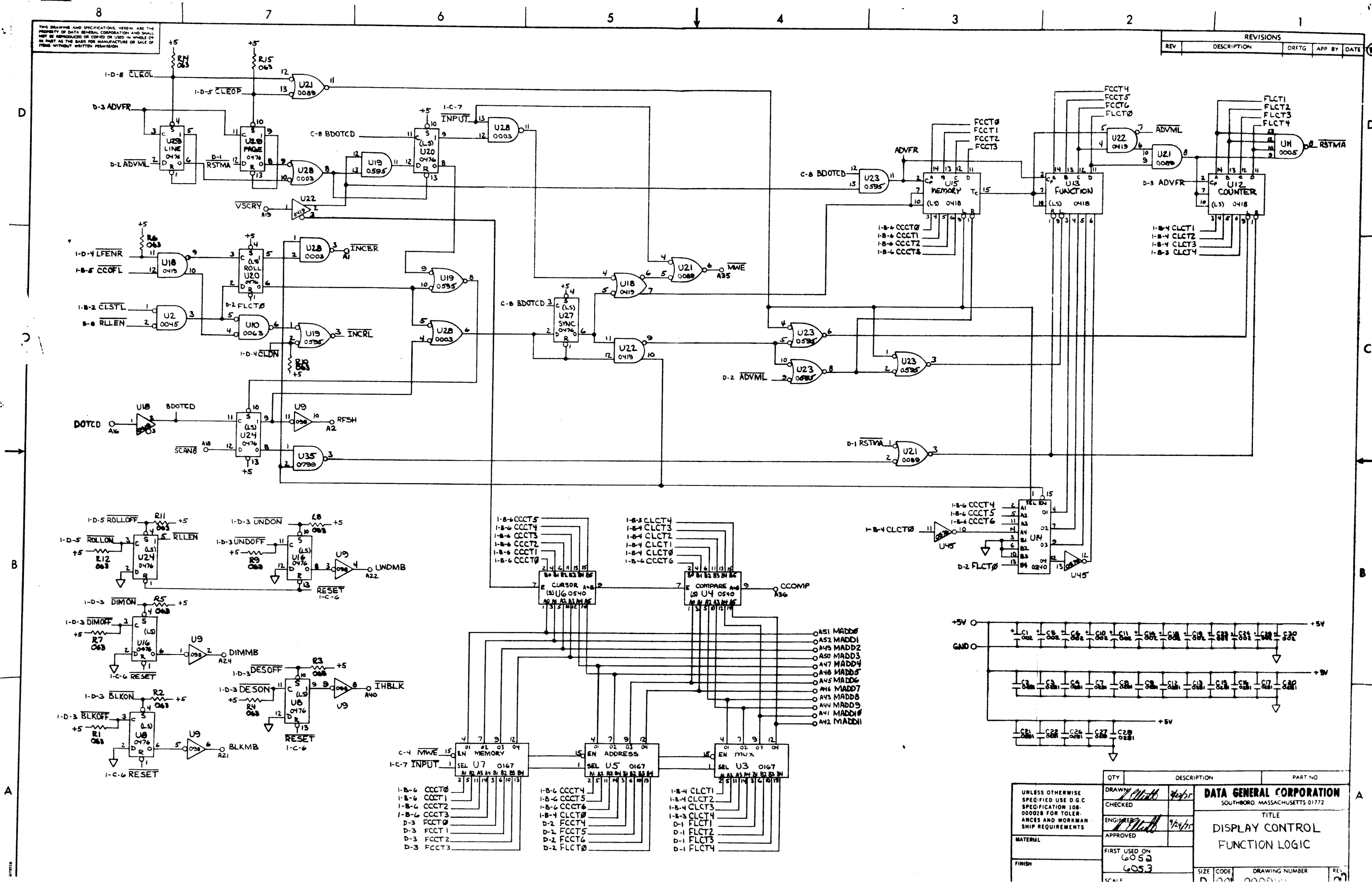
QTY	DESCRIPTION	PART NO

DRAWN: <i>[Signature]</i> CHECKED: <i>[Signature]</i> ENGINEER: <i>[Signature]</i> APPROVED: <i>[Signature]</i>	DATE: 3/2/70 DATE: 4/8/70 DATE: 7/2/75	DATA GENERAL CORPORATION SOUTH BORDO MASSACHUSETTS 01772 TITLE DISPLAY CONTROL DECODERS/CURSOR LOGIC
FIRST USED ON: 0053 SCALE:	SIZE: D CODE: 001	DRAWING NUMBER: 000944 REV: 0

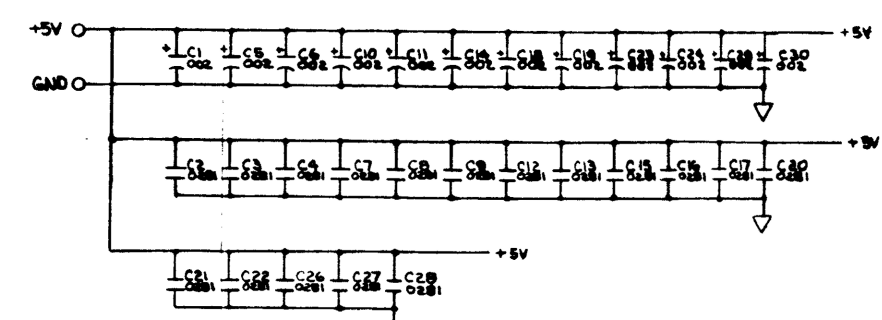
SLF 1-7 2

THIS DRAWING AND SPECIFICATIONS HEREIN ARE THE PROPERTY OF DATA GENERAL CORPORATION AND SHALL NOT BE REPRODUCED OR COPIED IN WHOLE OR IN PART AS THE BASIS FOR MANUFACTURE OR SALE OF ITEMS WITHOUT WRITTEN PERMISSION.

REVISIONS			
REV	DESCRIPTION	DRFTG	APP BY



- 1-B-6 CCCT0
- 1-B-6 CCCT1
- 1-B-6 CCCT2
- 1-B-6 CCCT3
- D-3 FCCT0
- D-3 FCCT1
- D-3 FCCT2
- D-3 FCCT3
- 1-B-6 CCCT4
- 1-B-6 CCCT5
- 1-B-6 CCCT6
- D-2 FCCT4
- D-2 FCCT5
- D-2 FCCT6
- D-2 FLCT0
- 1-B-4 CLCT1
- 1-B-4 CLCT2
- 1-B-4 CLCT3
- 1-B-3 CLCT4
- D-1 FLCT1
- D-1 FLCT2
- D-1 FLCT3
- D-1 FLCT4



QTY	DESCRIPTION	PART NO

UNLESS OTHERWISE SPECIFIED USE D.G.C. SPECIFICATION 108-000028 FOR TOLERANCES AND WORKMANSHIP REQUIREMENTS	DRAWN <i>Muth</i> <i>4/8/78</i>	CHECKED <i>W. Smith</i> <i>7/24/78</i>	ENGINEER <i>W. Smith</i>	APPROVED	FIRST USED ON 6052 6053
MATERIAL	TITLE				SCALE
FINISH	DATA GENERAL CORPORATION SOUTHBORO, MASSACHUSETTS 01772				REV
	DISPLAY CONTROL FUNCTION LOGIC				
	SIZE	CODE	DRAWING NUMBER		
	D	100	000000		

001-000944 shf 2/12