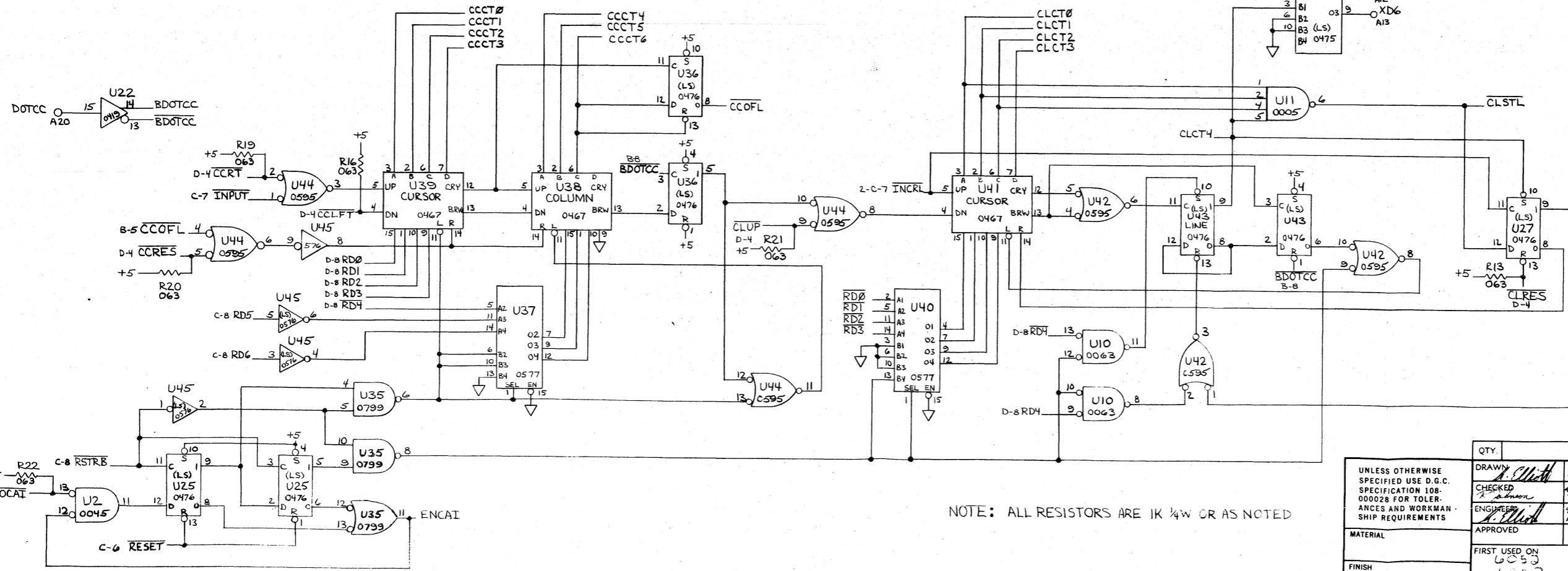
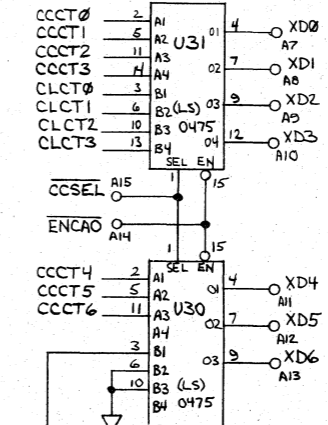
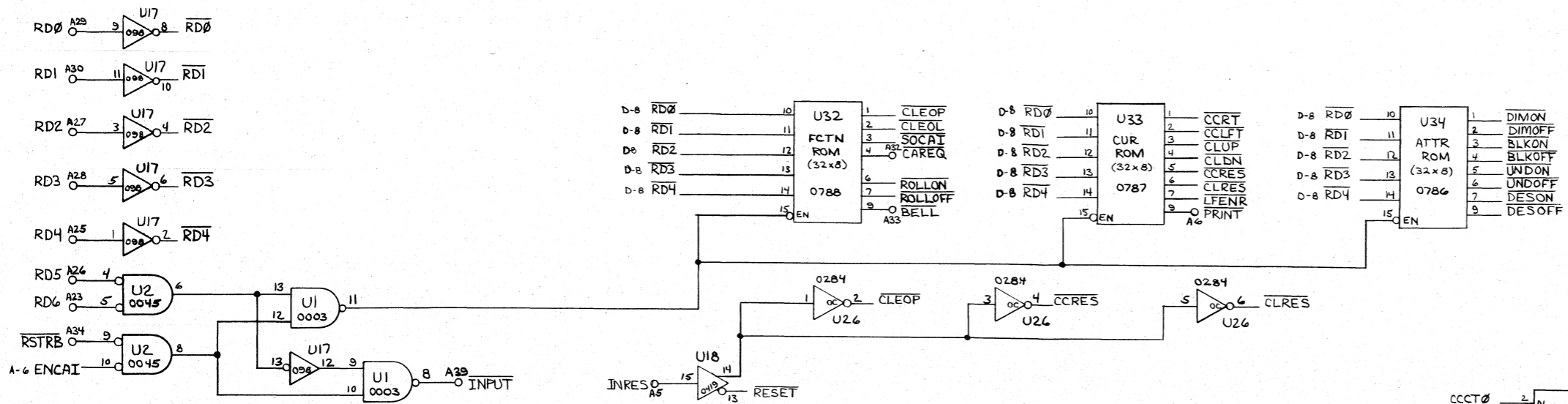


DRAWING AND SPECIFICATIONS HEREIN ARE THE PROPERTY OF DATA GENERAL CORPORATION AND SHALL BE REPRODUCED OR COPIED OR USED IN WHOLE OR PART AS THE BASIS FOR MANUFACTURE OR SALE OF ANY WITHOUT WRITTEN PERMISSION.

REVISIONS				
REV.	DESCRIPTION	DRFTG.	APP BY	DATE
00	RELEASED PER ECO 0000			3/10

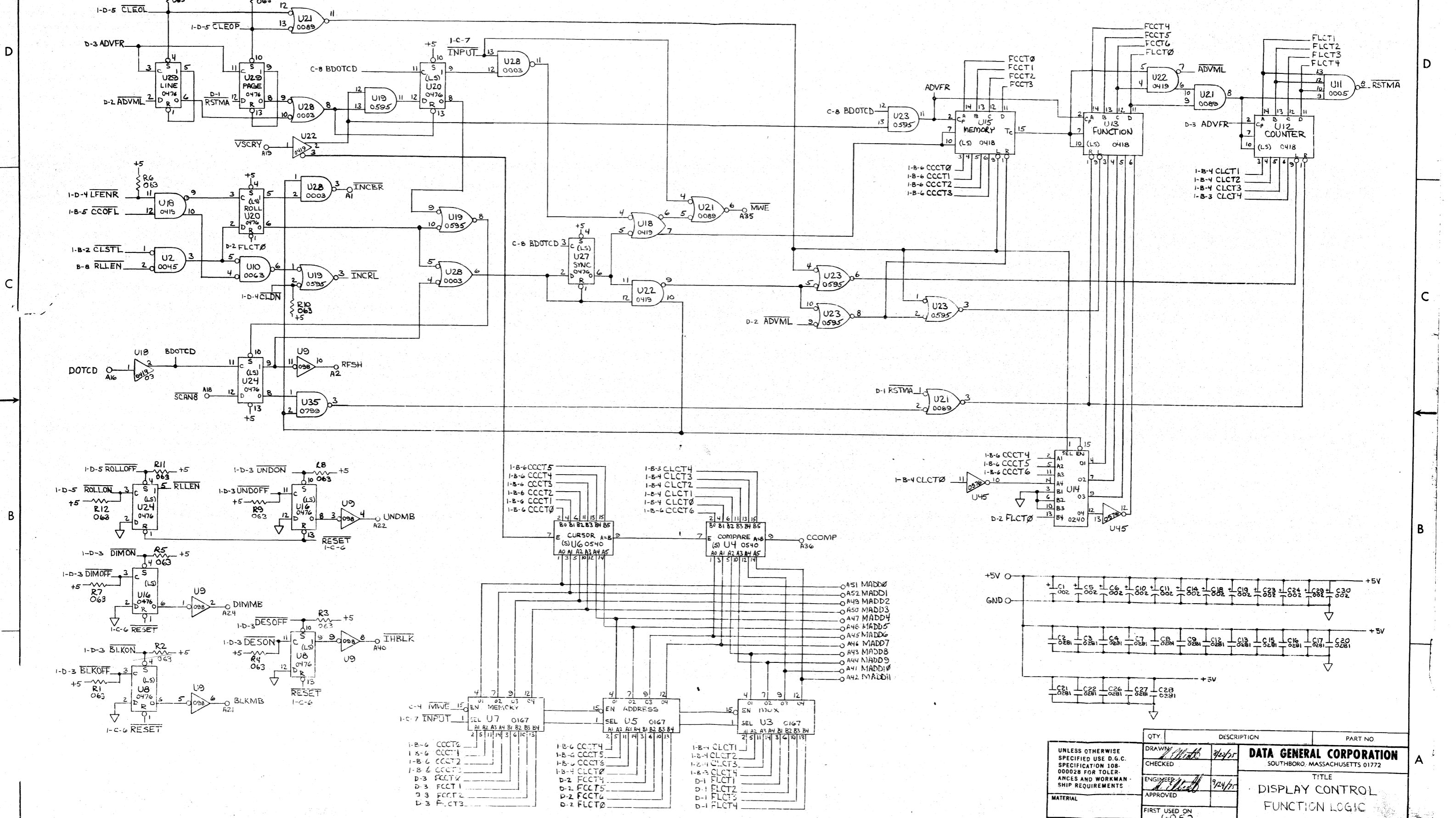


NOTE: ALL RESISTORS ARE 1K 1/4W OR AS NOTED

QTY.	DESCRIPTION	PART NO.
	UNLESS OTHERWISE SPECIFIED USE D.G.C. SPECIFICATION 108-000028 FOR TOLERANCES AND WORKMANSHIP REQUIREMENTS	
DRAWN	3/24/70	DATA GENERAL CORPORATION SOUTHBORO, MASSACHUSETTS 01772 TITLE DISPLAY CONTROL DECODERS / CURSOR LOGIC SIZE CODE D 001 DRAWING NUMBER 000944 REV 00
CHECKED	4/8/70	
ENGINEER	7/24/75	
APPROVED		
FIRST USED ON	6-5-3	
SCALE		

THIS DRAWING AND SPECIFICATIONS, HEREIN, ARE THE PROPERTY OF DATA GENERAL CORPORATION AND SHALL NOT BE REPRODUCED OR COPIED OR USED IN WHOLE OR IN PART AS THE BASIS FOR MANUFACTURE OR SALE OF ITEMS WITHOUT WRITTEN PERMISSION.

REVISIONS				
REV.	DESCRIPTION	DRFTG	APP BY	DATE



UNLESS OTHERWISE SPECIFIED USE D.G.C. SPECIFICATION 108-00028 FOR TOLERANCES AND WORKMANSHIP REQUIREMENTS	QTY.	DESCRIPTION	PART NO.
	DRAWN <i>Wicks</i>	<i>9/24/75</i>	DATA GENERAL CORPORATION SOUTHBORO, MASSACHUSETTS 01772
	CHECKED		TITLE DISPLAY CONTROL FUNCTION LOGIC
	ENGINEER <i>Wicks</i>	<i>9/24/75</i>	APPROVED
MATERIAL	FIRST USED ON 6052	SCALE 6053	SIZE CODE D 001
FINISH		DRAWING NUMBER 000944	REV. 00