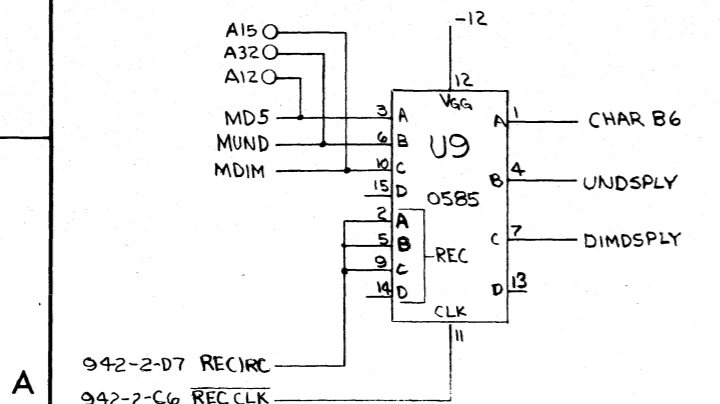
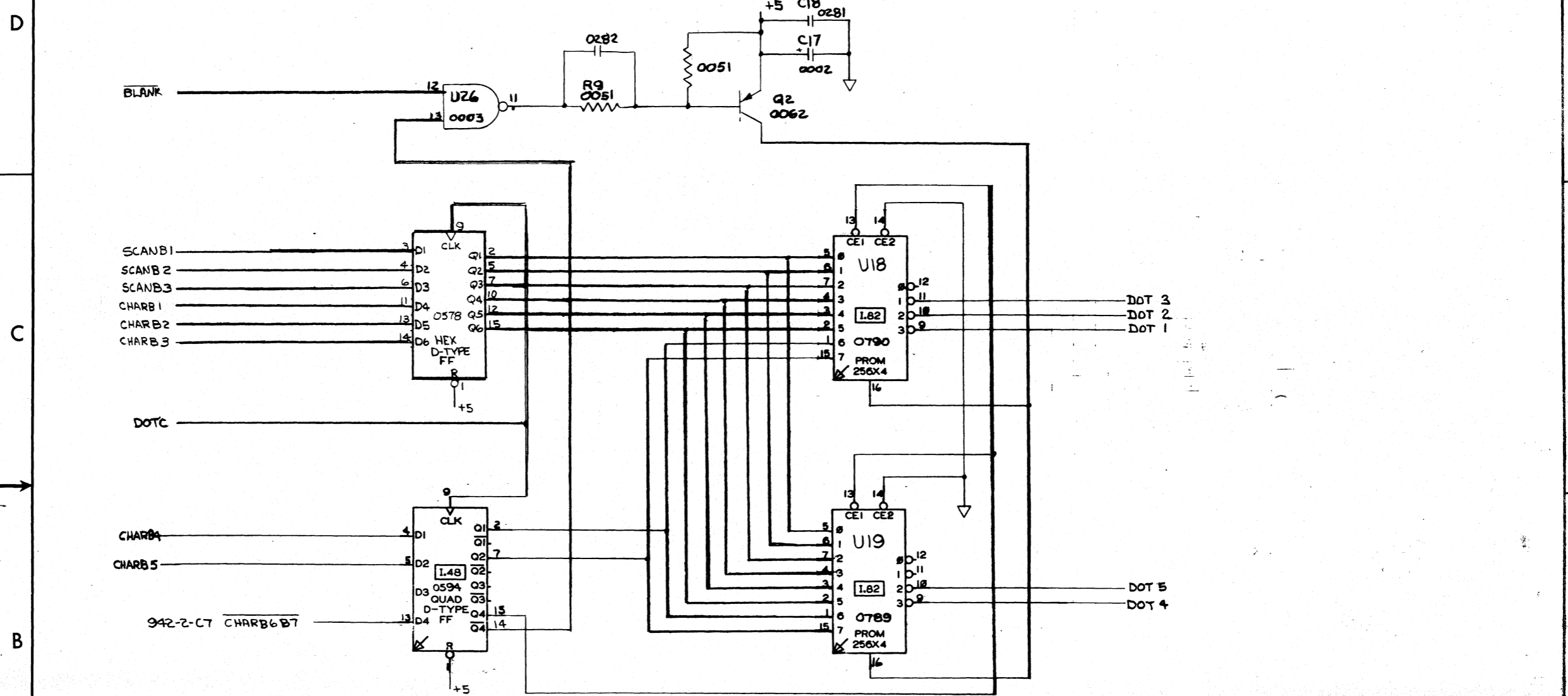


THIS DRAWING AND SPECIFICATIONS, HEREIN, ARE THE PROPERTY OF DATA GENERAL CORPORATION AND SHALL NOT BE REPRODUCED OR COPIED OR USED IN WHOLE OR IN PART AS THE BASIS FOR MANUFACTURE OR SALE OF ITEMS WITHOUT WRITTEN PERMISSION.

REVISIONS				
REV.	DESCRIPTION	DRFTG.	APP. BY	DATE
01	REDRAWN - ECO B020			
02	PER ECO B073			11-29-76



NOTES:
 1. THIS LOGIC ADDED TO THE DISPLAY VIDEO (SCHEMATIC #001-000942) AND USED WITH MEMORY 005-006840 AND KEYBOARD 118-000338 PROVIDES THE TERMINAL ENHANCEMENT OPTION.
 2. WITH OPTION INSTALLED, DELETE R20, R21, AND R22.

BRUNING 40-526 20411

QTY	DESCRIPTION	PART NO
	UNLESS OTHERWISE SPECIFIED USE D.G.C. SPECIFICATION 108-000028 FOR TOLERANCES AND WORKMANSHIP REQUIREMENTS	
	DRAWN T. VETTER 4/14/76	DATA GENERAL CORPORATION SOUTHBORO, MASSACHUSETTS 01772
	CHECKED	TITLE VIDEO OPTION
	ENGINEER	TERMINAL ENHANCEMENT
	APPROVED	SIZE CODE DRAWING NUMBER REV C 001 001033 02
	FIRST USED ON	SCALE