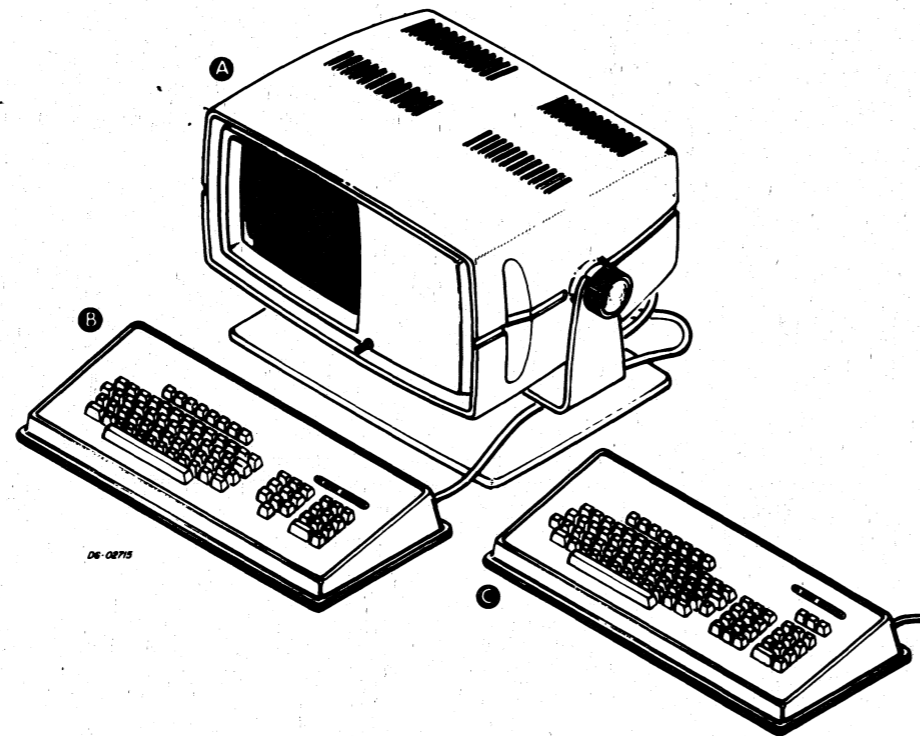


### SUBSYSTEM COMPONENT BREAKDOWN



MAJOR COMPONENT			
Item	Component	Mounting Location	Notes
A	DISPLAY	FREE-STANDING	
B	KEYBOARD BASIC	FREE-STANDING	CONNECTED TO DISPLAY BY INTEGRAL CABLE
C	KEYBOARD ENHANCED	FREE-STANDING	

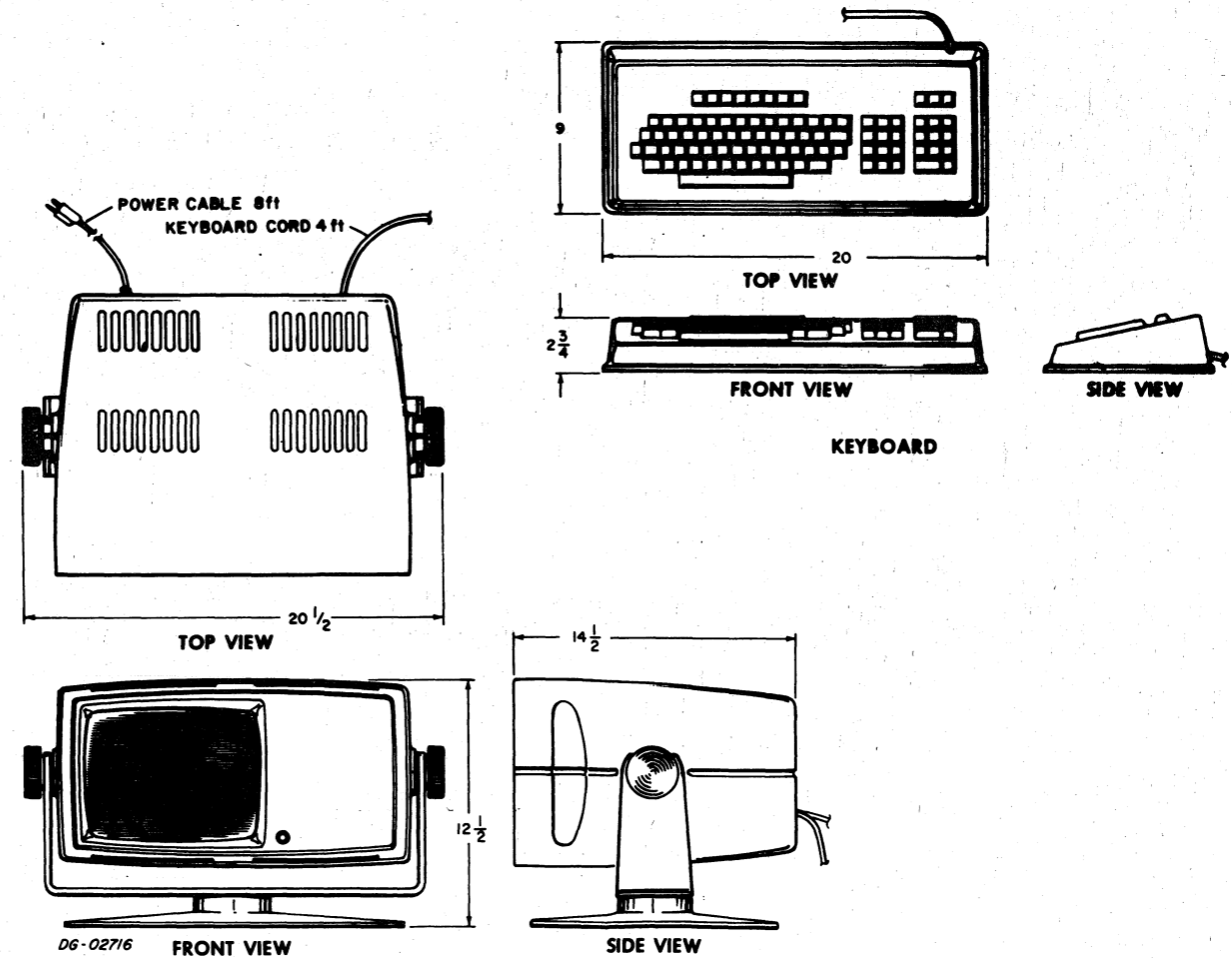
DG-02672

NOTE: CONTROLLER BOARD REQUIRED

### SPECIFICATIONS OF FREE-STANDING COMPONENTS

Item	Component	Number in Sub-system	Weight		Operating Humidity (Relative)		Maximum Operating Temperature		Power Dissipation (Watts)	BTU/hr (3.41 x Watts)	Primary Power					Power Cable Length	Power Cable Connector	Power Drop Rating Power Receptacle	Mating Power Receptacle
			lbs	kg	min	max	°F	°C			°F	°C	Volts	Hz	Phase				
A	DISPLAY	1	45	20.4	10	95	113	45	100	341	100	50 ±2	1	3	1.0	8	NEMA 5-15P	NEMA 5-15R	NEMA 5-15R
		1	45	20.4	10	95	113	45	100	341	120	60 ±2	1	3	0.8	8	NEMA 5-15P	NEMA 5-15R	NEMA 5-15R
		1	45	20.4	10	95	113	45	100	341	220	50 ±2	1	3	0.5	8	NEMA 6-15P	NEMA 6-15R	NEMA 6-15R
		1	45	20.4	10	95	113	45	100	341	240	50 ±2	1	3	0.4	8	NEMA 6-15P	NEMA 6-15R	NEMA 6-15R
B	KEYBOARD BASIC	1	7	3.2	10	95	113	45											
C	KEYBOARD ENHANCED	1	7	3.2	10	95	113	45											

DG-01917



ALL DIMENSIONS IN INCHES

013-000840  
BRUNING 40-526 27928

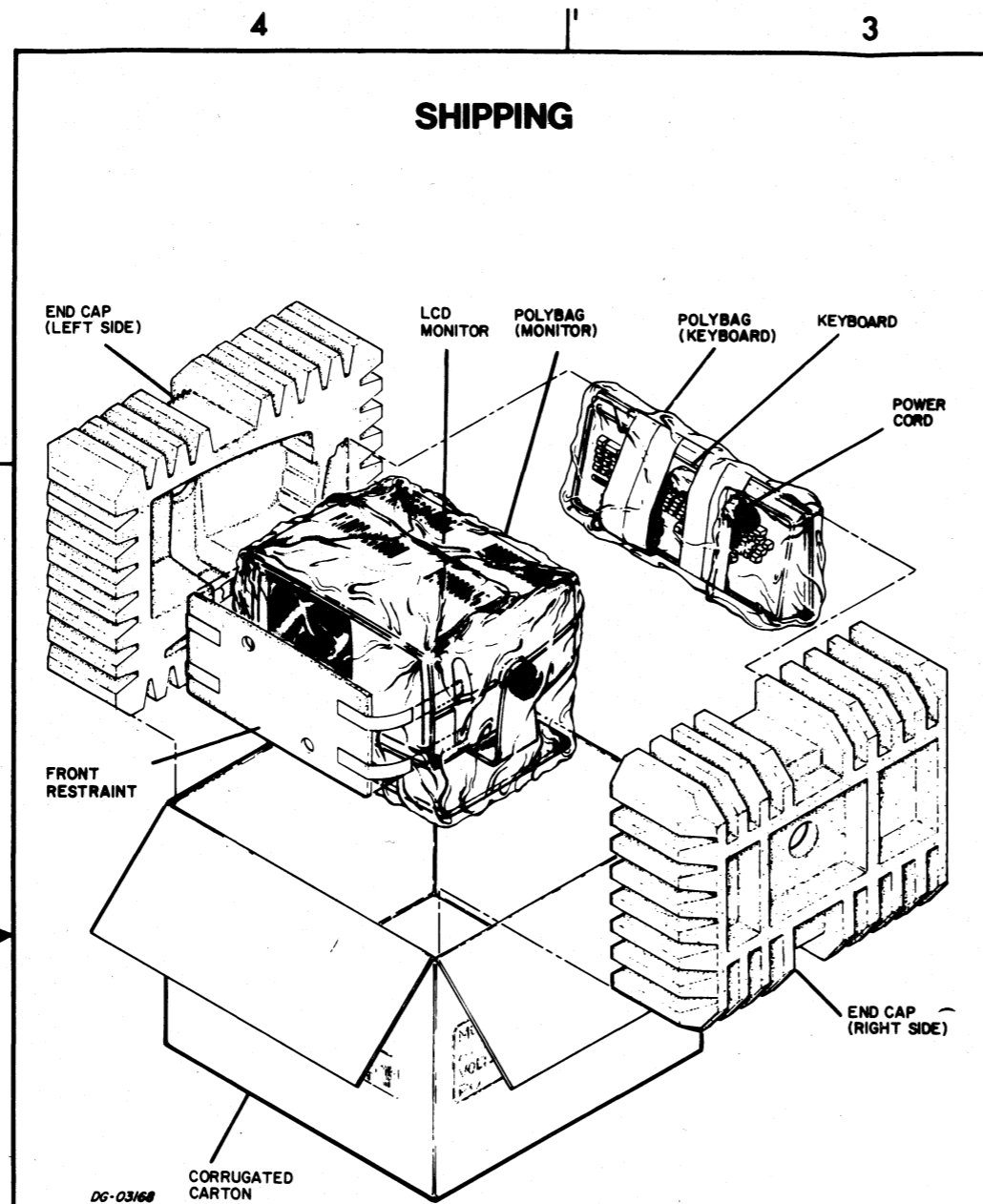
THIS DRAWING AND SPECIFICATIONS, HEREIN, ARE THE PROPERTY OF DATA GENERAL CORPORATION AND SHALL NOT BE REPRODUCED OR COPIED OR USED IN WHOLE OR IN PART AS THE BASIS FOR MANUFACTURE OR SALE OF ITEMS WITHOUT WRITTEN PERMISSION

REV	ECO	APP	DATE
00	01	02	
	30FR	6054	7483
			30-77
			5-25-78

DRAWN <i>Ray Williams</i>	APPROVED <i>John Smith</i>
CHECKED <i>A. G. ...</i>	FIRST USED ON
ENGINEER <i>John Smith</i>	CODE IDENT 34984

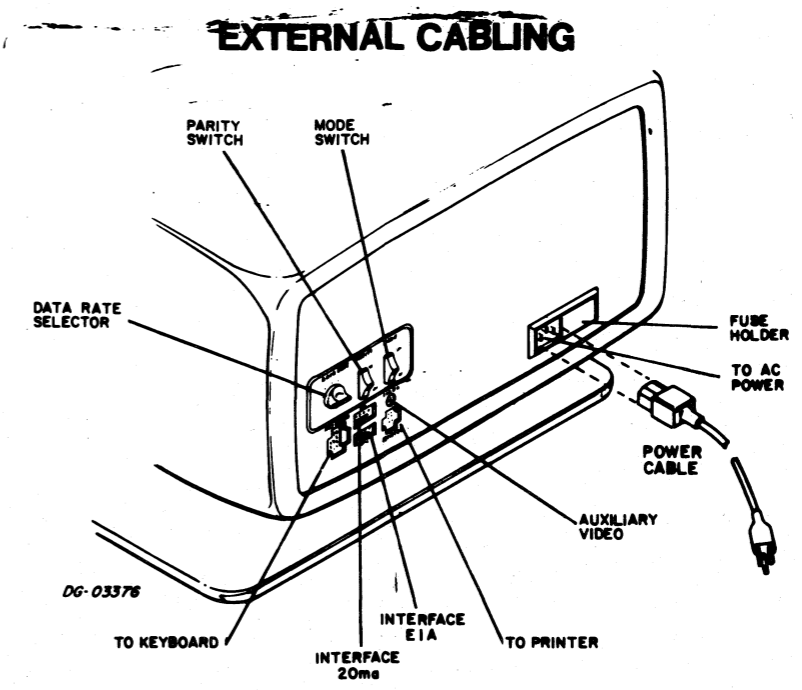
TITLE  
**DASHER DISPLAY TERMINAL**  
SERIES 6052 & 6053

<b>DATA GENERAL CORPORATION</b>	
SOUTHBORO, MASSACHUSETTS 01772	
SIZE C	CODE 010
DRAWING NUMBER 000098	



SHIPPING AND PACKAGE DATA					
Outside Dimensions			Weight (Gross)	Volume	Density
Height	Width	Depth			
in.	in.	in.	lbs.	cu ft.	lbs/cu ft.
cm	cm	cm	kg	cu m	kg/cu m
19 1/2	25 1/2	25	57	7.2	8
50	65	64	26	0.2	130
SHIPPING SPECIFICATIONS			STORAGE SPECIFICATIONS		
Temperature Range	Relative Humidity (Non-condensing)	Maximum Altitude	Temperature Range	Relative Humidity (Non-condensing)	Maximum Period
-40 to 104 -40 to +40	0%-80%	50,000ft	-40 to 104 -40 to +40	0%-80%	90 DAYS

COMPUTERS	CABLE ASSY
NOVA 2,3,820, 1220, ECLIPSE	005-7428
NOVA 800, 830, 840, 1200	005-1077 005-7428 005-7426 005-7638
microNOVA	005-7428
NOT CPU SENSITIVE	005-7428 005-8181 005-7636 005-7637



### INTERFACE REQUIREMENTS

#### 20ma CURRENT LOOP INTERFACE

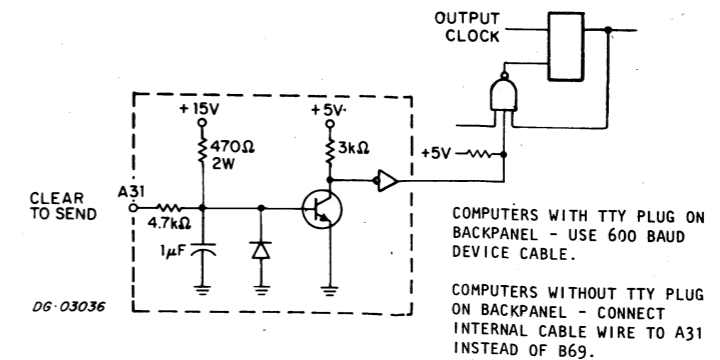
DEVICE CABLE PIN NUMBER	SIGNAL NAME
P1-1	DATA OUT
P1-2	DATA OUT
P1-3	DATA IN
P1-4	DATA IN

	ELECTRICAL REQUIREMENTS	
	TERMINAL TRANSMITTING	TERMINAL RECEIVING
MARK SENSE	$I_{max} = 40mA$	$I = 10-60mA$
SPACE SENSE	$V_{max} = 40V$	$I < 5mA$

#### EIA INTERFACE (RS-232-C)

DEVICE CABLE PIN NUMBER	SIGNAL NAME (EIA STANDARD)	CIRCUIT NAME (EIA STANDARD)	PIN ASSIGNMENT (EIA STANDARD)
P2-1	TRANSMITTED DATA	BA	2
P2-4	RECEIVED DATA	BB	3
P2-5	DATA TERMINAL READY	CD	20
P2-6	SIGNAL GROUND	AB	7

ADDITIONAL CIRCUIT REQUIRED ON MODEL 4010 CONTROLLER USED WITH MODELS 6052, 6053 OPERATING AT 600 BAUD.



013-000840  
BRUNING 40-526 27928

THIS DRAWING AND SPECIFICATIONS, HEREIN, ARE THE PROPERTY OF DATA GENERAL CORPORATION AND SHALL NOT BE REPRODUCED OR COPIED OR USED IN WHOLE OR IN PART AS THE BASIS FOR MANUFACTURE OR SALE OF ITEMS WITHOUT WRITTEN PERMISSION

REV	DATE	APP	DATE
ECO			
APP			
DATE			

DRAWN <i>John Kliman</i>	APPROVED <i>John Kliman</i>
CHECKED <i>S. Heath</i>	FIRST USED ON
ENGINEER <i>John Kliman</i>	CODE IDENT 34984

TITLE  
**DASHER DISPLAY TERMINAL  
SERIES 6052 & 6053**

<b>DATA GENERAL CORPORATION</b>			
SOUTHBORO, MASSACHUSETTS 01772			
SIZE <b>C</b>	CODE <b>010</b>	DRAWING NUMBER <b>000098</b>	REV <b>02</b>