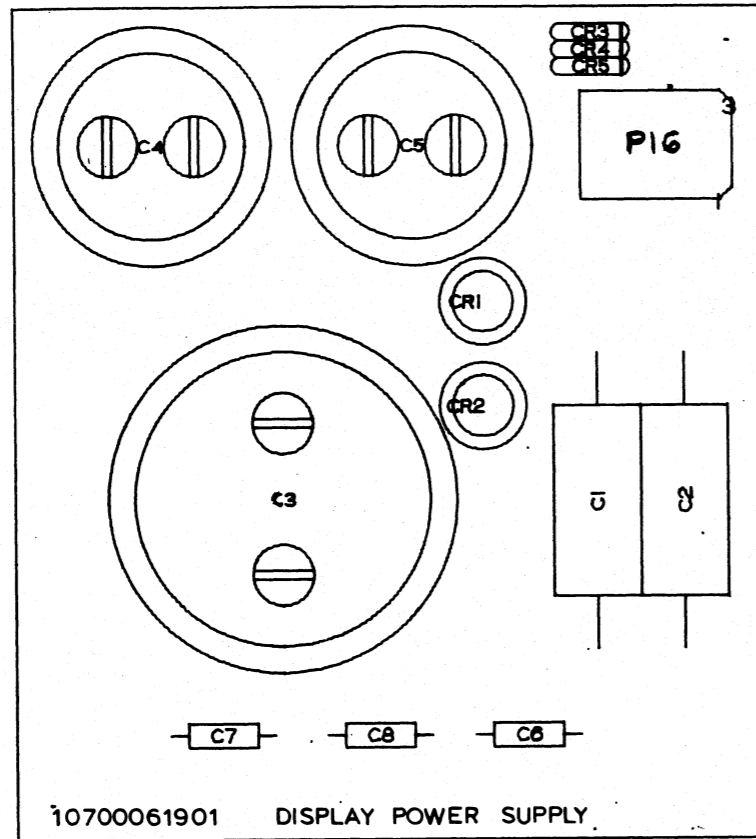


THIS DRAWING AND SPECIFICATIONS, HEREIN, ARE THE PROPERTY OF DATA GENERAL CORPORATION AND SHALL NOT BE REPRODUCED OR COPIED OR USED IN WHOLE OR IN PART AS THE BASIS FOR MANUFACTURE OR SALE OF ITEMS WITHOUT WRITTEN PERMISSION.

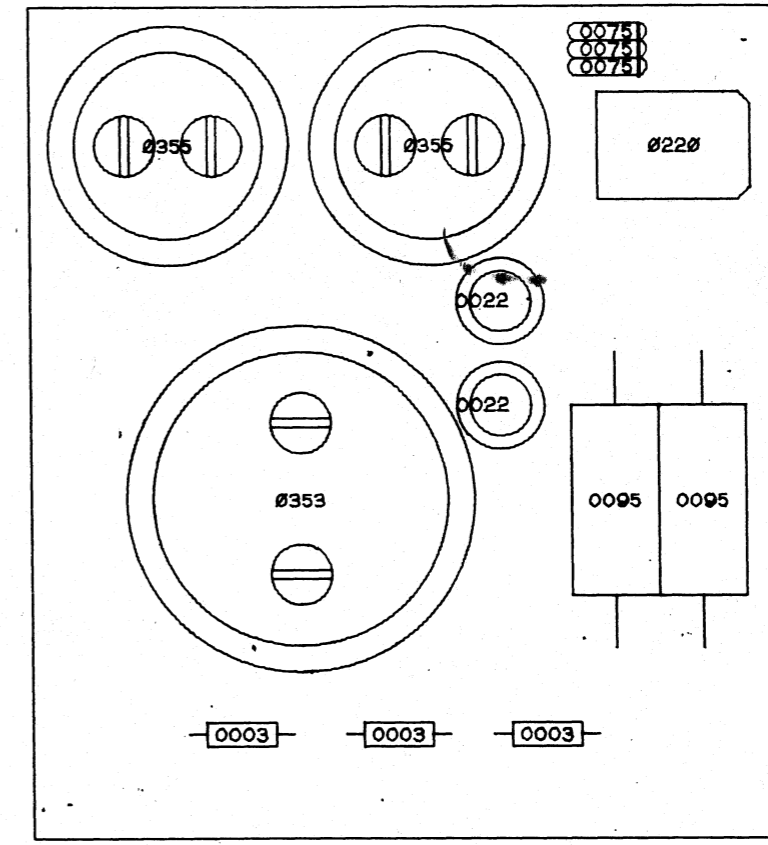
003000619-03
107000619-01

REVISIONS				
REV.	DESCRIPTION	DRFTG.	APP. BY	DATE
00	RLS'D PER ECO 1029			3/2/74
01	PER ECO 5509	<i>SMF</i>	RNK	2-28-77
02	PER ECO 7075	<i>SMF</i>	<i>SMF</i>	4/13/77



10700061901 DISPLAY POWER SUPPLY
00300061901

NOTE
MOUNT SPACER 123-001-132
UNDER C1 AND C2 -



00300061901

QTY.	DESCRIPTION	PART NO.
	DRAWN <i>ADS</i>	5-19/76
	CHECKED <i>R. Johnson</i>	5-19/76
	ENGINEER	
	APPROVED <i>A. Elliot</i>	5-28/76
	FIRST USED ON	
	6052	
	6053	
	SCALE	
DATA GENERAL CORPORATION SOUTHBORO, MASSACHUSETTS 01772		
TITLE IPL DISPLAY POWER SUPPLY		
SIZE	CODE	DRAWING NUMBER
B		016000353
		REV. 02

Charrette