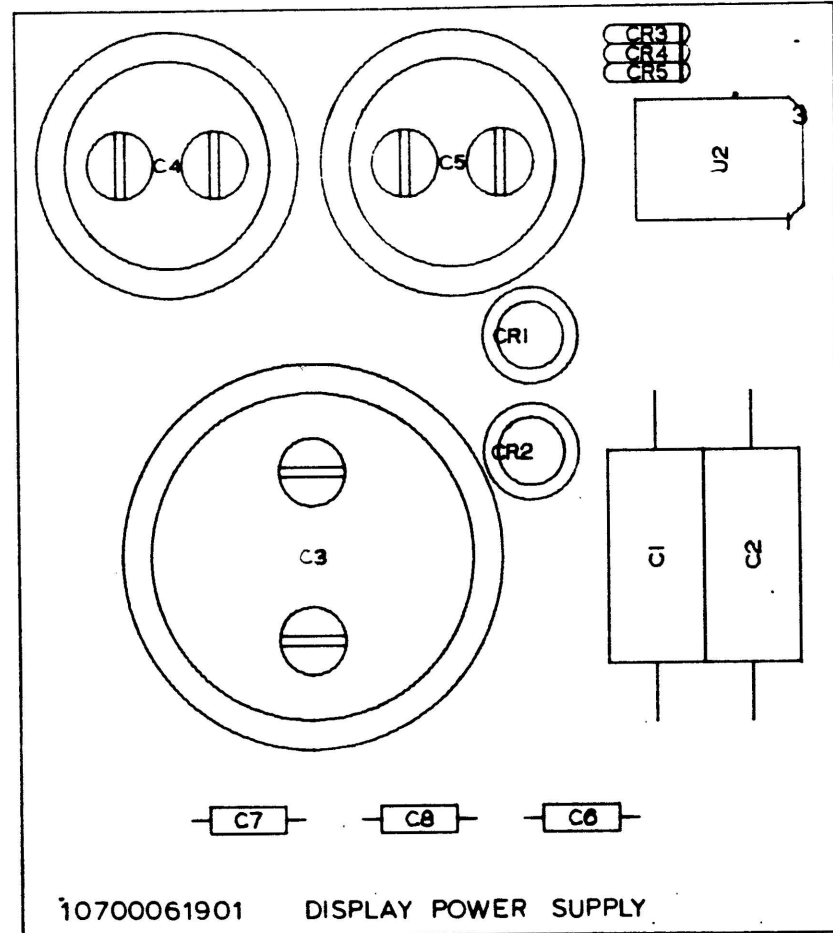


THIS DRAWING AND SPECIFICATIONS, HEREIN, ARE THE PROPERTY OF DATA GENERAL CORPORATION AND SHALL NOT BE REPRODUCED OR COPIED OR USED IN WHOLE OR IN PART AS THE BASIS FOR MANUFACTURE OR SALE OF ITEMS WITHOUT WRITTEN PERMISSION

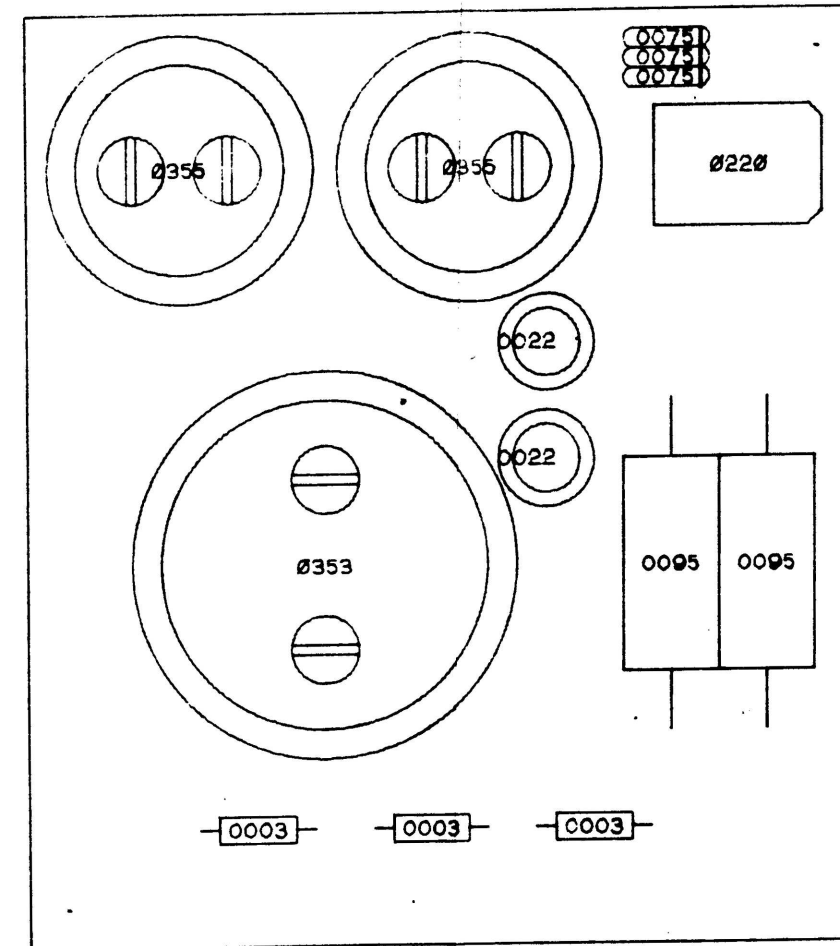
003000619-02
107000619-01

REVISIONS				
REV.	DESCRIPTION	DRFTG	APP BY	DATE
00	RLS'D PER ECO B029	—	—	5/2/74
01	PER ECO 5509	<i>SMT</i>	RNK	2-28-77



10700061901 DISPLAY POWER SUPPLY
00300061901

NOTE
MOUNT SPACER 123-001-132
UNDER CR1 AND CR2 -



00300061901

QTY	DESCRIPTION	PART NO
	DATA GENERAL CORPORATION SOUTHBORO, MASSACHUSETTS 01772	
	TITLE IPL DISPLAY POWER SUPPLY	
	SIZE	CODE
	B	
	DRAWING NUMBER	REV
	016000353	01

UNLESS OTHERWISE SPECIFIED USE D.G.C. SPECIFICATION 108-000028 FOR TOLERANCES AND WORKMANSHIP REQUIREMENTS	DRAWN <i>AD</i>	5-19 75
	CHECKED <i>R. Johnson</i>	5-19 75
	ENGINEER	
	APPROVED <i>[Signature]</i>	5-28 76
MATERIAL	FIRST USED ON	6052 6053
FINISH	SCALE	