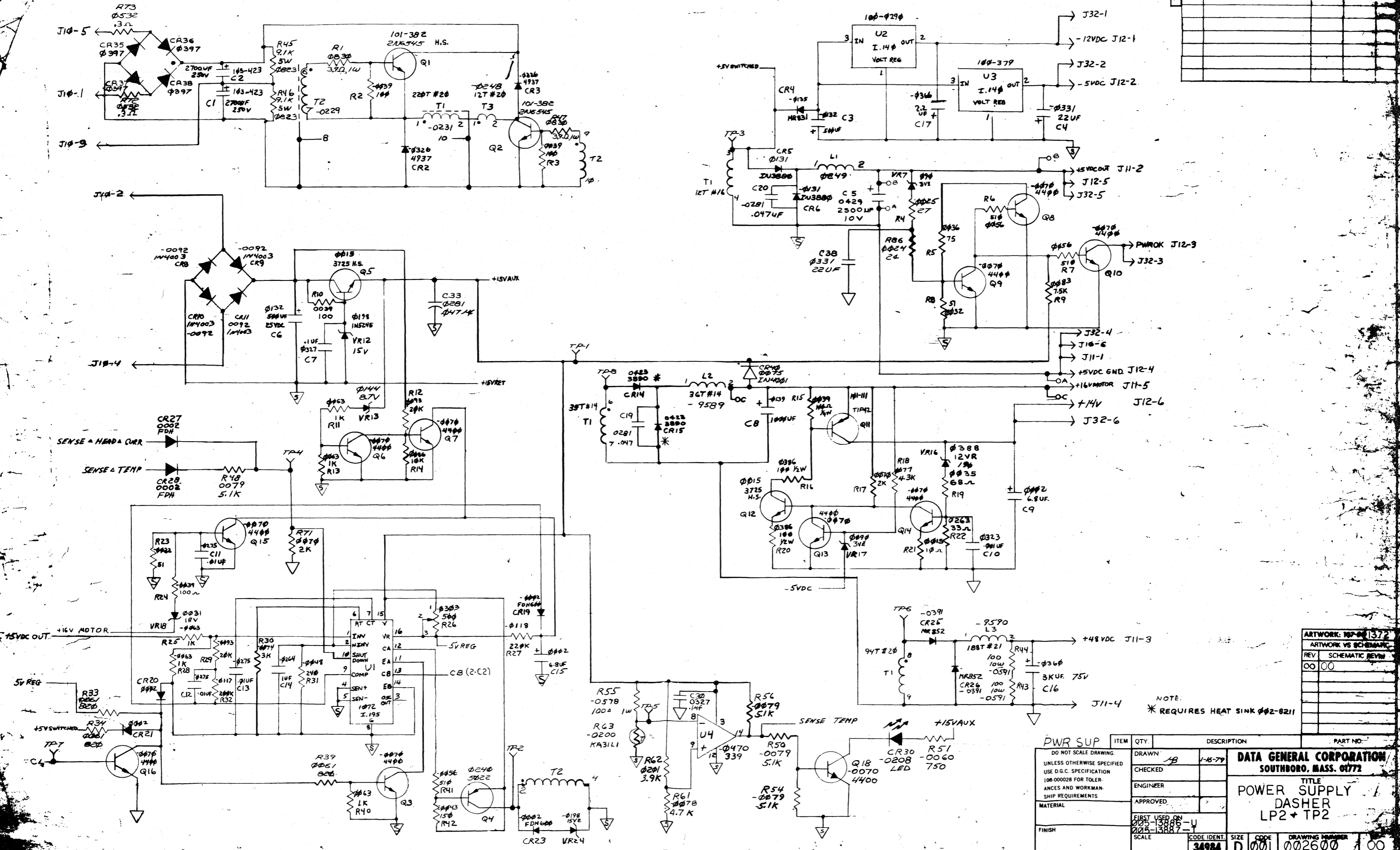


ALL DIMENSIONS AND SPECIFICATIONS HEREIN ARE THE PROPERTY OF DATA GENERAL CORPORATION AND SHALL NOT BE REPRODUCED OR COPIED OR USED IN WHOLE OR IN PART AS THE BASIS FOR MANUFACTURE OR SALE OF ANY PRODUCT WITHOUT WRITTEN PERMISSION.

REVISIONS			
REV	DESCRIPTION	DRAFT	APP. BY
00	REL'D PER ECO E473		



NOTE: * REQUIRES HEAT SINK #2-8211

ARTWORK: 107-01372	
ARTWORK VS SCHEMATIC	
REV	SCHEMATIC REV
00	00

PWR SUP		ITEM	QTY.	DESCRIPTION	PART NO.
DO NOT SCALE DRAWING.	DRAWN	18	1-15-79		
UNLESS OTHERWISE SPECIFIED USE D.G.C. SPECIFICATION 108-00028 FOR TOLERANCES AND WORKMANSHIP REQUIREMENTS	CHECKED				
	ENGINEER				
	APPROVED				
MATERIAL					
FINISH	FIRST USED ON				
	2005-13886-U				
	2005-13887				
	SCALE	CODE IDENT.	SIZE	CODE	DRAWING NUMBER
		34984	D	001	002600
					100

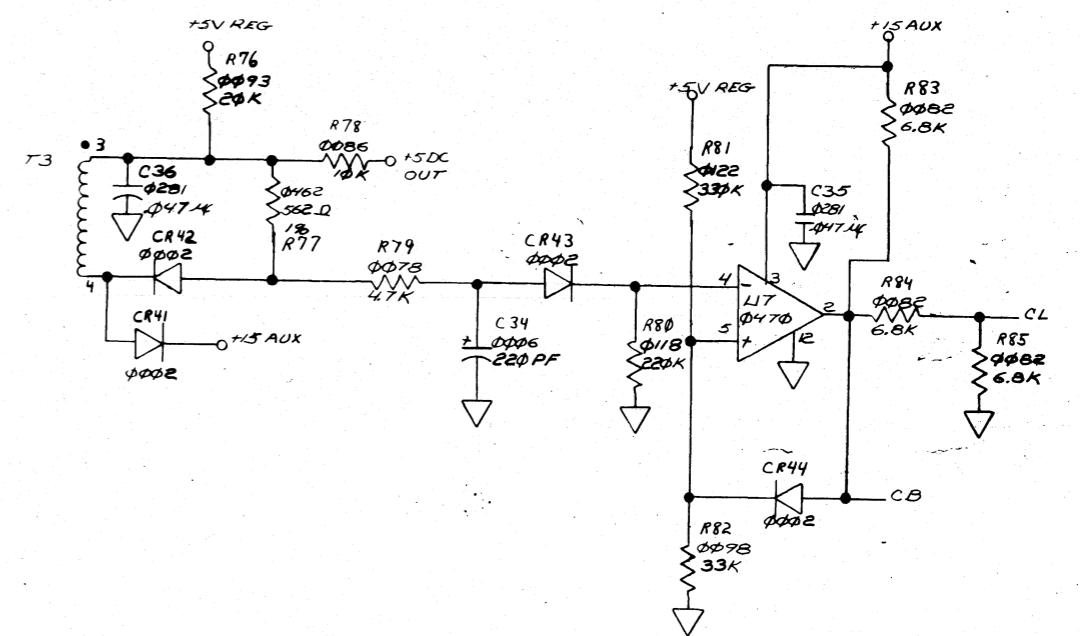
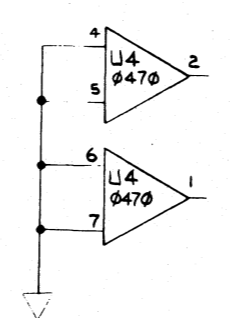
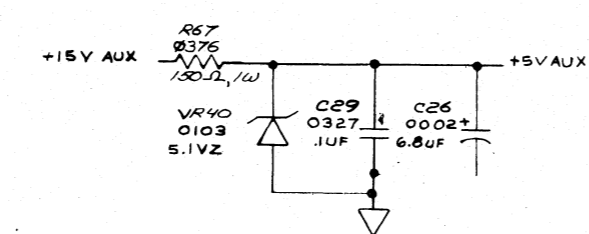
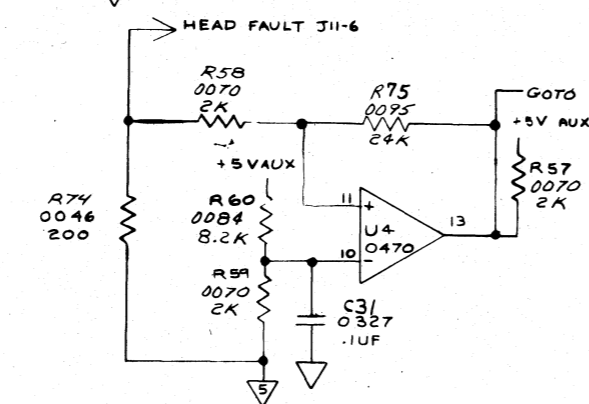
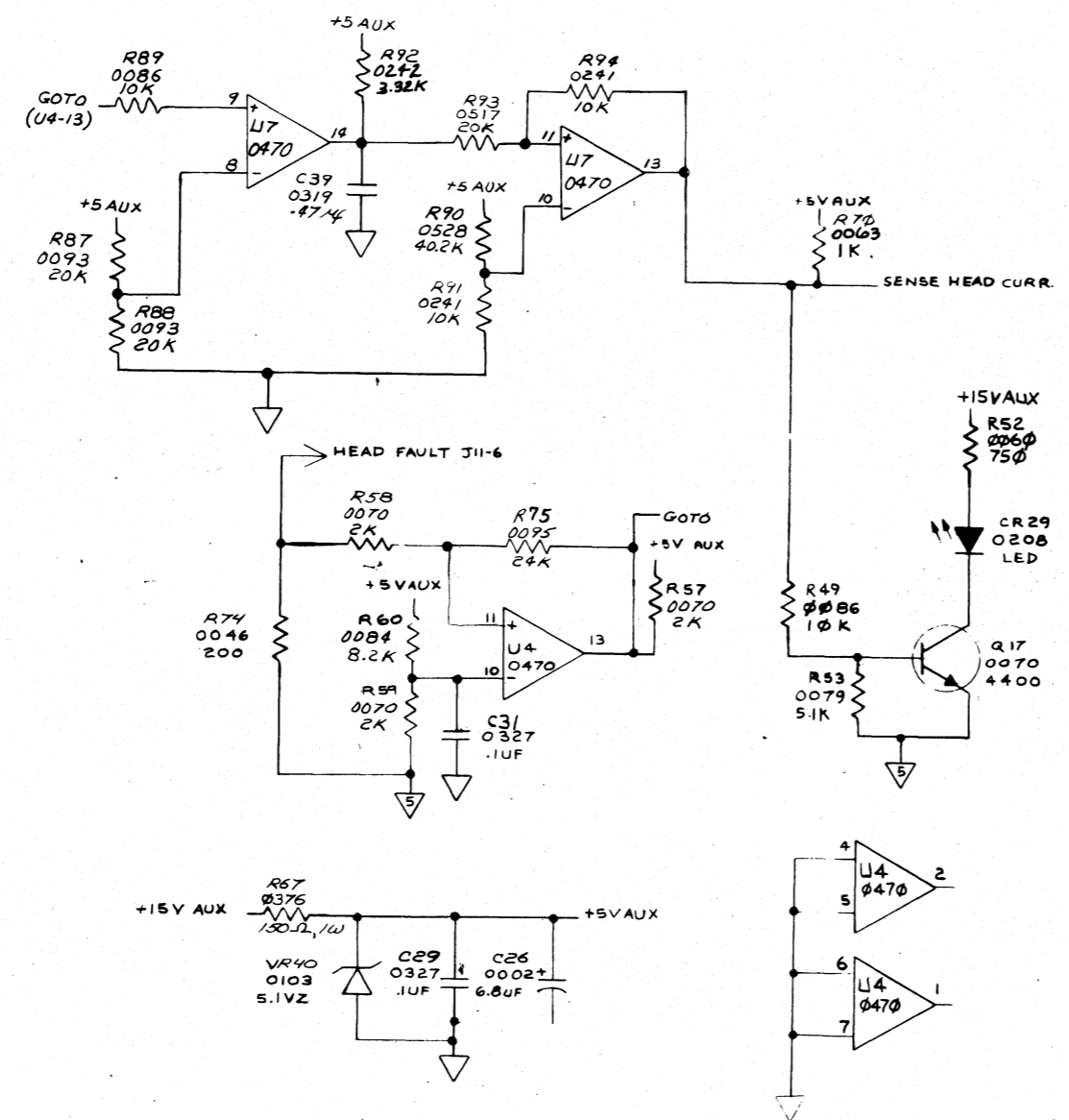
DATA GENERAL CORPORATION
SOUTHBORO, MASS. 01772

TITLE
POWER SUPPLY
DASHER
LP2 + TP2

1 OF 2

THIS DRAWING AND SPECIFICATIONS HEREIN, ARE THE PROPERTY OF DATA GENERAL CORPORATION AND SHALL BE LOANED OR COPIED OR USED IN WHOLE OR IN PART AS THE BASIS FOR MANUFACTURE OR SALE OF ANY PRODUCT WITHOUT WRITTEN PERMISSION.

REVISIONS				
REV.	DESCRIPTION	DRFTG.	APP. BY	DATE
ECO				



ITEM	QTY	DESCRIPTION	PART NO.
DO NOT SCALE DRAWING			
UNLESS OTHERWISE SPECIFIED USE D.G.C. SPECIFICATION 108-000028 FOR TOLERANCES AND WORKMANSHIP REQUIREMENTS			
MATERIAL			
FINISH			
SCALE	CODE IDENT.	SIZE	CODE
	34984	D	001
DRAWING NUMBER		REV.	
002600		00	

DATA GENERAL CORPORATION
SOUTHBORO, MASS. 01772
TITLE
POWER SUPPLY
DASHER
LP2 + TP2