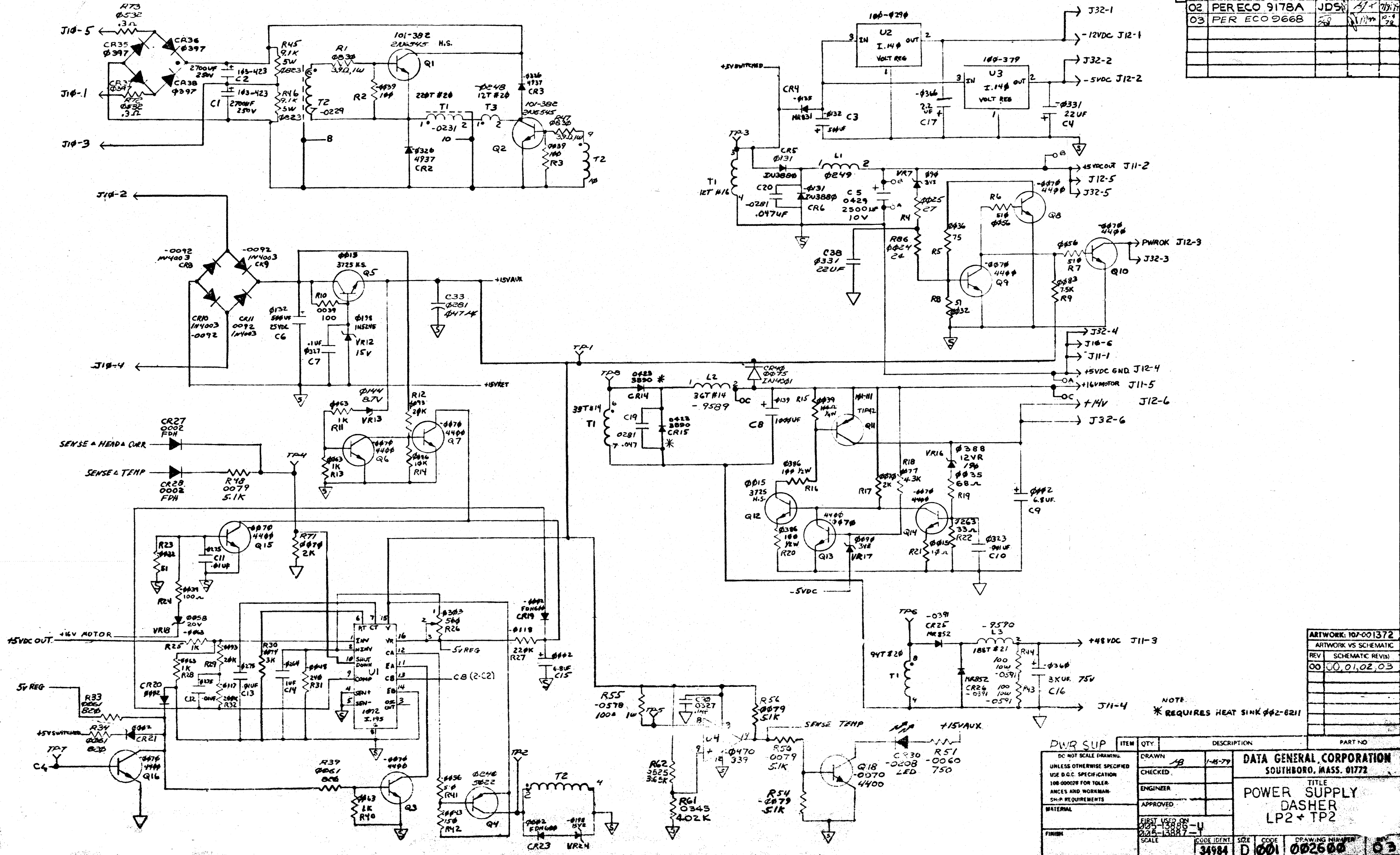


THIS DRAWING AND SPECIFICATIONS HEREIN ARE THE PROPERTY OF DATA GENERAL CORPORATION AND SHALL NOT BE REPRODUCED OR COPIED IN WHOLE OR IN PART AS THE BASIS FOR MANUFACTURE OR SALE OF ITEMS WITHOUT WRITTEN PERMISSION.

REV	DESCRIPTION	DRFTG	APP BY	DATE
00	REL'D PER ECO 1178			
01	PER ECO 2482 B	FSW	JDS	7/27/77
02	PER ECO 9178A		JDS	7/28/77
03	PER ECO 9668		JDS	8/1/77



ARTWORK: 107-001372	
ARTWORK VS SCHEMATIC	
REV	SCHEMATIC REV(S)
00	00,01,02,03

NOTE: *REQUIRES HEAT SINK #42-8211

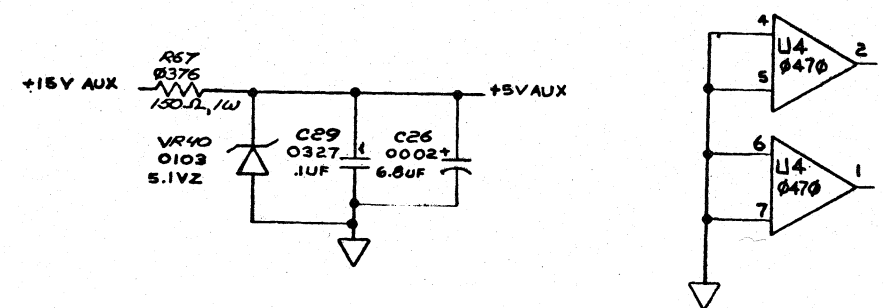
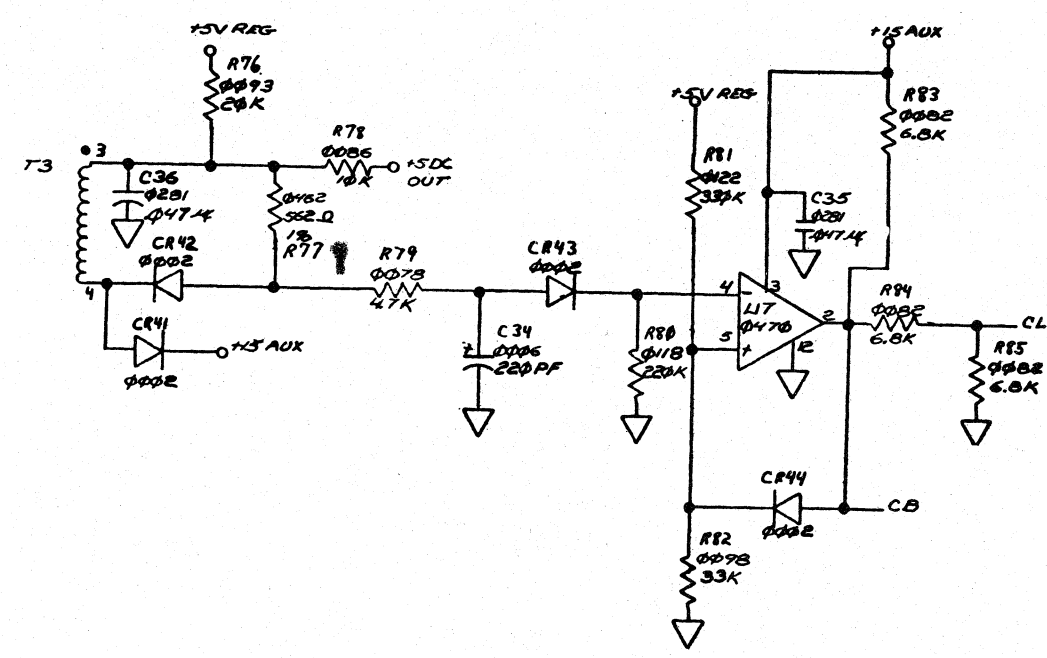
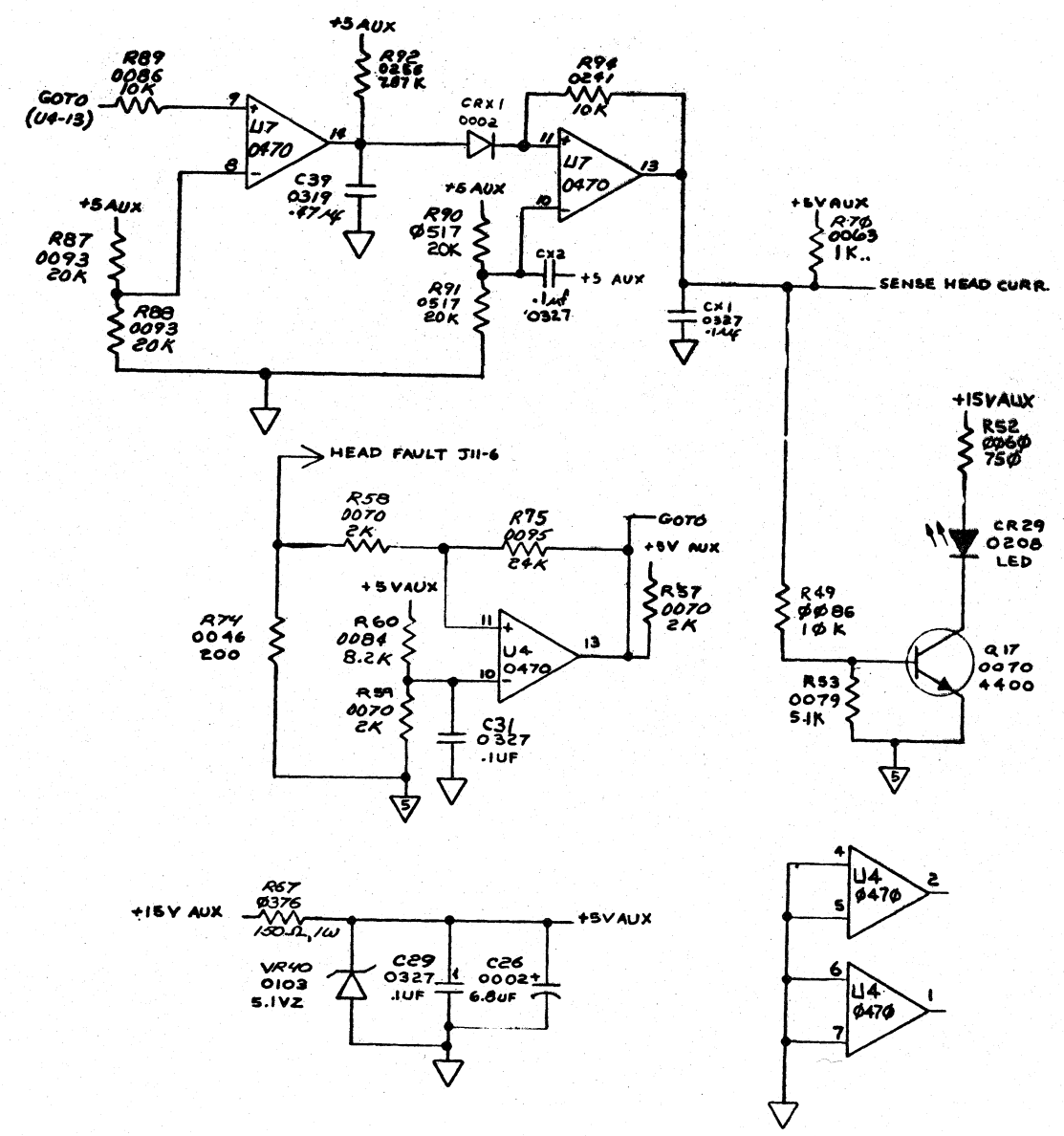
DWR SUP		ITEM	QTY	DESCRIPTION	PART NO
DO NOT SCALE DRAWING					
UNLESS OTHERWISE SPECIFIED					
USE D.C.C. SPECIFICATION					
100 G0028 FOR TOLERANCES AND WORKMANSHIP REQUIREMENTS					
MATERIAL					
FINISH					
DRAWN		DATE			
CHECKED		DATE			
ENGINEER		DATE			
APPROVED		DATE			
FIRST USED ON					
DATE					
SCALE					
CODE IDENT	SIZE	CODE	DRAWING NUMBER		
34984	D	001	002600		
03					

DATA GENERAL CORPORATION
SOUTHBORO, MASS. 01772

TITLE
POWER SUPPLY
DASHER
LP2 + TP2

ALL DIMENSIONS AND SPECIFICATIONS SHOWN ARE THE PROPERTY OF DATA GENERAL CORPORATION AND SHALL BE REPRODUCED BY COMPANY OR INDIVIDUAL WITHOUT WRITTEN PERMISSION.

REVISIONS				
REV.	DESCRIPTION	DATE	APP. BY	CHKD.



ITEM	QTY	DESCRIPTION	PART NO.

DO NOT SCALE DRAWING. UNLESS OTHERWISE SPECIFIED USE D.G.C. SPECIFICATION 108-000028 FOR TOLERANCES AND WORKMANSHIP REQUIREMENTS.	DESIGNER: <i>AB</i>	DATE: 1-16-77	DATA GENERAL CORPORATION SOUTHBORO, MASS. 01772
MATERIAL:	CHECKED:	ENGINEER:	
FINISH:	APPROVED:	FIRST USED ON:	TITLE: POWER SUPPLY DASHER LP2 + TP2
SCALE:	CODE IDENT:	SIZE:	DRAWING NUMBER: 002600
	34984	D 001	REV: 03

DRAWING 40-525-20411-10