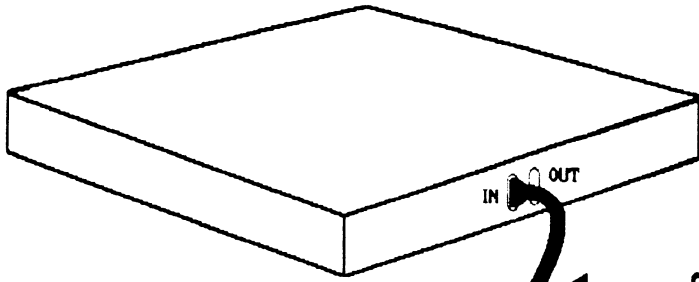


6.

SUBSYSTEM  
CABLE  
DIAGRAMS

# Peripheral Enclosure

NOTE:  
SCSI Termination is on Disk Drive.



9' External Cable to  
Peripheral Enclosure  
(P/N 300-183-03)

External  
Cable  
(50-pin)

D.G. FCC Connector Panel

18" Internal Cable  
(P/N 300-148-01)

"A" Paddleboard Assembly  
(P/N 500-463-00)

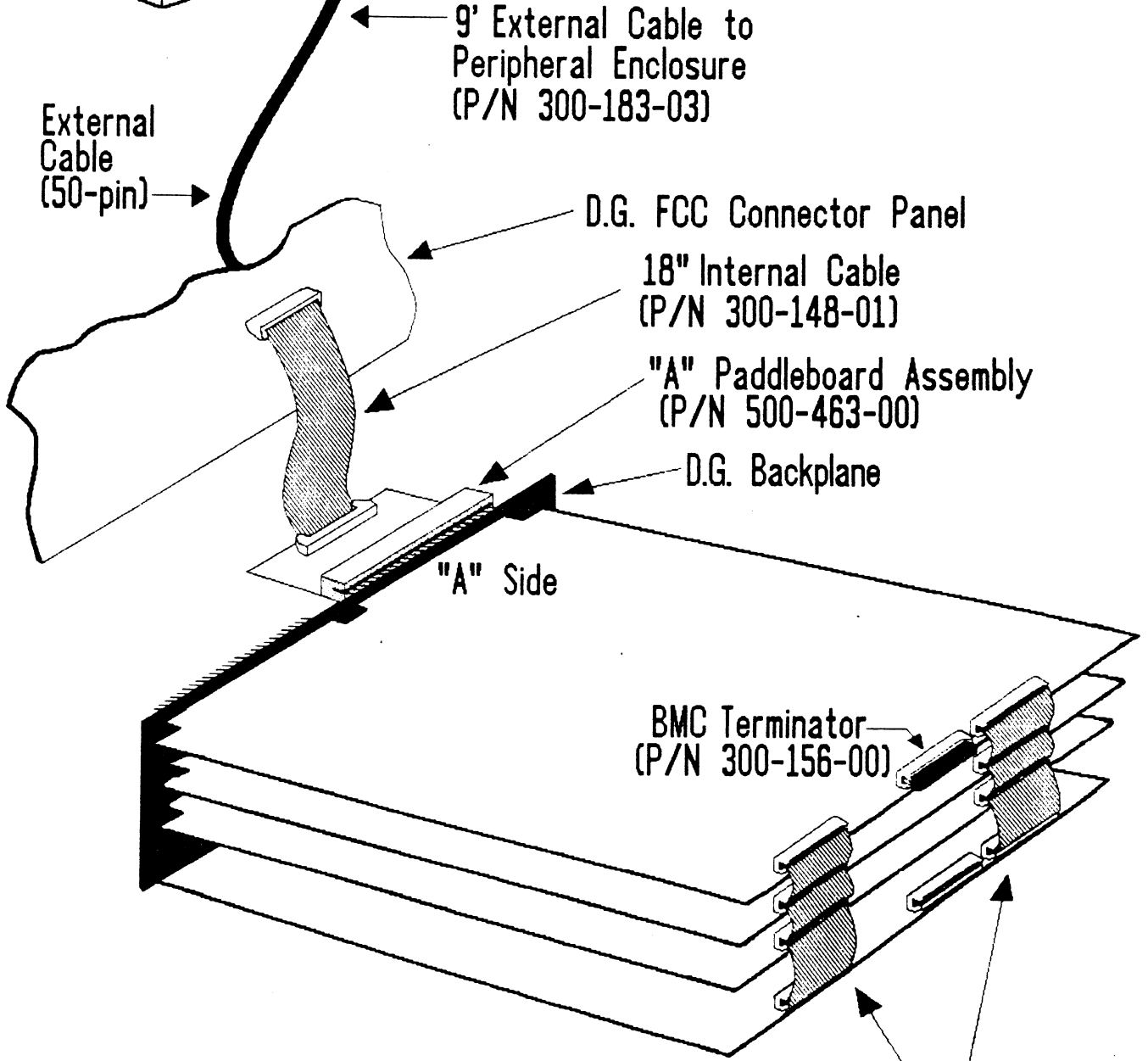
D.G. Backplane

"A" Side

BMC Terminator  
(P/N 300-156-00)

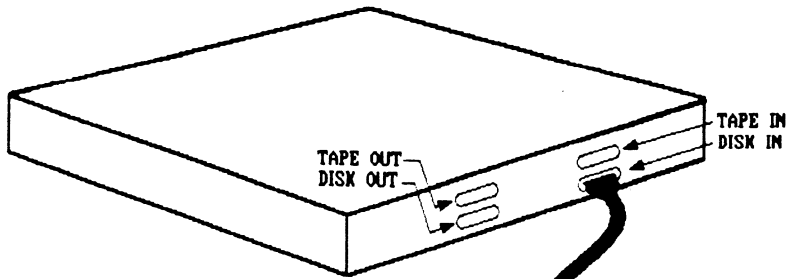
BMC Bus Cables  
(P/N 300-038-01)

SKS-HP SUBSYSTEM



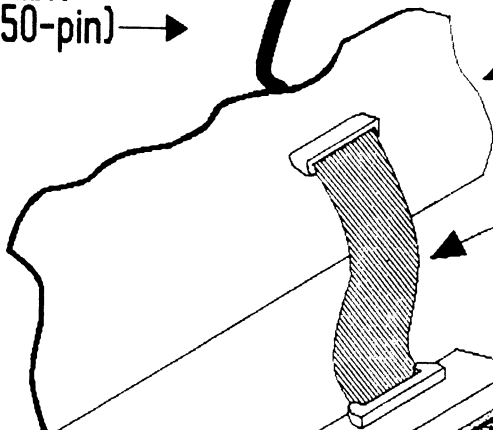
SCSI Terminator is external. One for disk and one for tape.  
(P/N 124-069-00)

Peripheral Enclosure



9' External Cable to Peripheral Enclosure  
(P/N 300-188-04; one each for disk and tape.)

External Cable (50-pin)

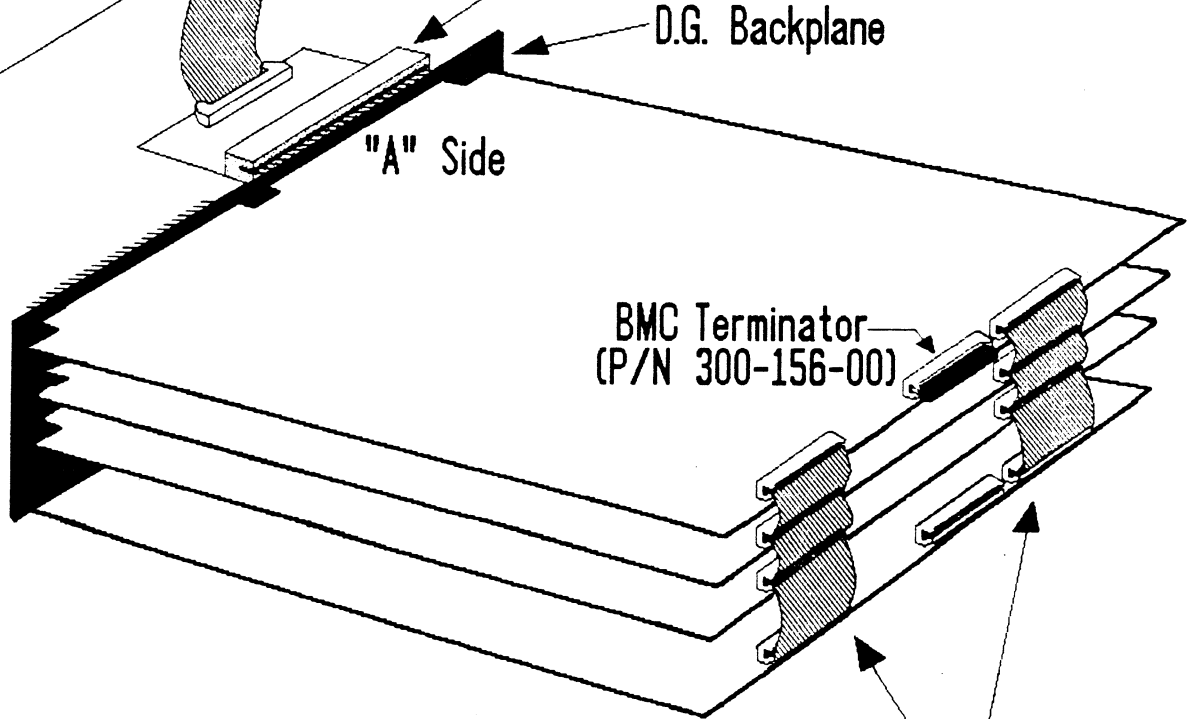


D.G. FCC Connector Panel

18" Internal Cable  
(P/N 300-148-01)

"A" Paddleboard Assembly  
(P/N 500-463-00)

D.G. Backplane



"A" Side

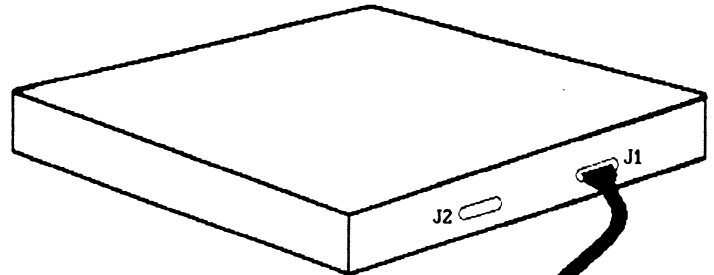
BMC Terminator  
(P/N 300-156-00)

BMC Bus Cables  
(P/N 300-038-01)

SKM SUBSYSTEM

Peripheral Enclosure

SCSI Terminator is external.  
(P/N 124-041-00)



9' External Cable to  
Peripheral Enclosure  
(P/N 300-193-03)

External  
Cable  
(50-pin)

D.G. FCC Connector Panel  
18" Internal Cable  
(P/N 300-148-01)

"A" Paddleboard Assembly  
(P/N 500-478-00)

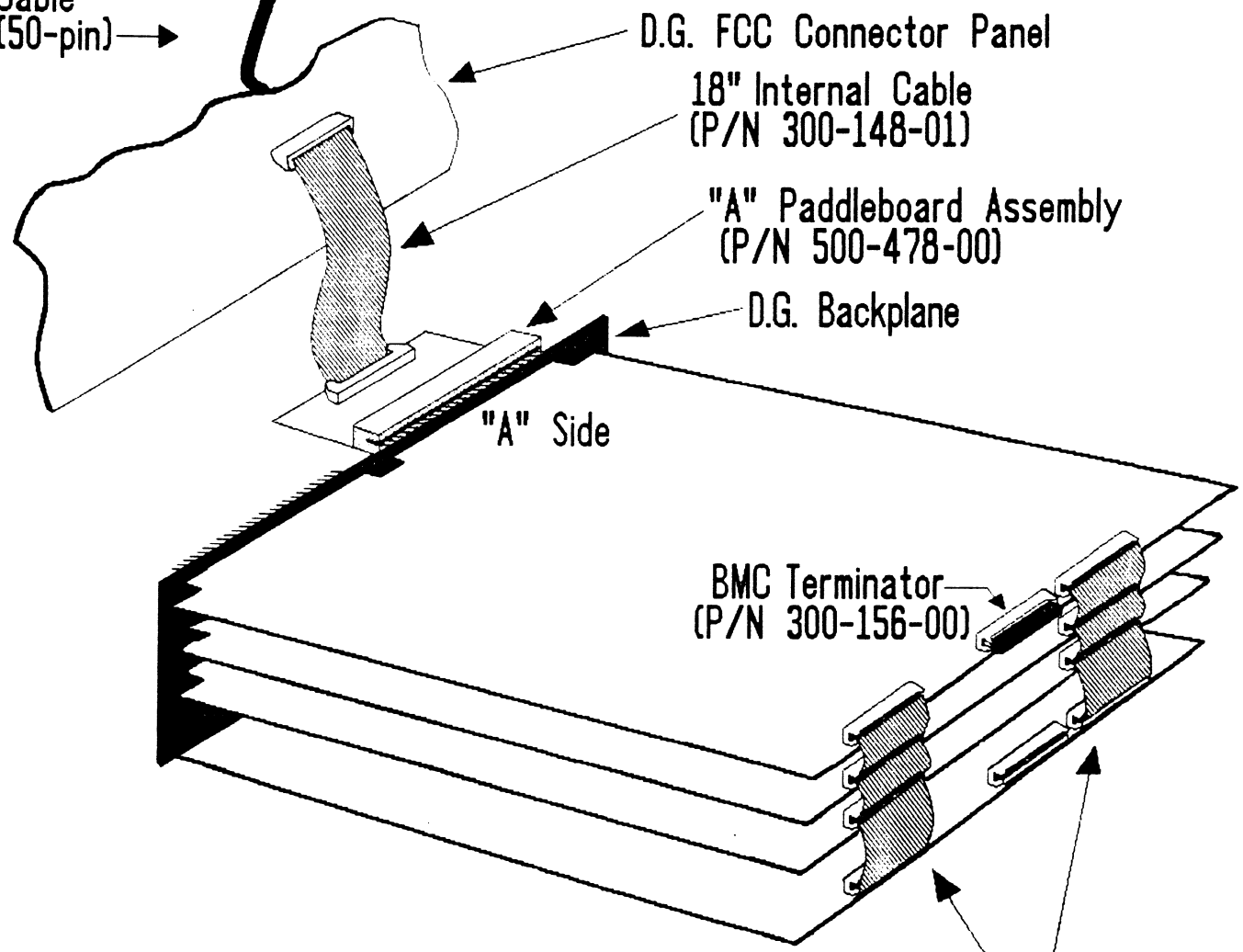
D.G. Backplane

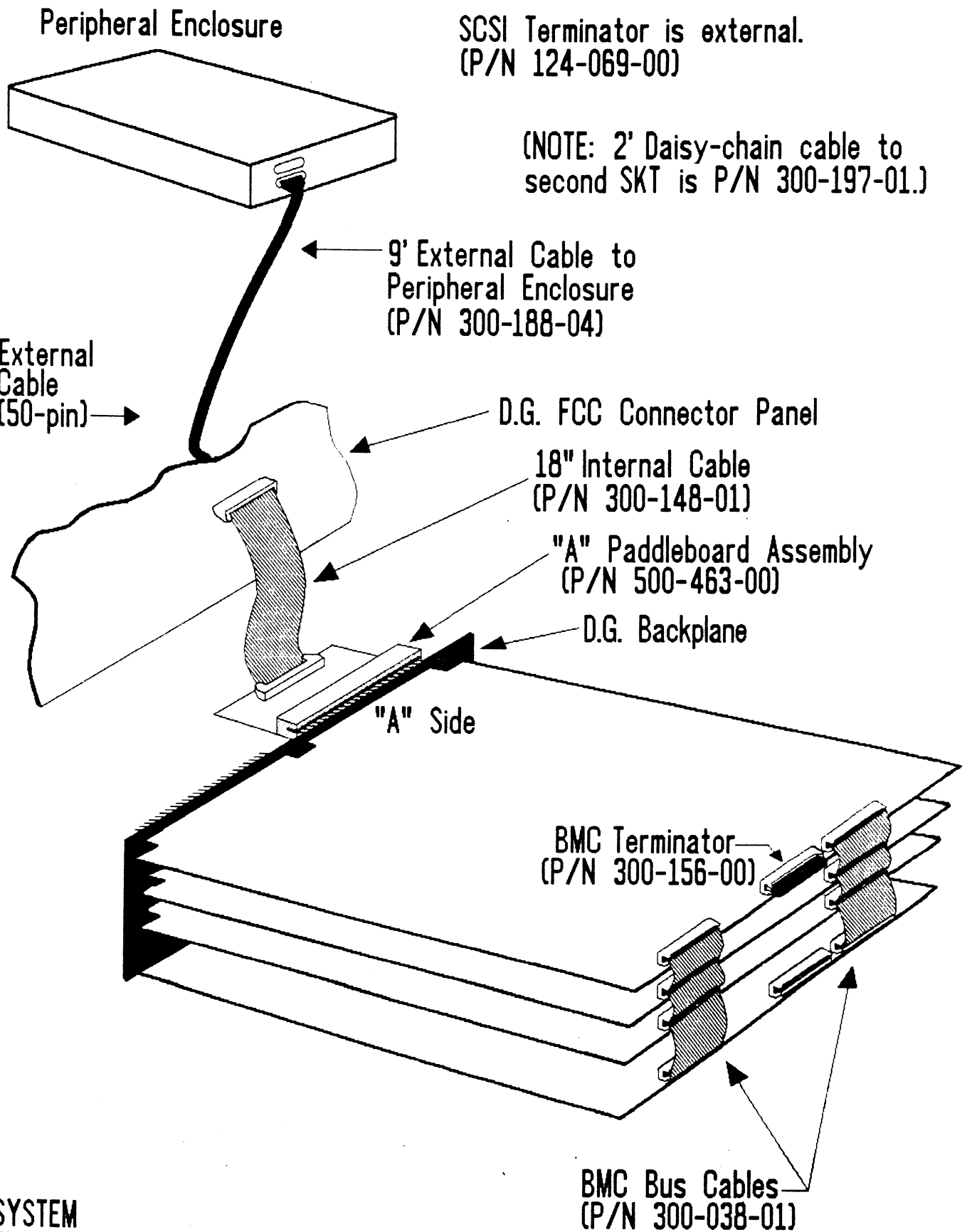
"A" Side

BMC Terminator  
(P/N 300-156-00)

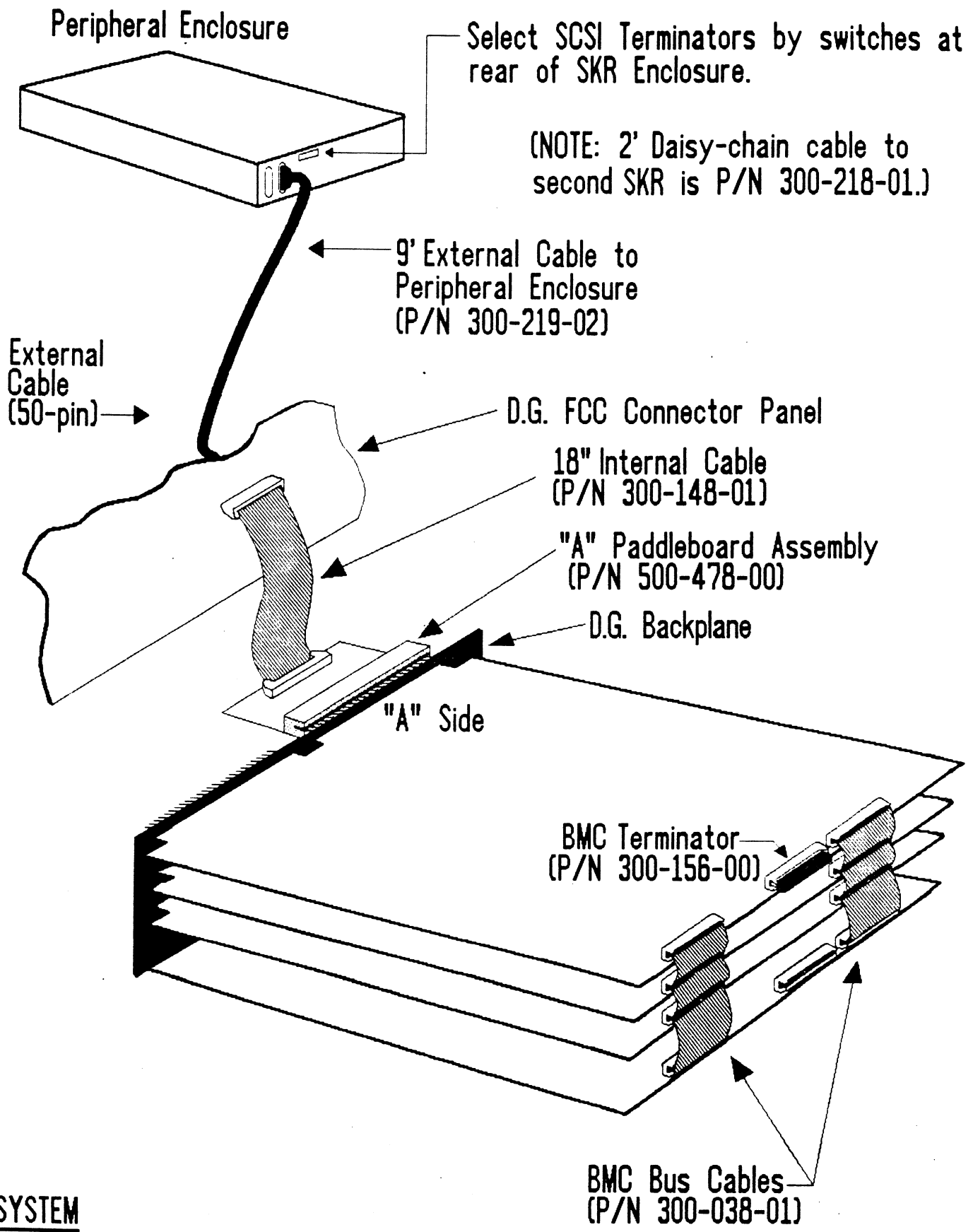
BMC Bus Cables  
(P/N 300-038-01)

SKS-HP REMOVABLE SUBSYSTEM





SKT SUBSYSTEM



SKR SUBSYSTEM