


REVISION			
REV	DESCRIPTION	DATE	BY
0002	CHANGES ON PAGE 12	1-11-82	
0071	CHANGES ON PAGES 7, 8, 12	1-23-83	
0164	CHANGE SHEET 11	8-10-84	CK
0234	SHEET 9	1-5-84	
0403	SHEETS 11 & 14	10-18	

LP-370

NOTE

- NUMBERS FOUND WITHIN THE HEXAGON SYMBOLS INDICATE SHEETS WHERE CONTINUED LOGIC WILL BE FOUND.
EXAMPLE:  = SHEET 2

DISTRIBUTION CONTROL

This design is considered original and to have some unique features. It is not to be copied, distributed or redrawn without written permission from

CUSTOM SYSTEMS INC.
MINNEAPOLIS, MINNESOTA

(SHEET 1 OF 19)

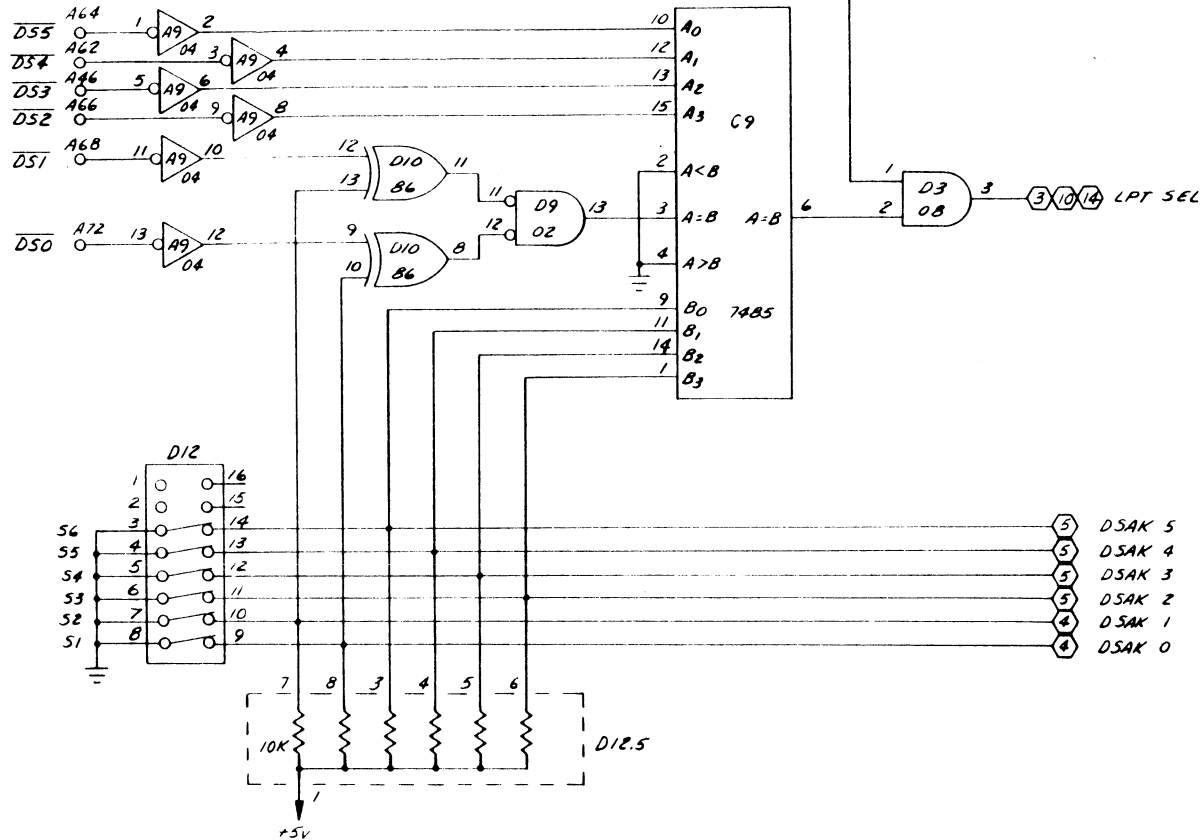
© 1985 ZETACO			
DATE	REVISION	BY	CHK
11-3-78			
11-3-80			
LP-370		700-220-00A	

© 1982
CUSTOM SYSTEMS, INC.
U.S.A.

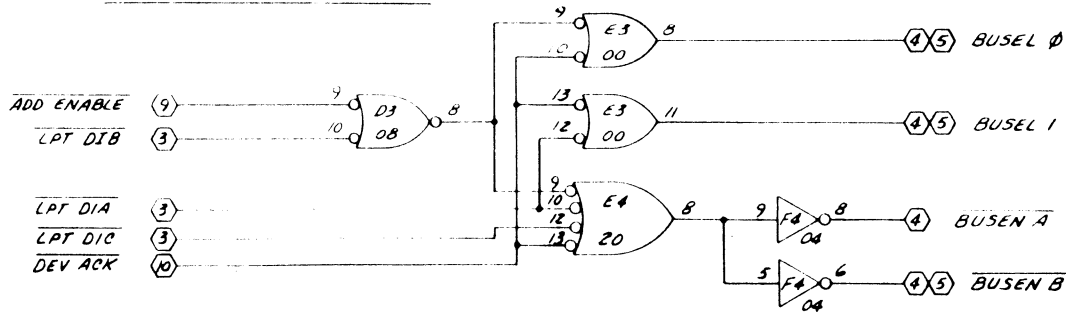
REVISIONS & ETC

700220-000 A

TEST MODE (18)



BUS MULTIPLEXOR CONTROL



DEVICE CODE TABLE

DEVICE CODE	S1	S2	S3	S4	S5	S6
0X	C	C	C			
1X	C	C	0			
2X	C	0	C			
3X	C	0	0			
4X	0	C	C			
5X	0	C	0			
6X	0	0	C			
7X	0	0	0			
X0				C	C	0
X1				C	C	0
X2				C	0	C
X3				C	0	0
X4				0	0	C
X5				0	C	0
X6				0	0	C
X7				0	0	0

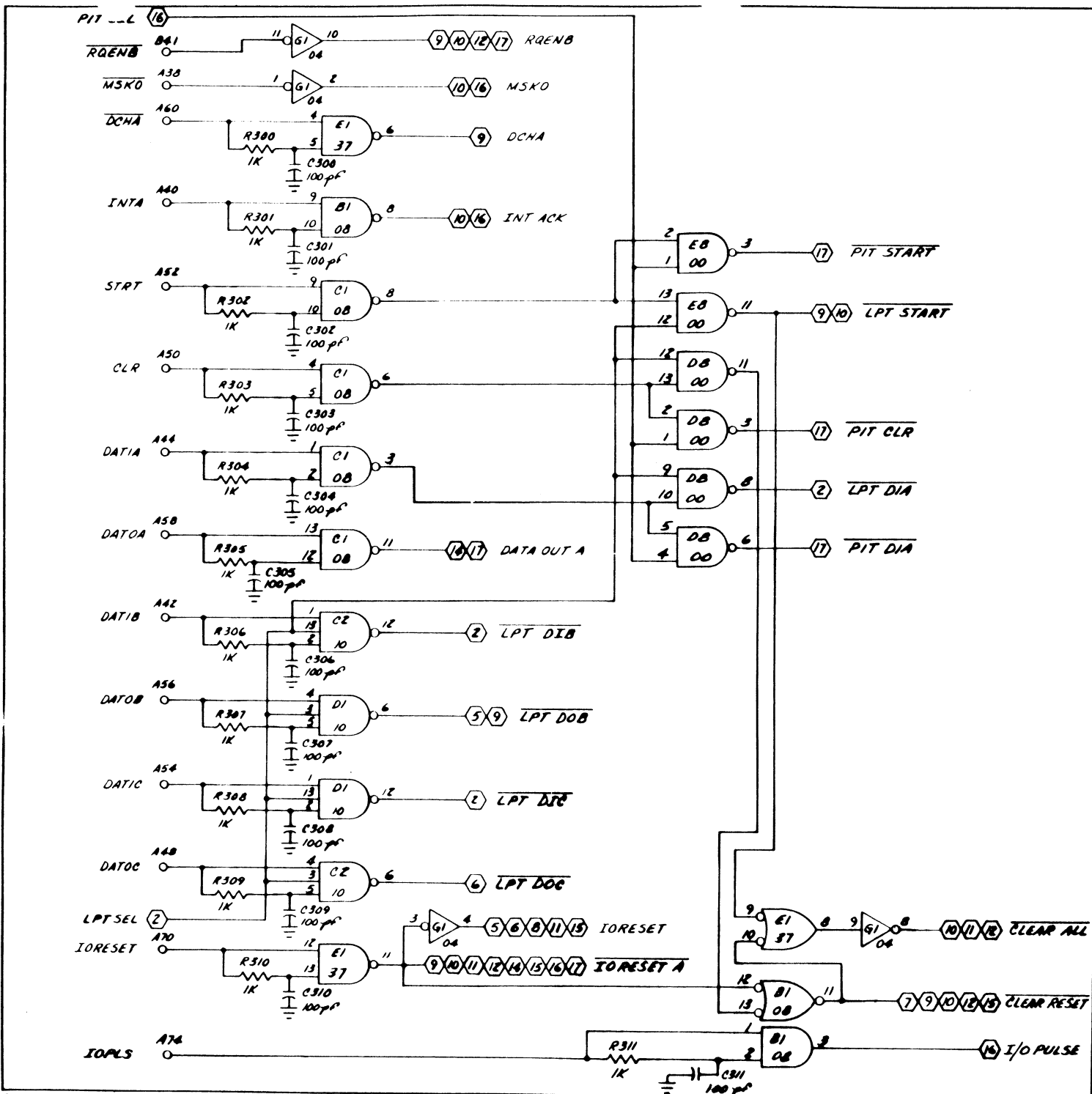
X = DONT CARE
 0 = SWITCH OPEN
 C = SWITCH CLOSED

DISTRIBUTION CONTROL
 This design is considered original and to have some unique features. It is not to be copied, distributed or redrawn without written permission from
CUSTOM SYSTEMS INC.
 MINNEAPOLIS, MINNESOTA

(SHEET 2)

1985 ZETACO

DRAWN BY C.M.	DATE 11-3-74	REVISIONS	DATE
CHECKED BY			
APPROVED BY			
SCALE:			
TITLE DEVICE SELECT	DRAWING NUMBER 700-220-00A		



DISTRIBUTION CONTROL
 This design is considered original and to have some unique features. It is not to be copied, distributed or redrawn without written permission from
CUSTOM SYSTEMS INC.
 MINNEAPOLIS, MINNESOTA

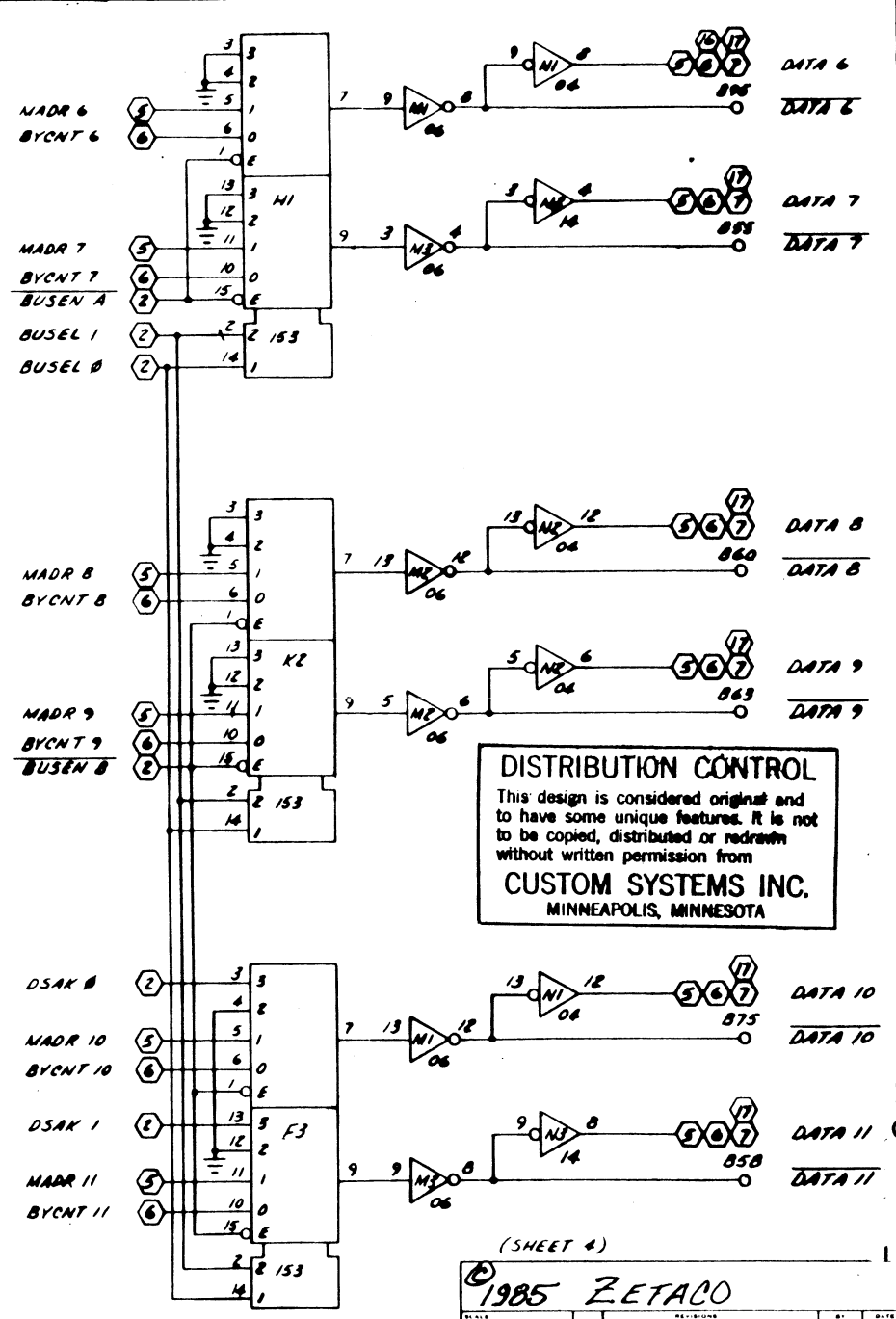
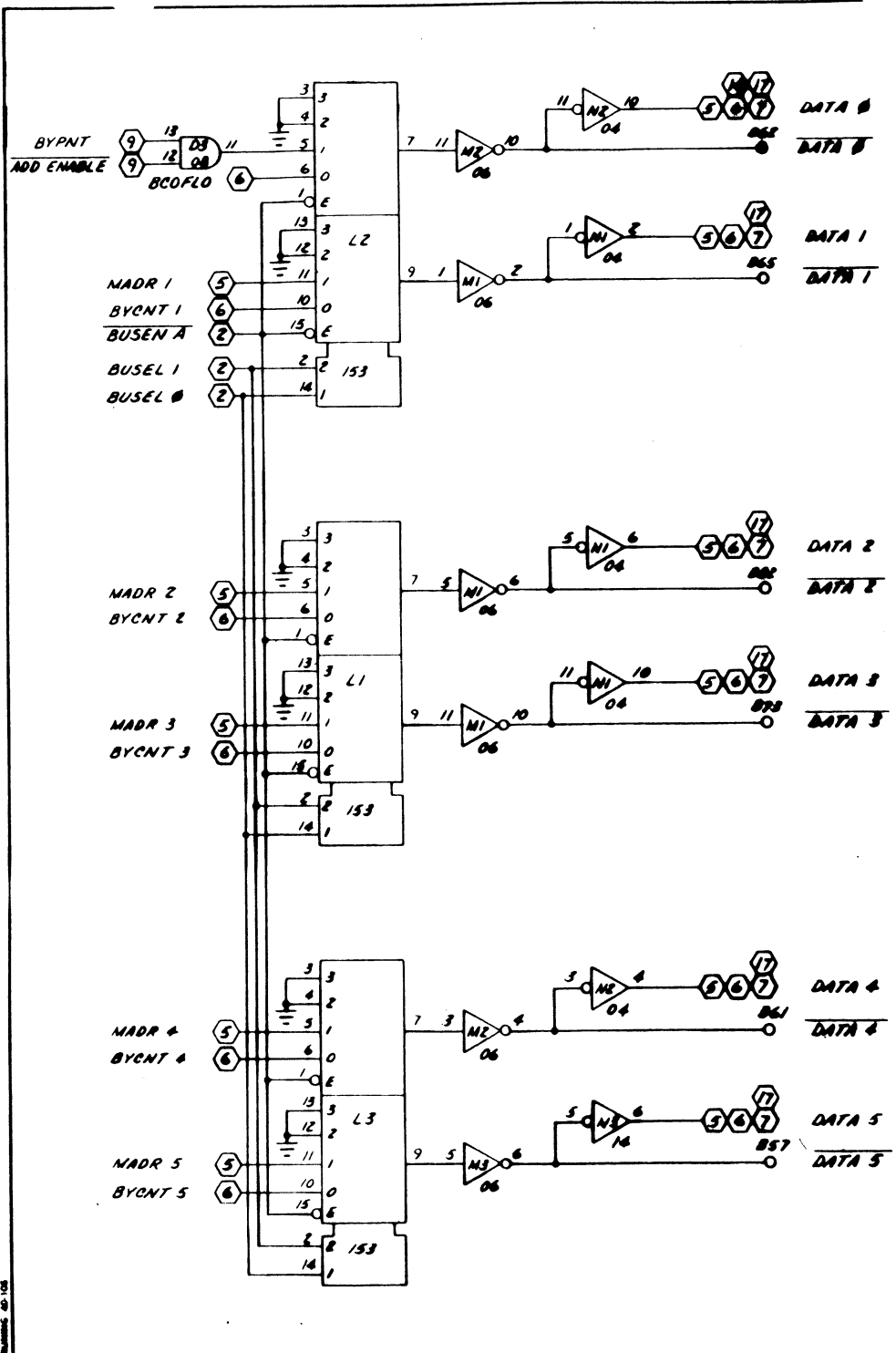
(SHEET 3)

1985 ZETACO

11-3-78
 68

BUS CONTROL

100-220-000



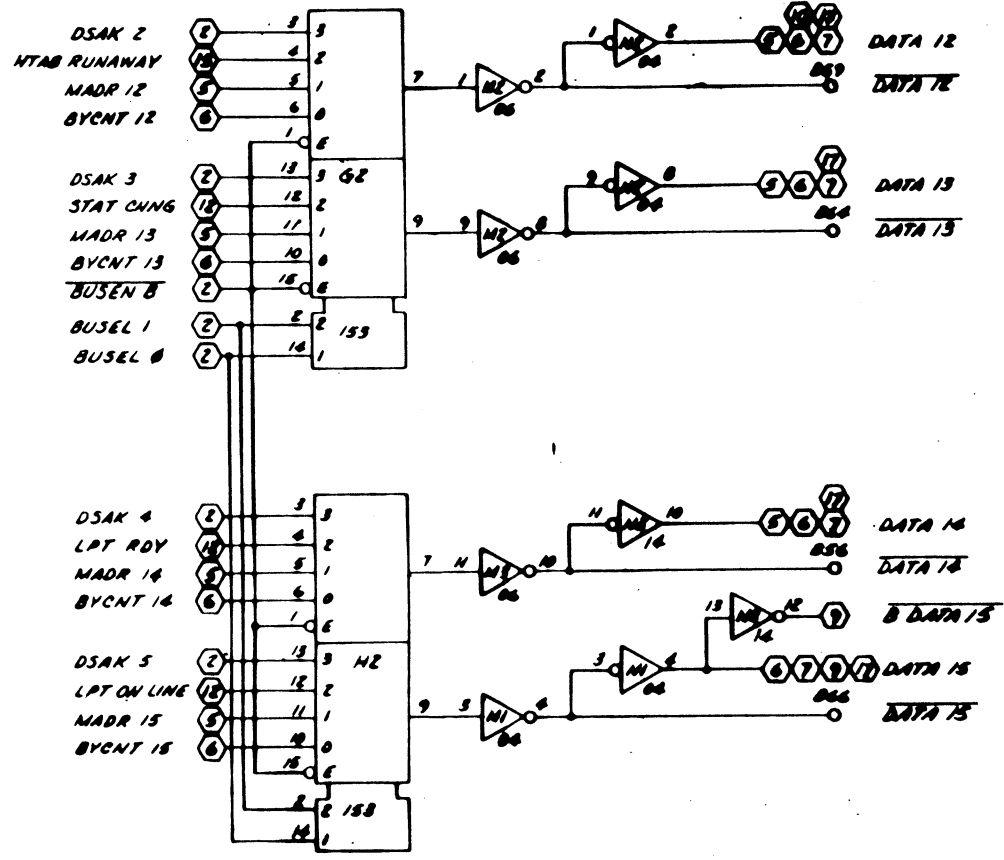
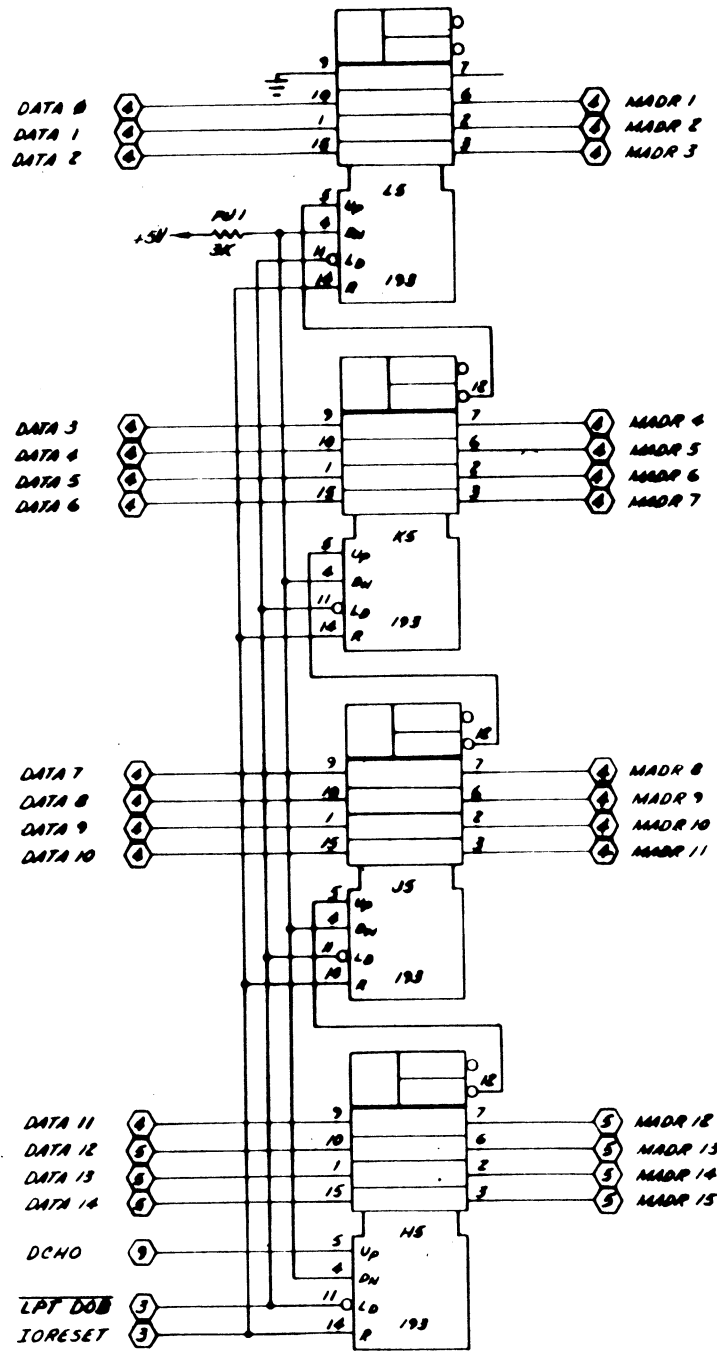
DISTRIBUTION CONTROL
 This design is considered original and to have some unique features. It is not to be copied, distributed or redrawn without written permission from
CUSTOM SYSTEMS INC.
 MINNEAPOLIS, MINNESOTA

(SHEET 4)

© 1985 ZETACO

DATE	REV	BY	DATE
LL 3-78	6		
BUS INPUT MULTIPLEXOR			

70-220-00A

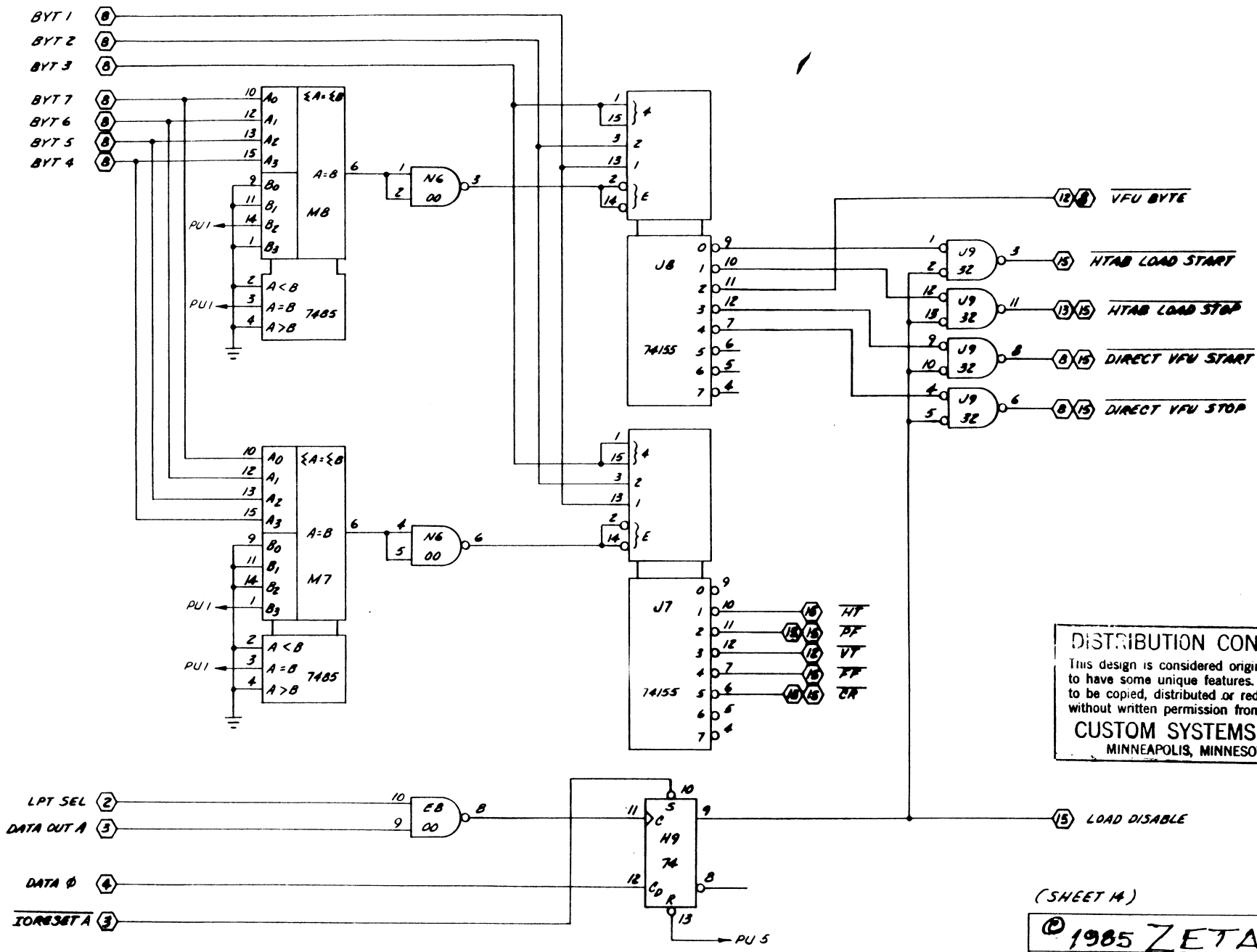


DISTRIBUTION CONTROL
 This design is considered original and to have some unique features. It is not to be copied, distributed or reproduced without written permission from
CUSTOM SYSTEMS INC.
 MINNEAPOLIS, MINNESOTA

(SHEET 5)

© 1985 ZETACO

SCALE	REVISIONS	BY	DATE
DATE 11-3-78			
TIME 2:00			
TITLE	MEMORY ADDRESS 700-220-000		



DISTRIBUTION CONTROL
 This design is considered original and to have some unique features. It is not to be copied, distributed or redrawn without written permission from
CUSTOM SYSTEMS INC.
 MINNEAPOLIS, MINNESOTA

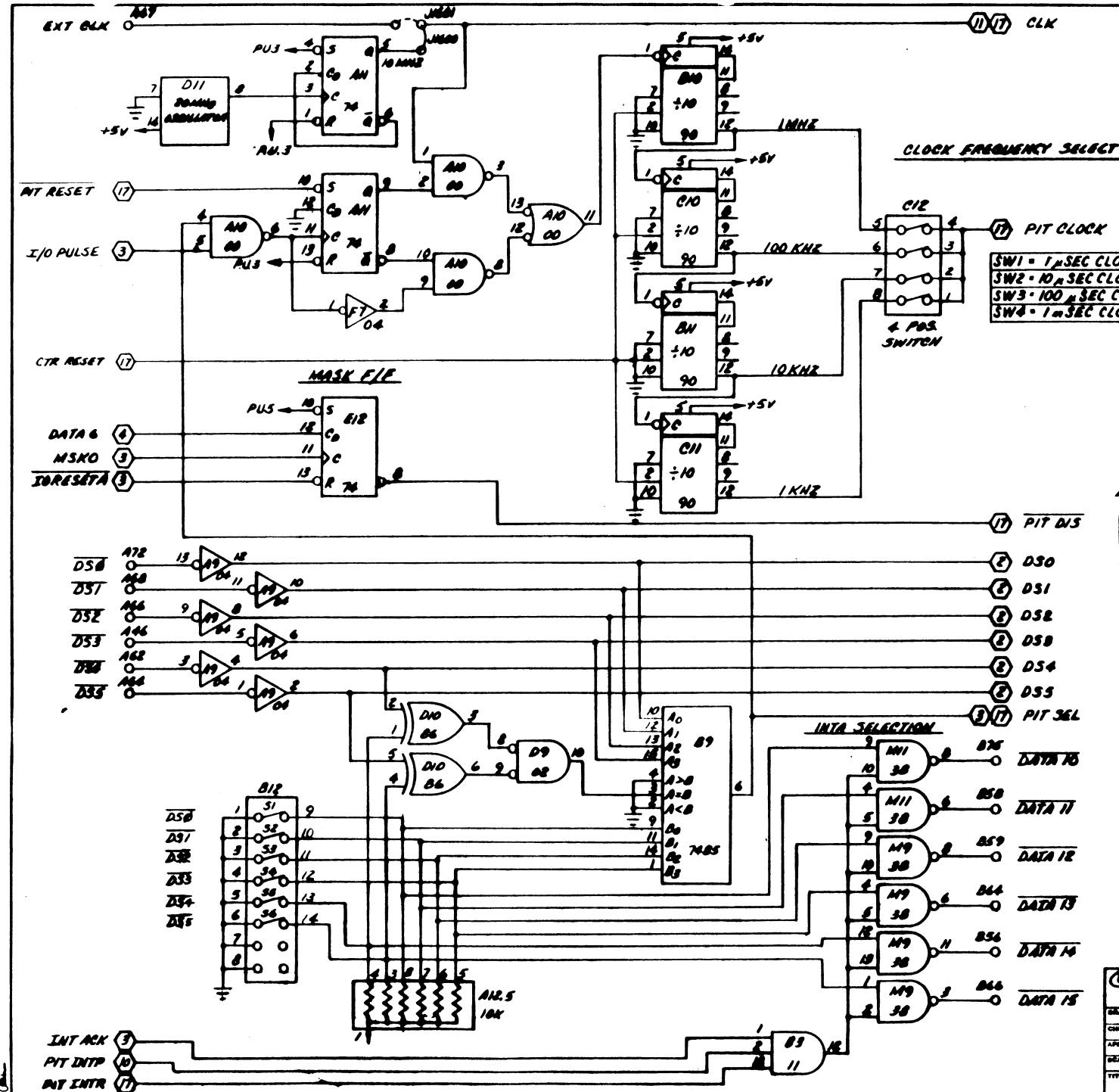
(SHEET 14)

© 1985 ZETACÓ

DATE	11-3-78	BY		DATA	
DESIGN	C.M.	NO	C.B.		
APP'VD					
TITLE	FUNCTION DECODE		NO	700-220-00A	

© 1982 CUSTOM SYSTEMS, INC. U.S.A.

DISTRIBUTION CONTROL
 This design is considered original and to have some unique features. It is not to be copied, distributed or redrawn without written permission from
CUSTOM SYSTEMS INC.
 MINNEAPOLIS, MINNESOTA



700220-000 A

DEVICE CODE TABLE SWITCH B12

DEVICE CODE	S1	S2	S3	S4	S5	S6
0X	C	C	C			
1X	C	C	0			
2X	C	0	C			
3X	C	0	0			
4X	0	C	C			
5X	0	C	0			
6X	0	0	C			
7X	0	0	0			
X0				C	C	C
X1				C	0	0
X2				C	0	0
X3				C	0	0
X4				0	C	C
X5				0	C	0
X6				0	0	C
X7				0	0	0

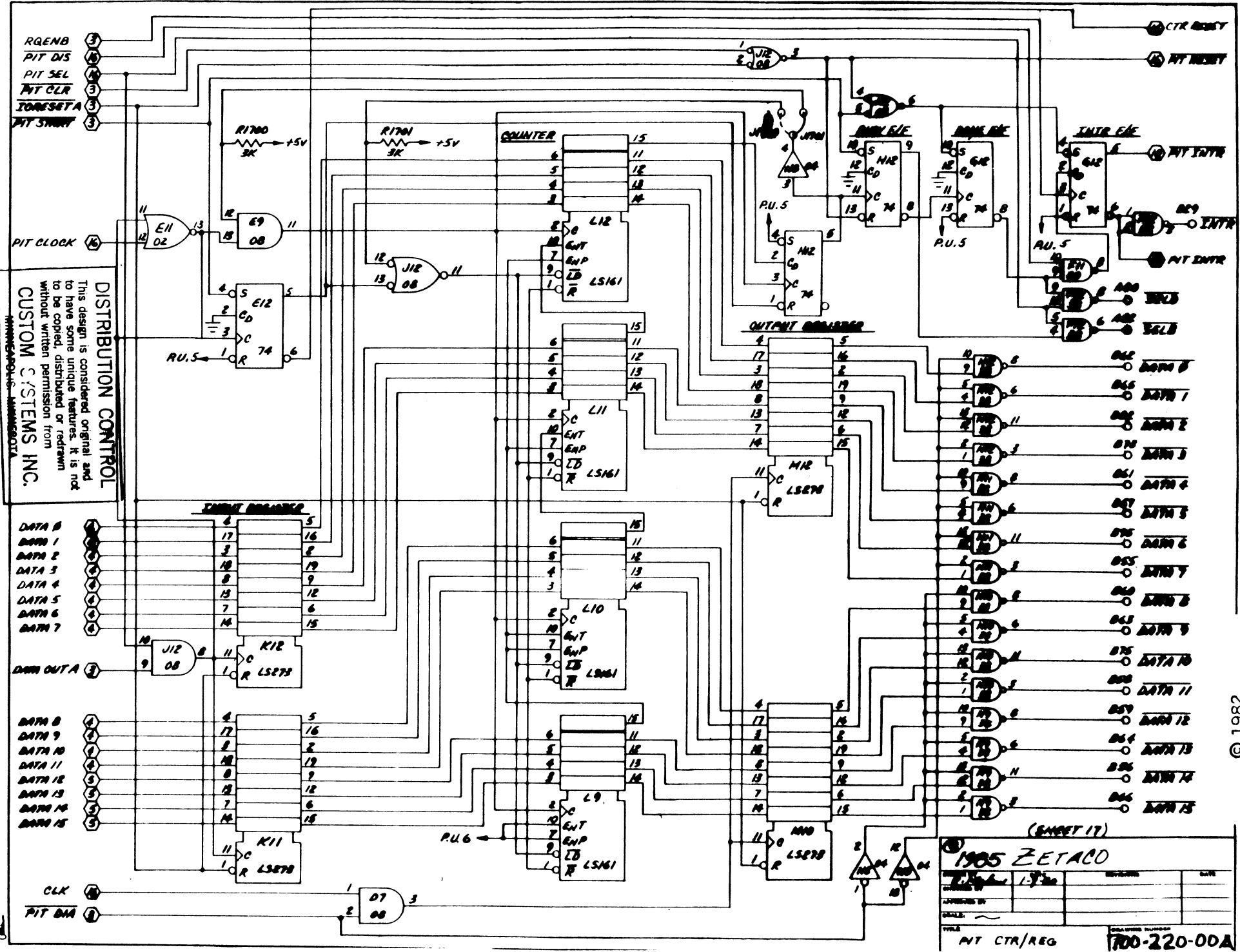
X = DON'T CARE
 0 = SWITCH OPEN
 C = SWITCH CLOSED

(SHEET 16)

© 1985 ZETACO

DESIGNED BY	DATE	REVISED	DATE
CHECKED BY			
APPROVED BY			
DRAWN			
TITLE	DRAWING NUMBER		
PIT DEVICE SELECT	700-220-000A		

© 1982
 CUSTOM SYSTEMS, INC.
 U.S.A.



DISTRIBUTION CONTROL

This design is considered original and to have some unique features. It is not to be copied, distributed or redrawn without written permission from

CUSTOM SYSTEMS INC.

MINNEAPOLIS, MINNESOTA

(SHEET 17)

1985 ZETACO

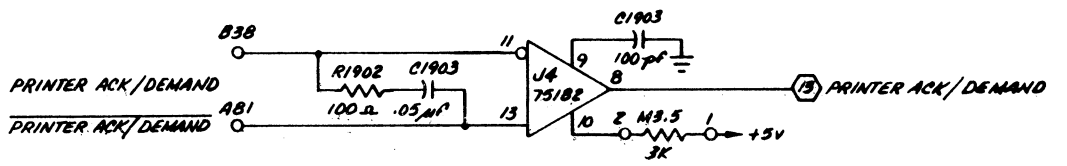
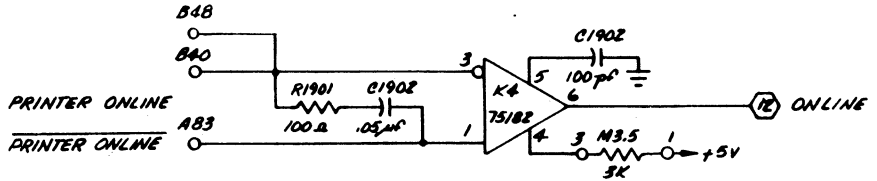
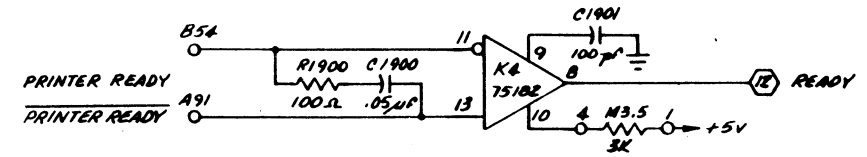
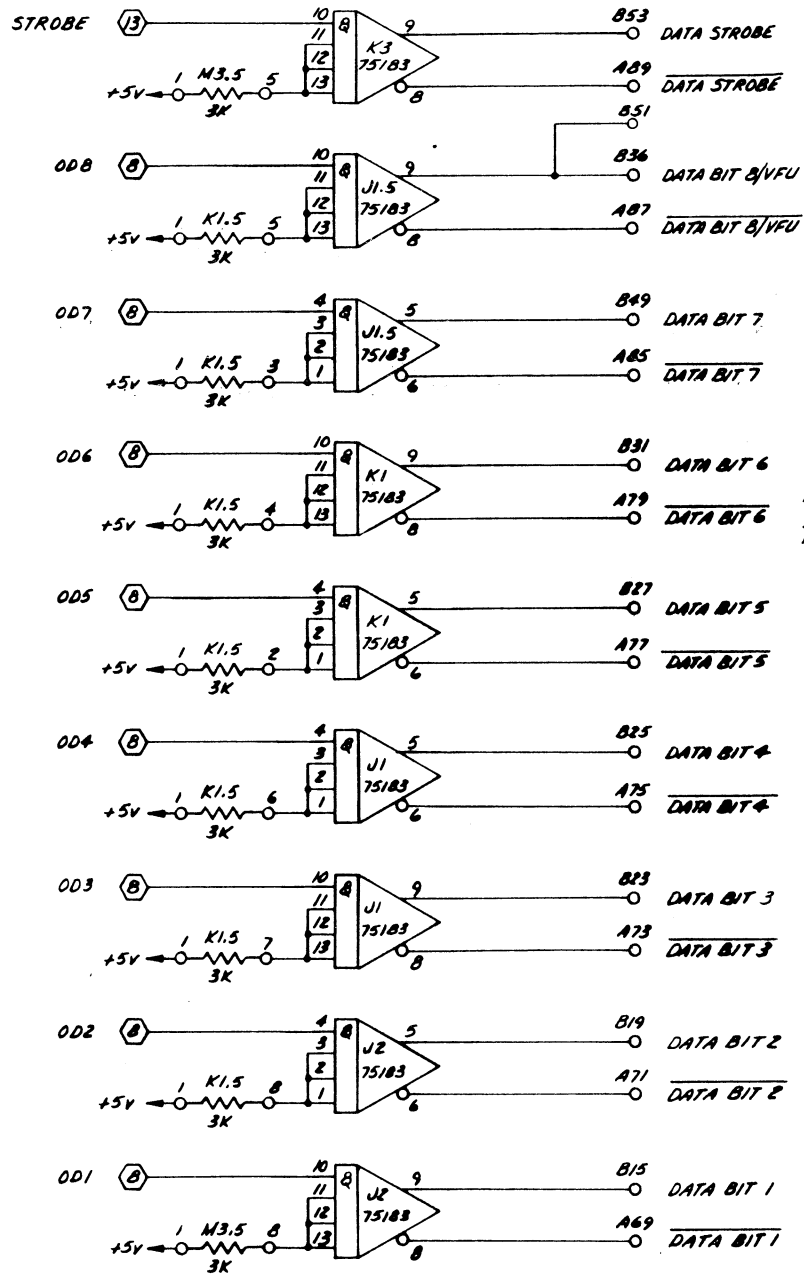
DATE: 1-7-80

DESIGNED BY: _____

DRAWN BY: _____

TITLE: MT CTR/REG

PROJECT NUMBER: 700-220-00A



DISTRIBUTION CONTROL

This design is considered original and to have some unique features. It is not to be copied, distributed or redrawn without written permission from

CUSTOM SYSTEMS INC.
MINNEAPOLIS, MINNESOTA

(SHEET 19)

© 1985 ZETACO

DRAWN BY C.H.	DATE 1-7-80	REVISIONS	PAGE
CHECKED BY			
APPROVED BY			
SCALE: ~			
TITLE LONG LINES OPTION		DRAWING NUMBER 100-220-00A	

