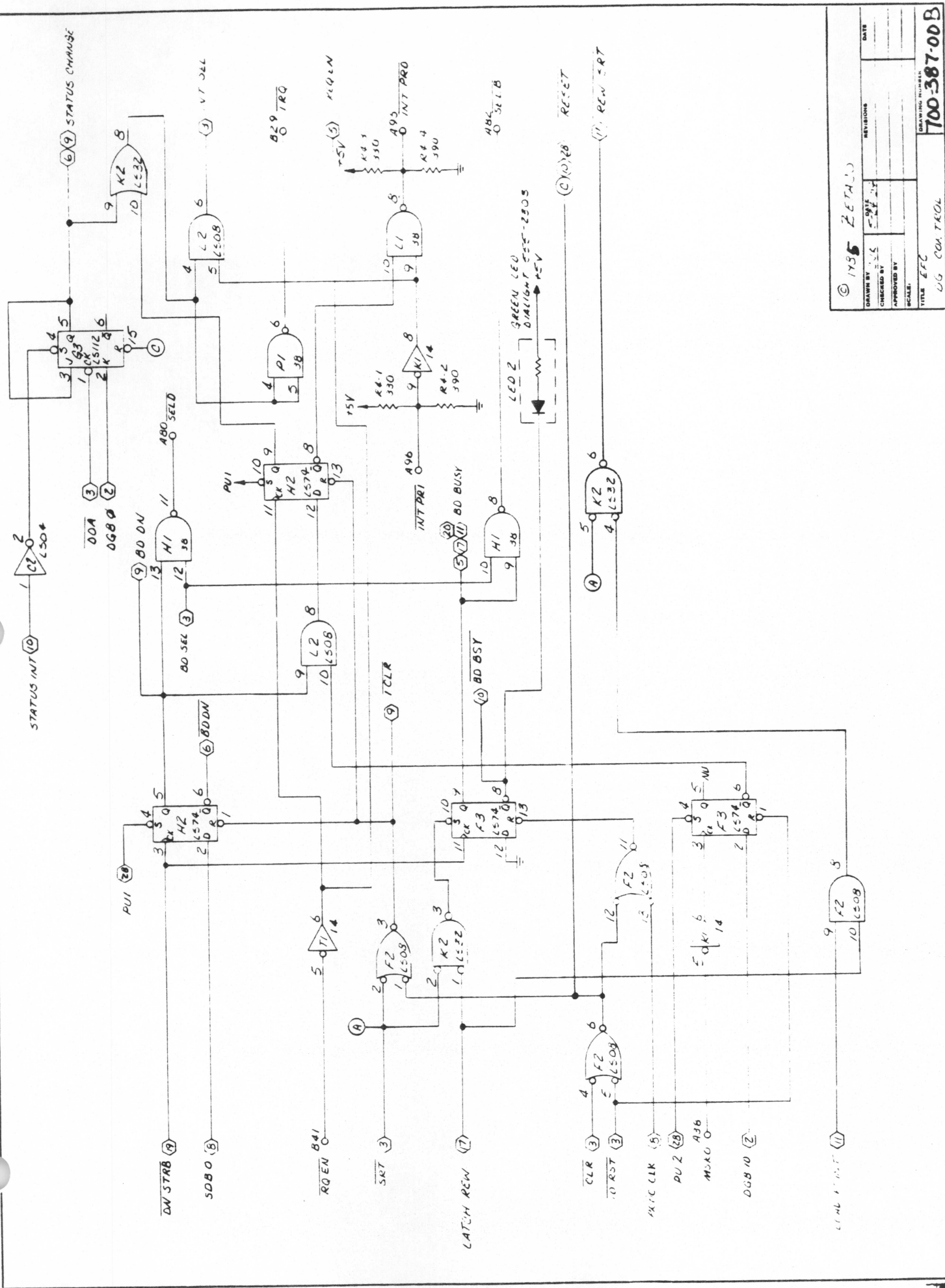


© 1985 ZETACO		REVISION	DATE
DRAWN BY GJK	5		
CHECKED BY			
APPROVED BY			
SCALE			
DRAWING NUMBER		700-387-00 B	
TITLE		DG INTERFAC	

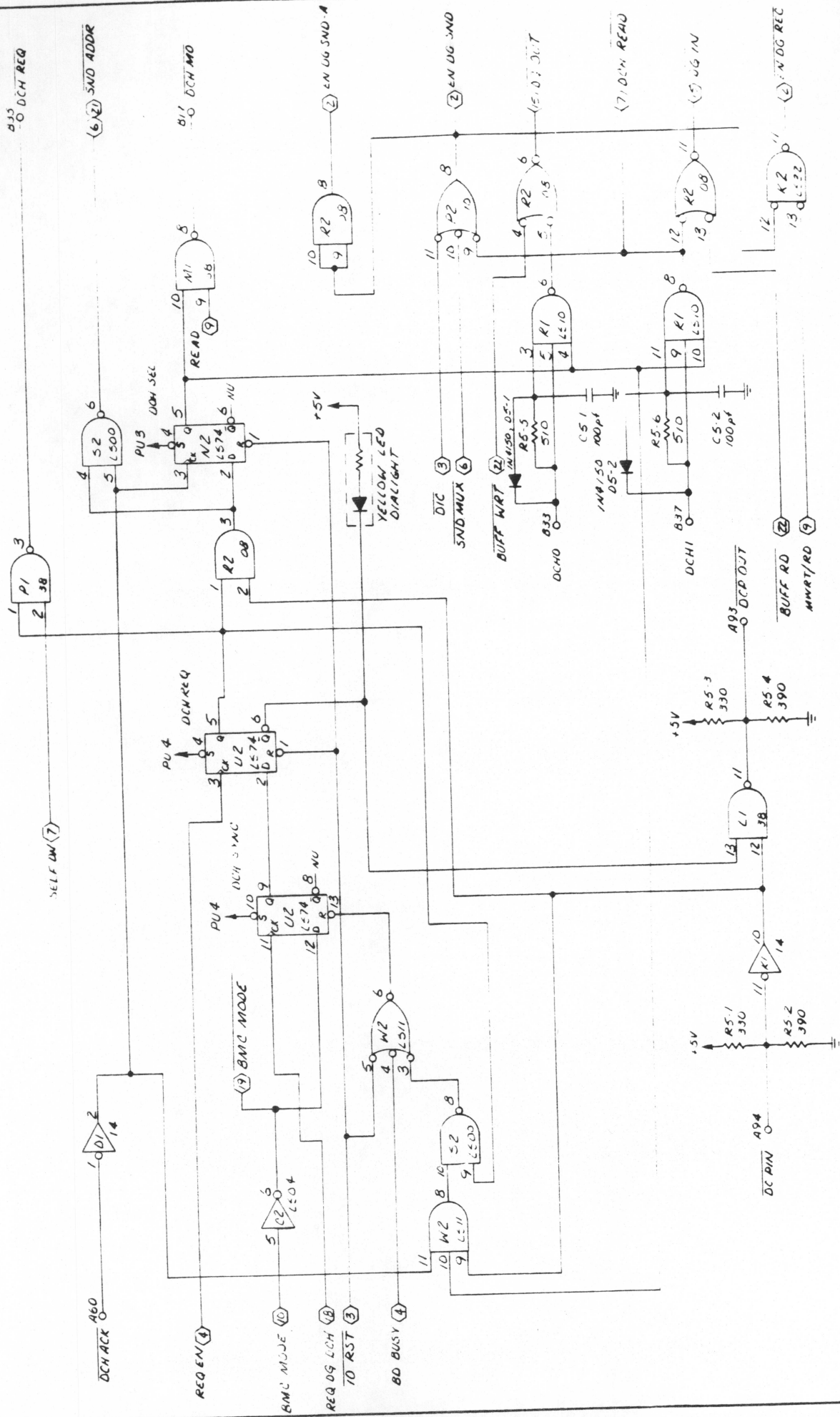
(SHEET 2)

700387-000 A



© 1975 ZETALCO		REVISIONS	DATE
DRAWN BY	5-17-75		
CHECKED BY			
APPROVED BY			
SCALE			
DRAWING NUMBER		700-387-00B	
TITLE		UG CONTROL	

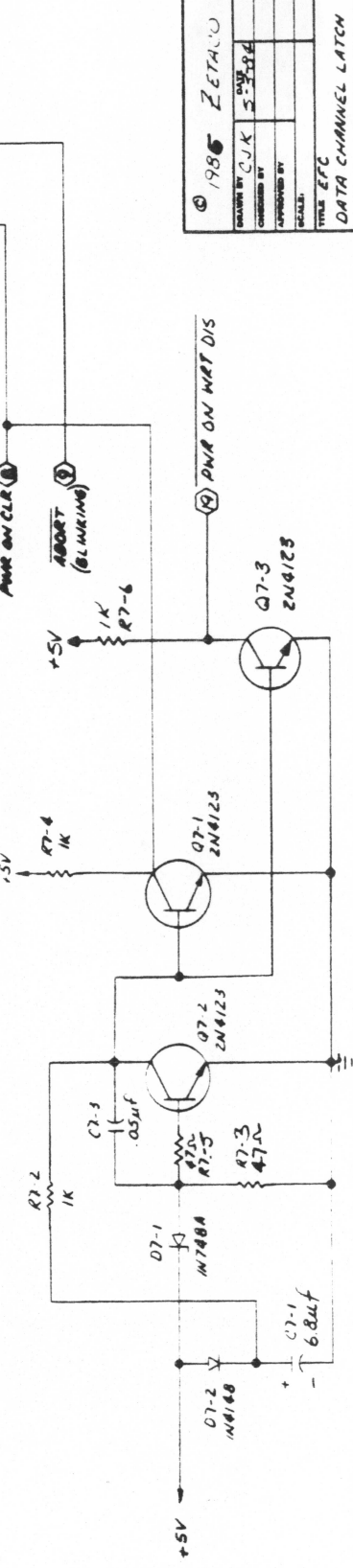
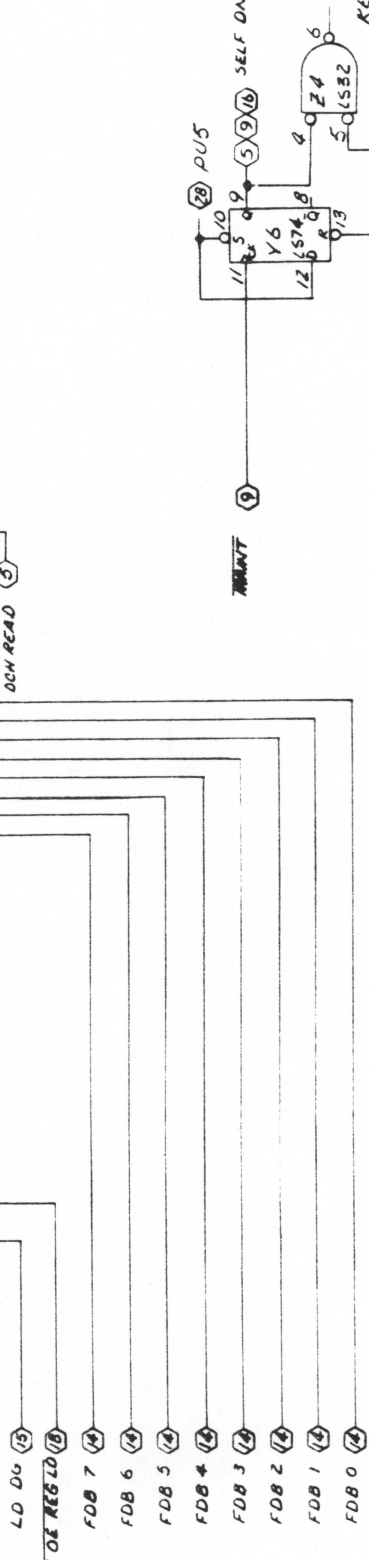
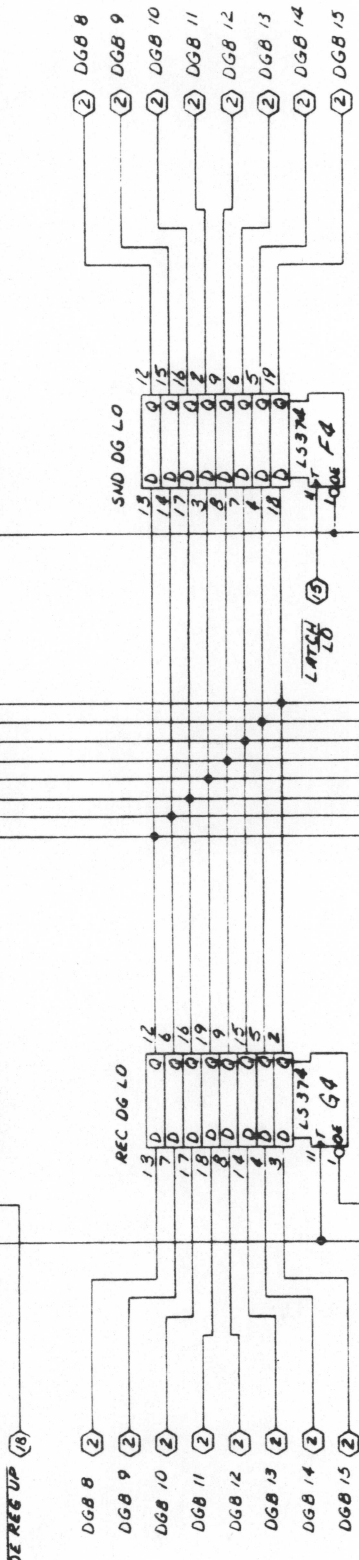
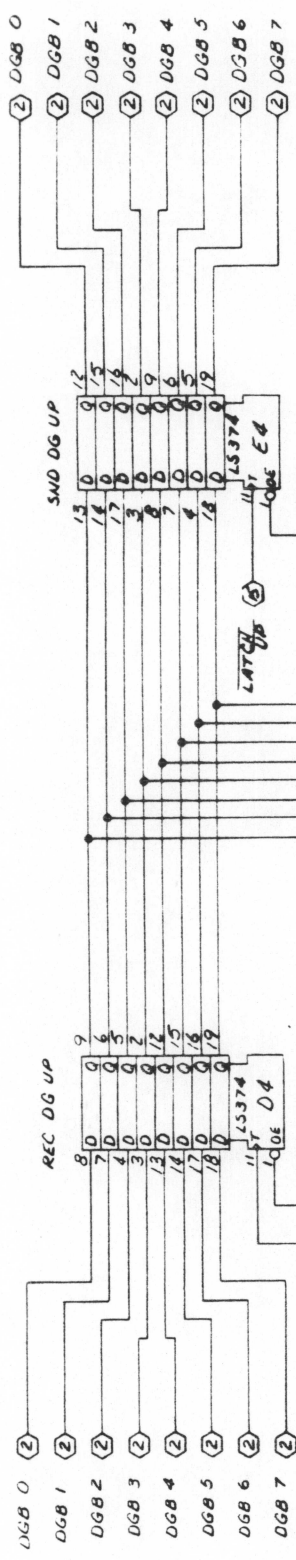
700387-000 A (SHEET 4)



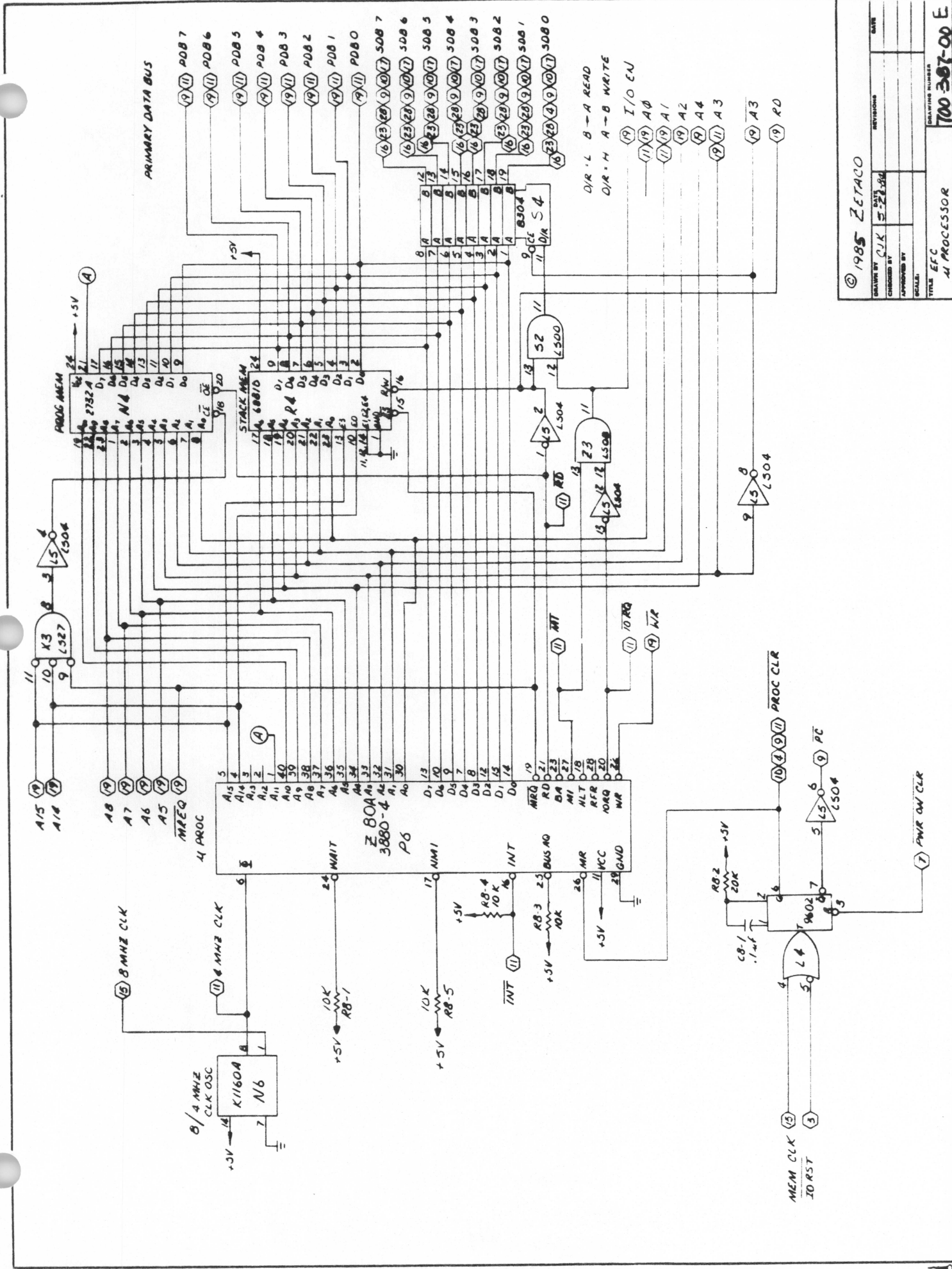
DATE	
REVISIONS	
DRAWN BY: JUK	CHECKED BY: [Signature]
APPROVED BY:	
SCALE:	
DRAWING NUMBER: 700-387-00	
TITLE: LG CONTROL UNIT	

(SHEET 5)

700387-000 A



1986 ZETA-10
 DRAWN BY CJK
 CHECKED BY S-2-86
 APPROVED BY
 SCALE
 TITLE EFC DATA CHANNEL LATCH
 PART NUMBER 100-307-001
 DATE



© 1985 ZETACO

DRAWN BY CLK 5 22 84

CHECKED BY

APPROVED BY

SCALE:

DATE

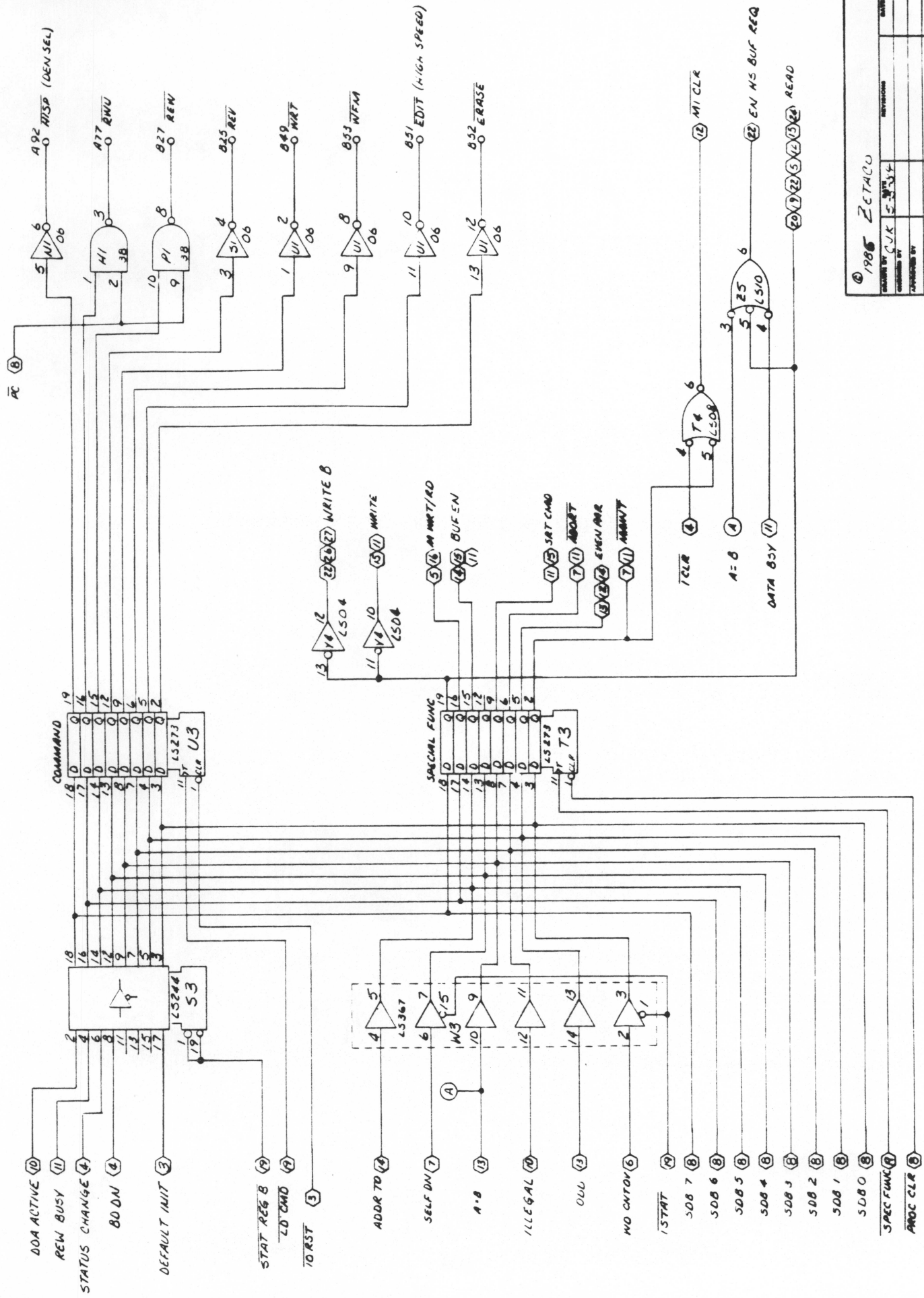
REVISIONS

TITLE: EFC AI PROCESSOR

DRAWING NUMBER: 700387-00 E

(SHEET 8)

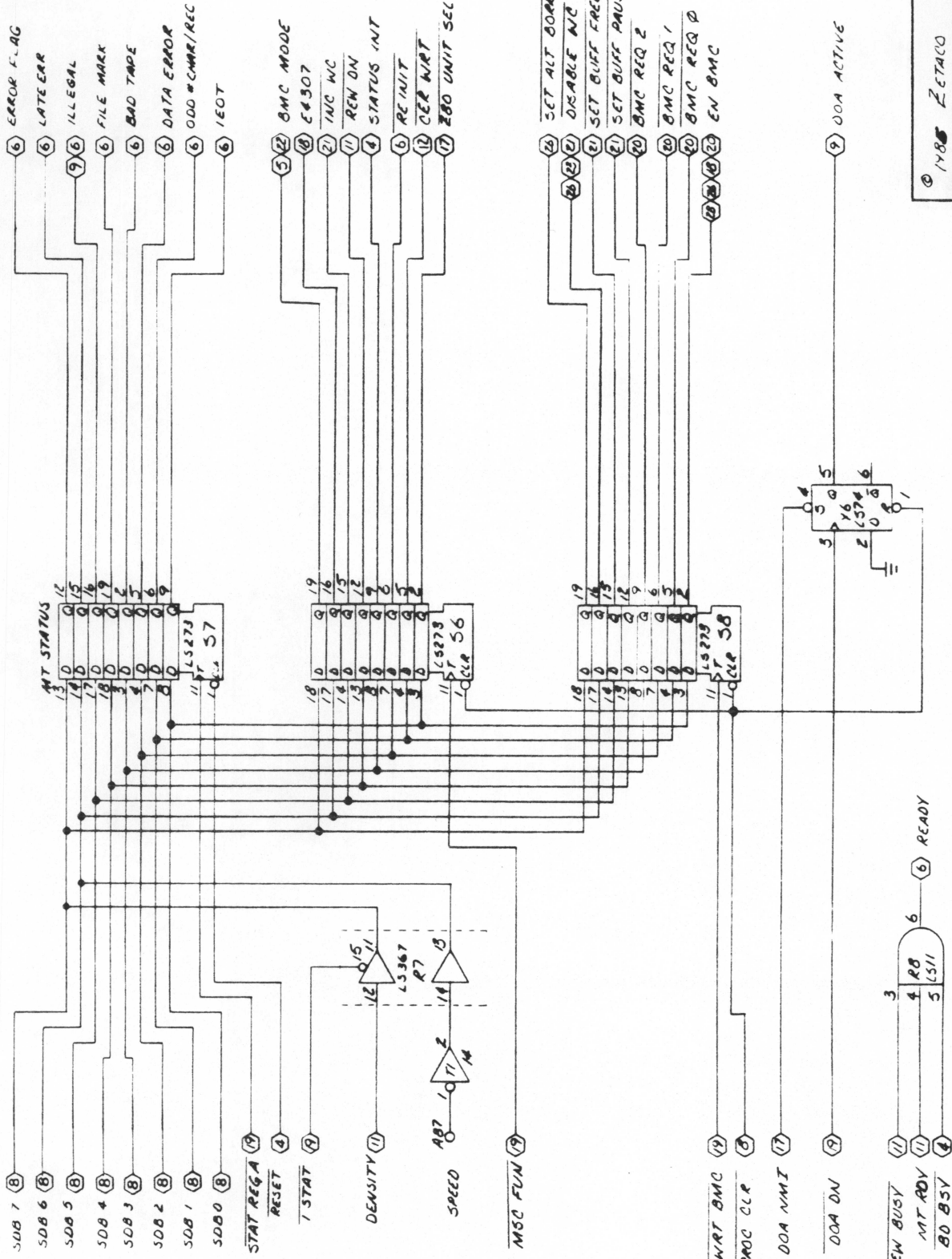
700387-000 A



1986 ZETACU	
DESIGNED BY	CJK
APPROVED BY	
DATE	
TITLE	EFC
FUNCTION/STATUS	REG
DRAWING NUMBER	700367-00 B

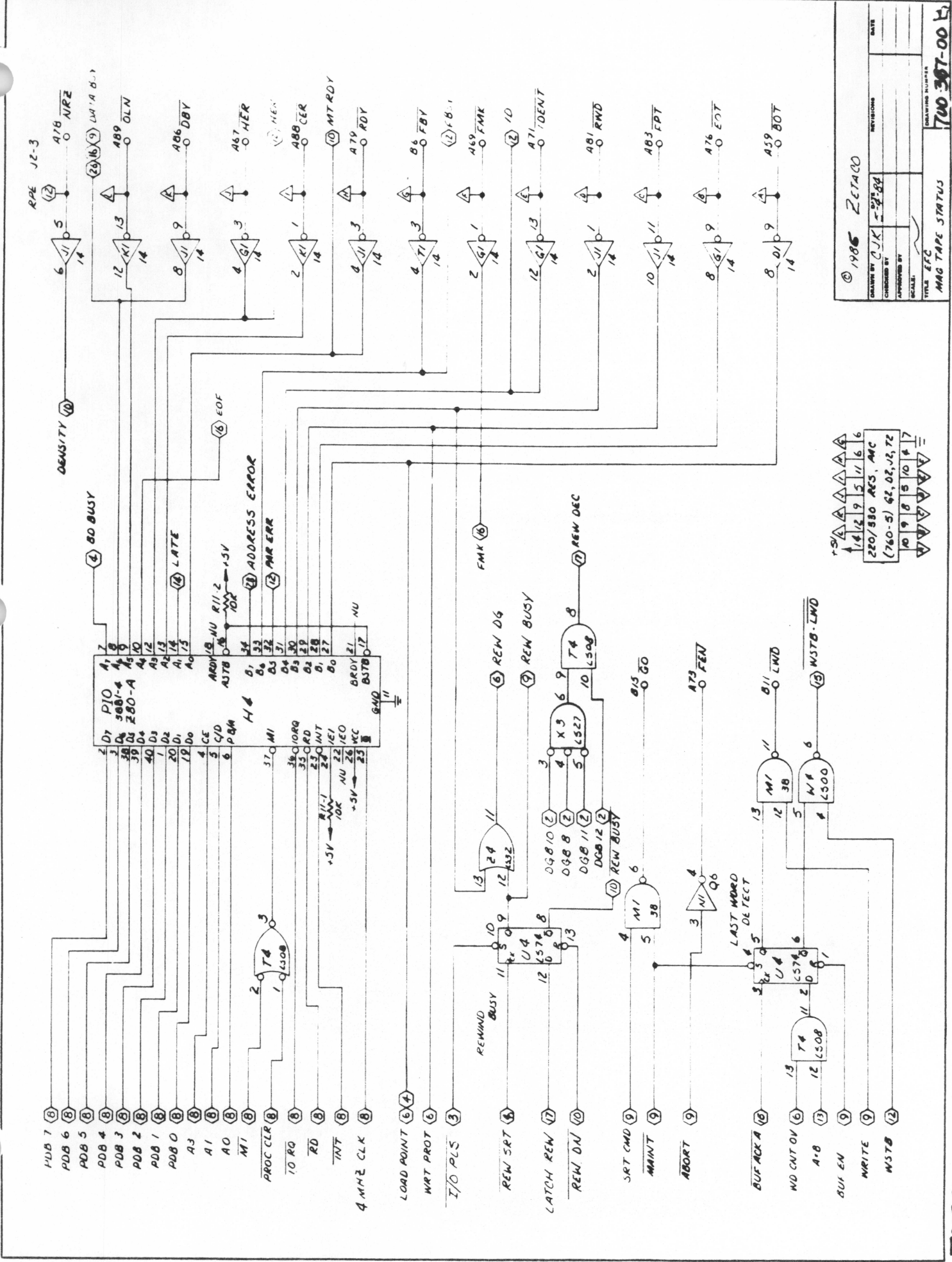
700367-000 A

(SHEET 9)



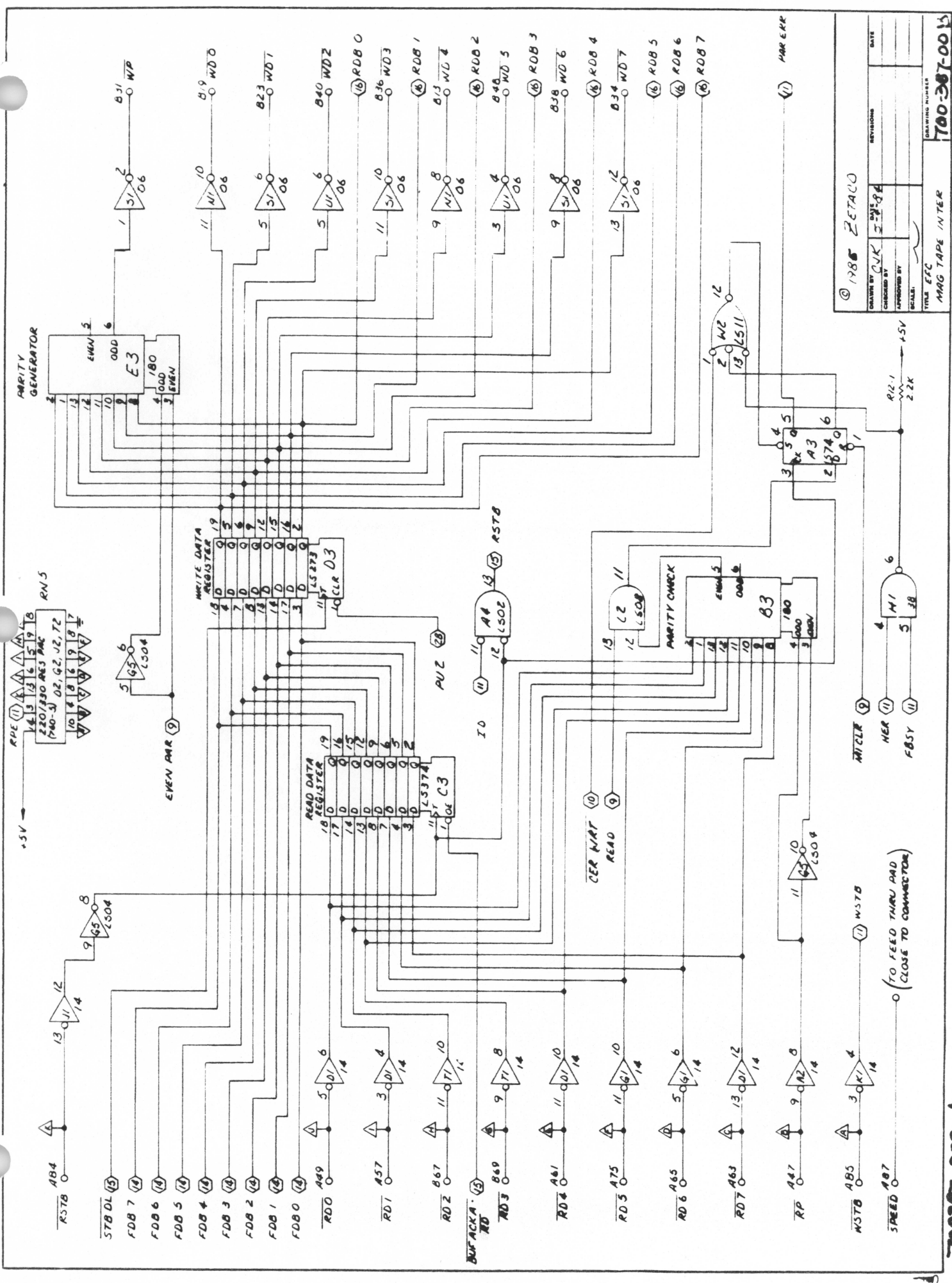
DATE	REVISIONS	DATE
1985	ZETACO	
DRAWN BY: CLK	CHECKED BY:	APPROVED BY:
SCALE:	TITLE: EFC	DRAWING NUMBER: 700-307-001
FUNC./STATUS REG (CONT.)		(SHEET 10)

700307-000 A



1	2	3	4	5	6	7	8	9	10	11	12	13	14	15	16	17
1	2	3	4	5	6	7	8	9	10	11	12	13	14	15	16	17

© 1985 ZETACO
 DRAWN BY CJK 5-2-84
 CHECKED BY
 APPROVED BY
 SCALE:
 TITLE: EFC
 MAG TAPE STATUS
 DRAWING NUMBER: 700387-00
 DATE:

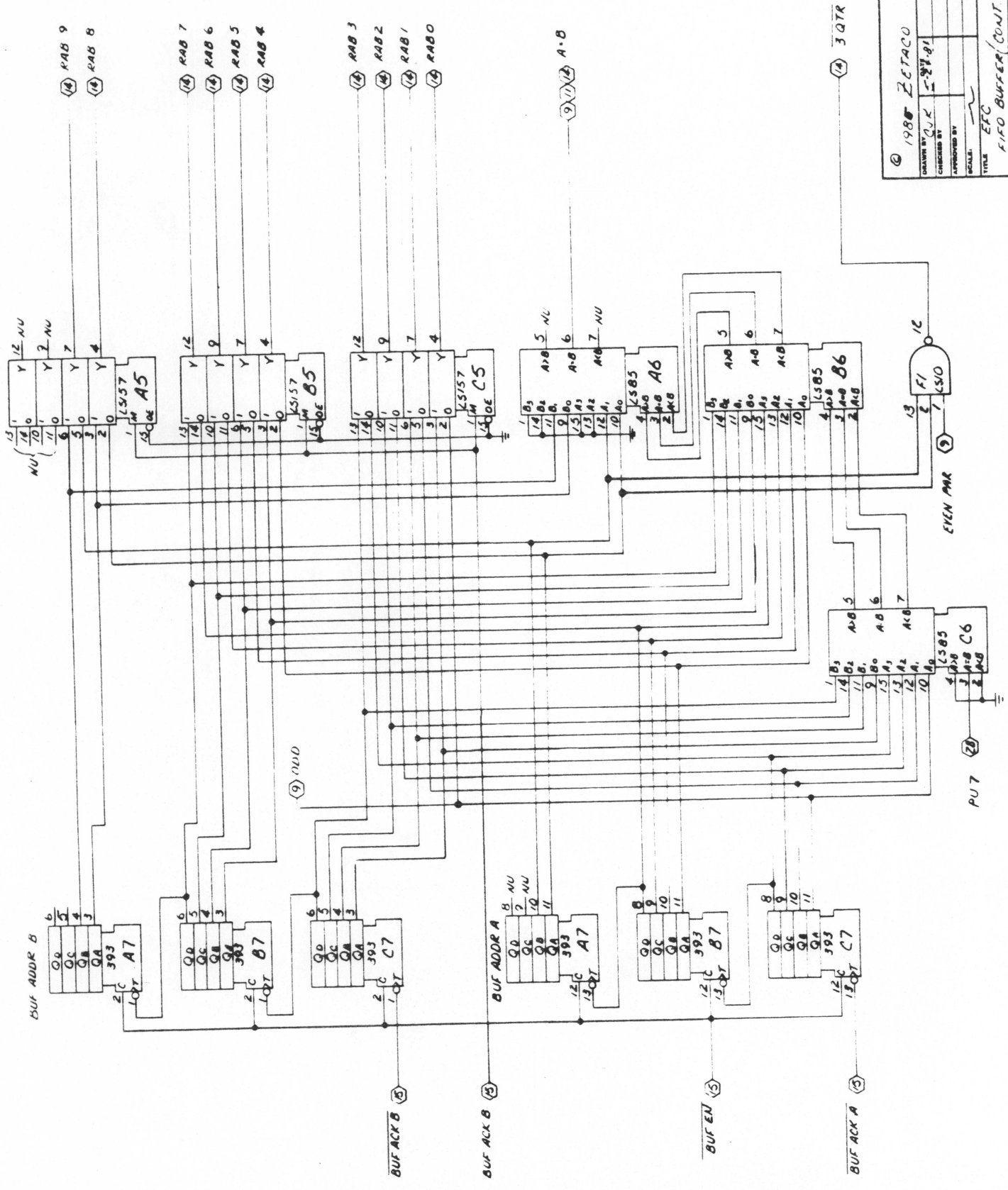


DRAWING NUMBER 700-387-001A	
DATE 5-8-84	REVISIONS
DRAWN BY CLK	CHECKED BY
APPROVED BY	SCALE
TITLE EPC ZETACO	
MAG TAPE INTER	

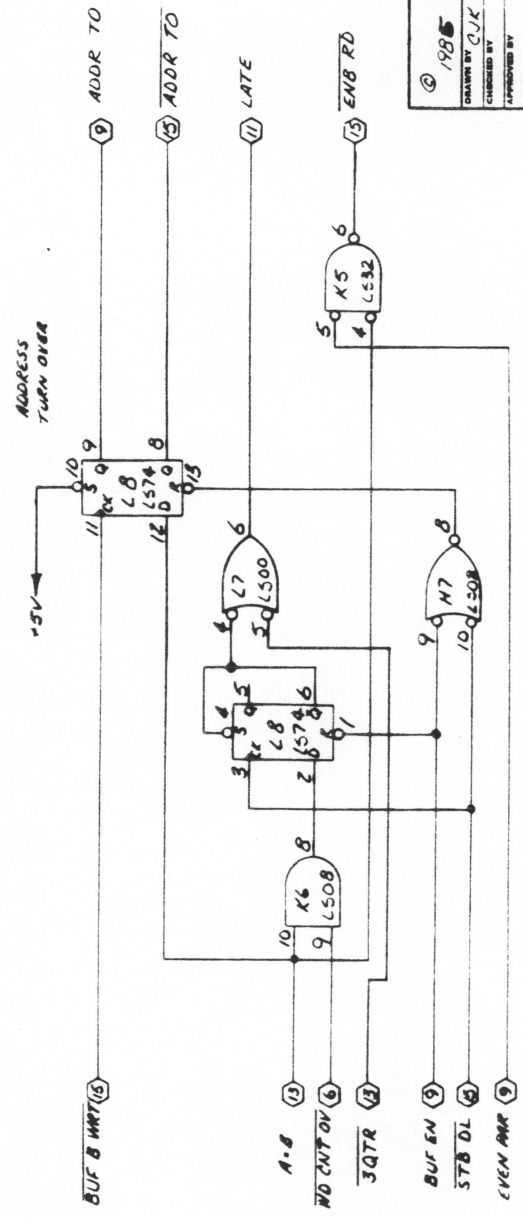
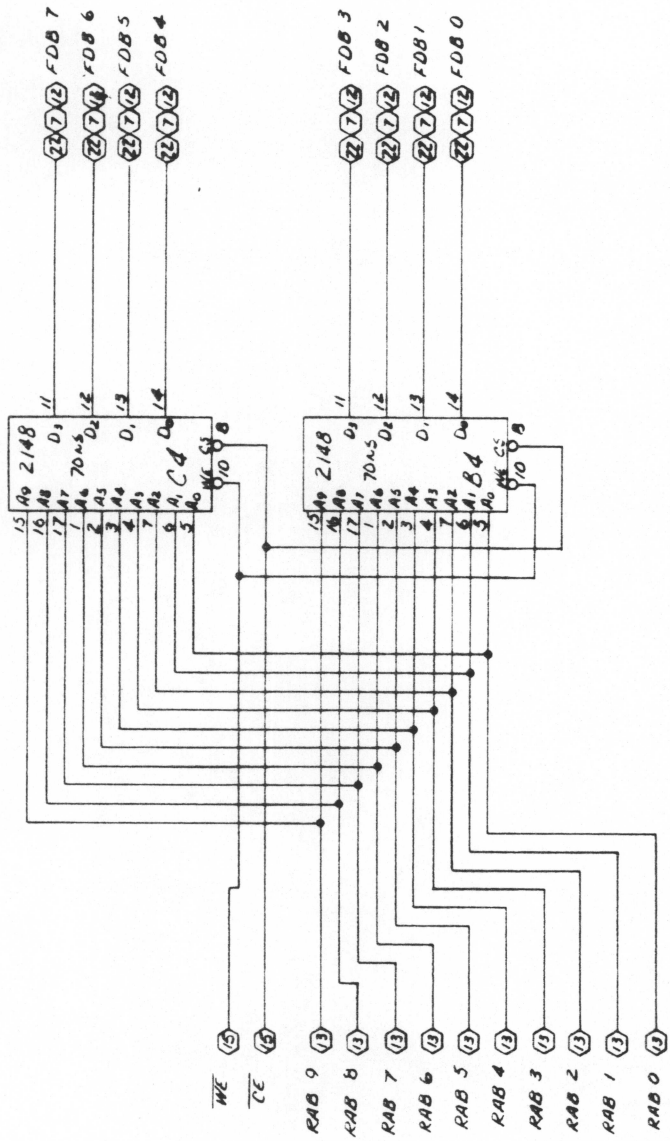
(SHEET 12)

700387-000 A

(TO FEED THRU PAD
CLOSE TO CONNECTOR)



DATE	1988 ZETACO
REVISIONS	
DRAWN BY	QUK
CHECKED BY	
APPROVED BY	
SCALE	
TITLE	FIFO BUFFER (CONT.)
DRAWING NUMBER	700 387-000



1985 ZETACIO

DRAWN BY CJK 5-8-85 DATE

CHECKED BY

APPROVED BY

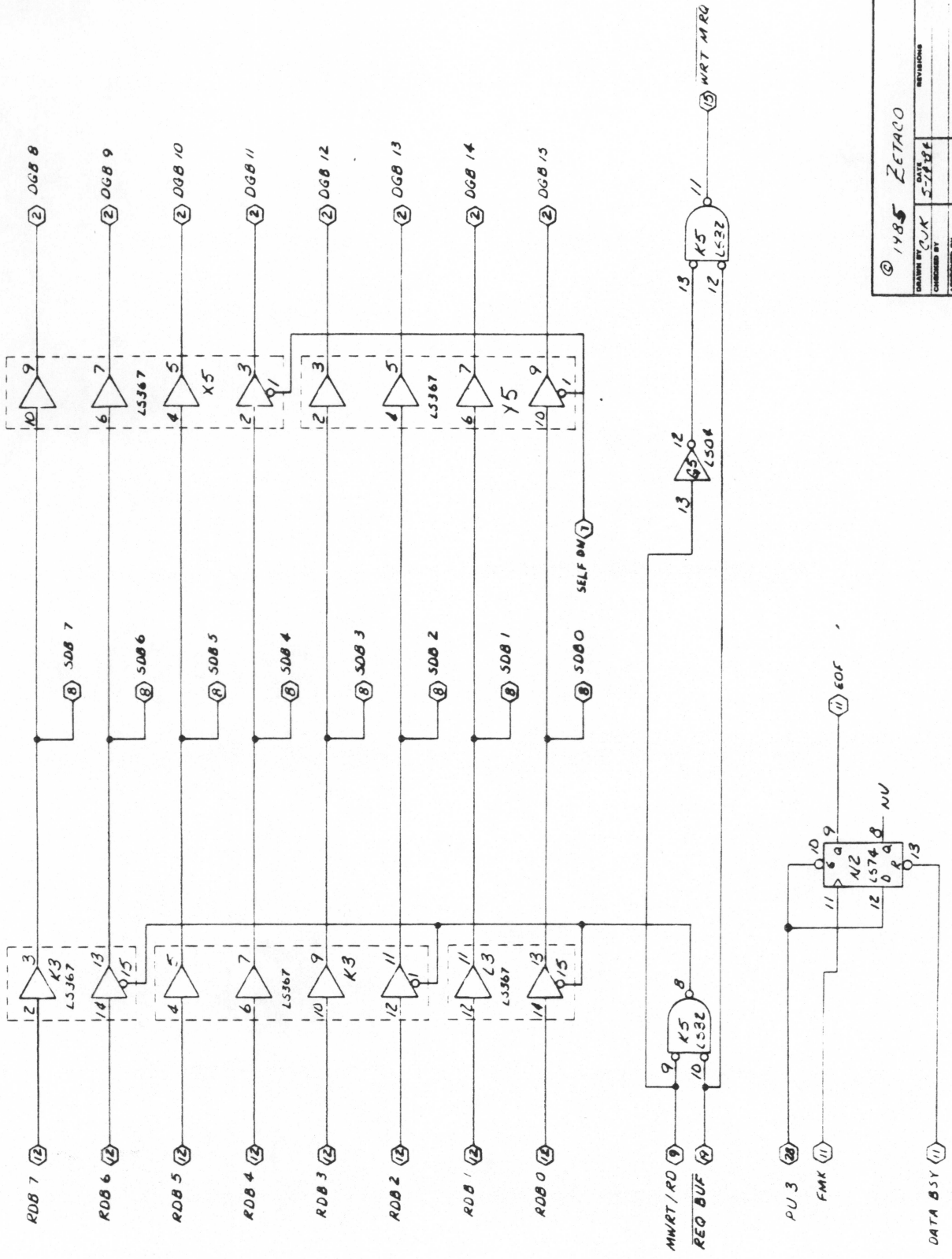
SCALE:

TITLE EFC

DRAWING NUMBER 700-387-00B

FIFO BUFFER (CONT)

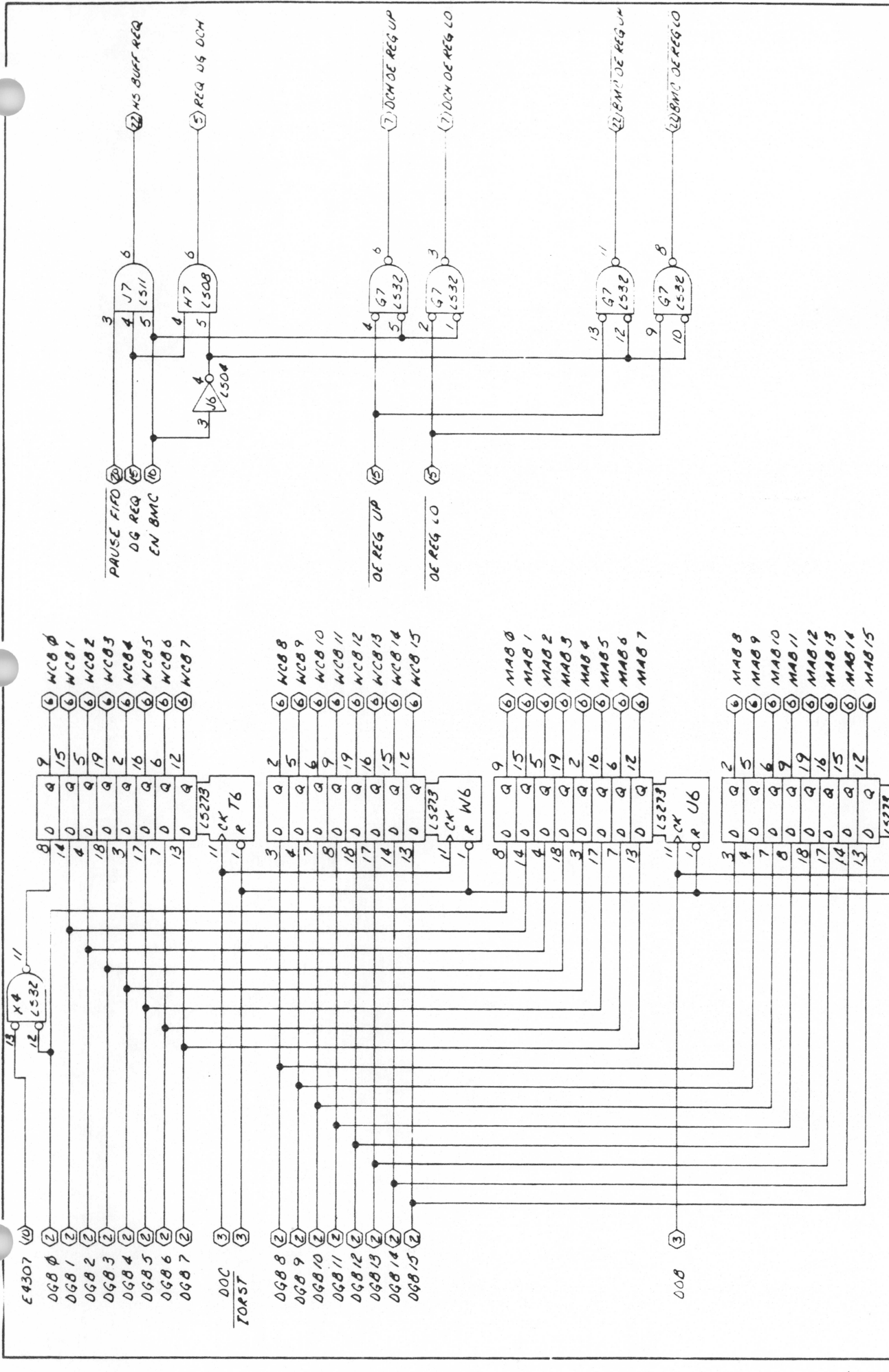
(SHEET 14)



© 1985 ZETACO		REVISIONS	DATE
DRAWN BY	CHK	5-28-85	
CHECKED BY			
APPROVED BY			
SCALE			
TITLE		EPC BUFFER MAINT	
DRAWING NUMBER		700-387-0013	

(SHEET NO. 1)

700387-000 A

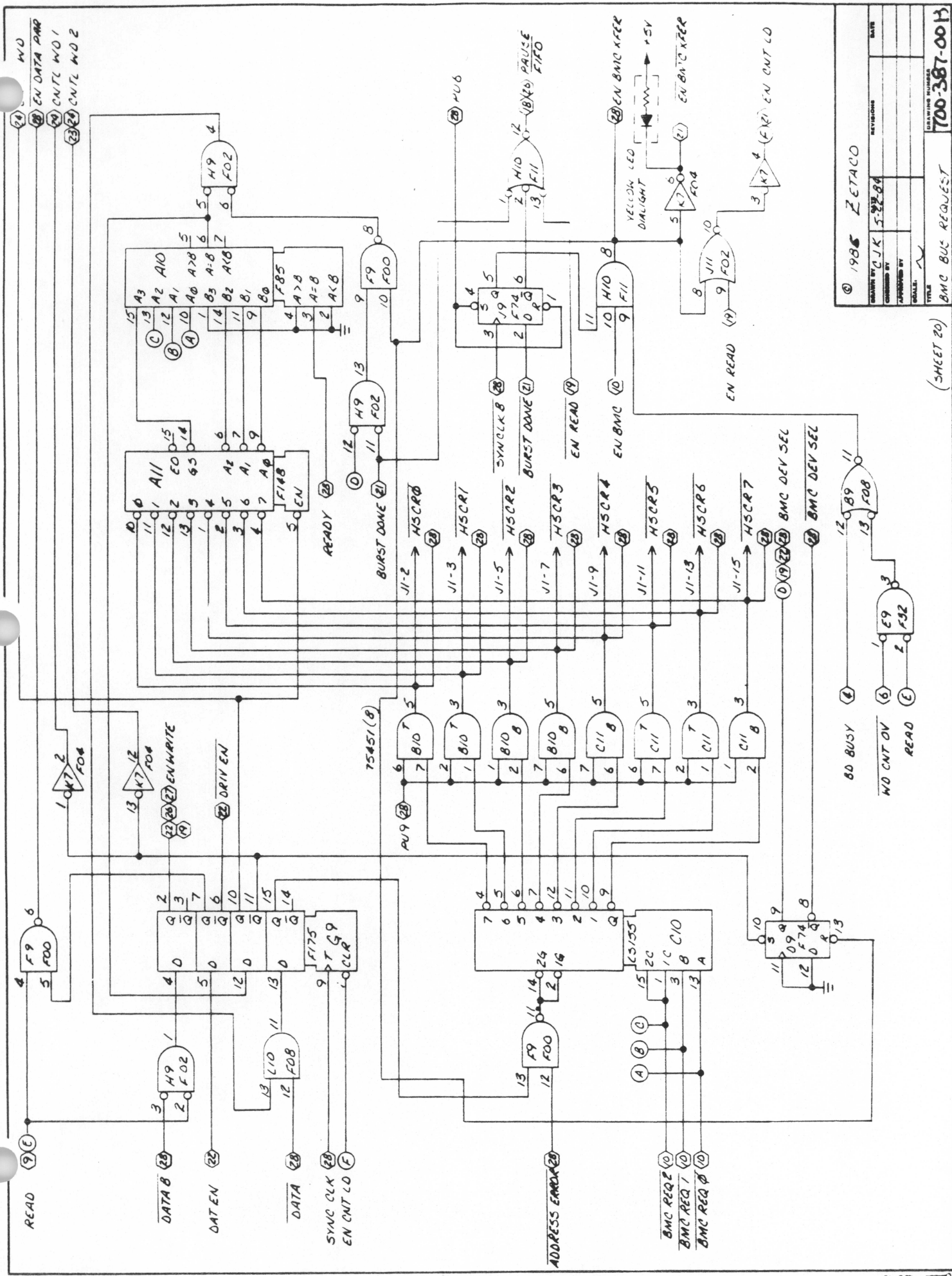


© 1985 ZETACO

DRAWN BY: KAWSETHY
 DATE: 8-7-88
 CHECKED BY:
 APPROVED BY:
 SCALE:
 TITLE: DATA CONTROL - REW/IT
 DRAWING NUMBER: 700-387-00

(SHEET 18)

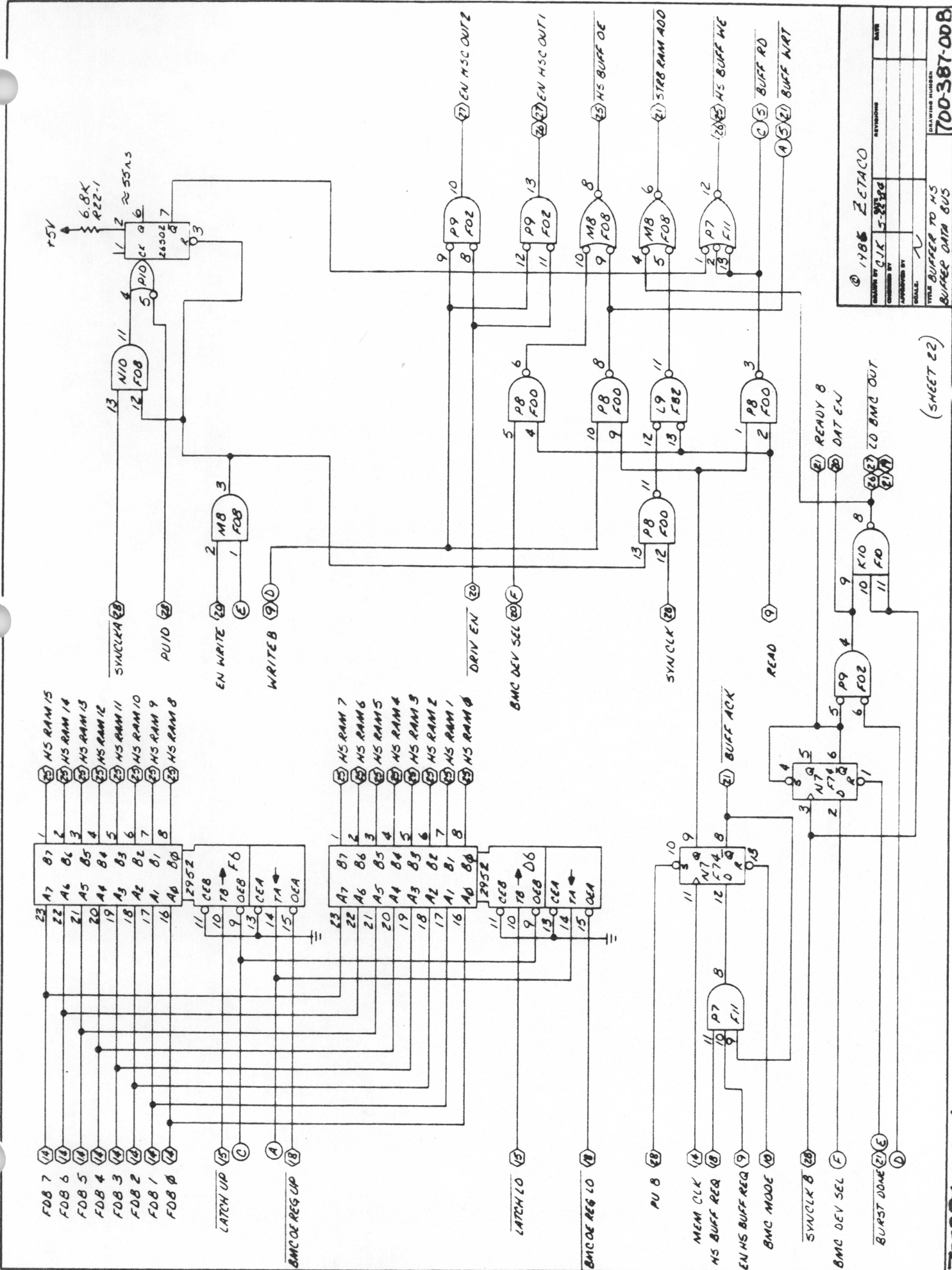
700387-000 A



REVISIONS		DATE
DESIGNED BY	5-22-84	
CHECKED BY		
APPROVED BY		
DRAWN BY		
TITLE	BMC BUS REQUEST	
PROJECT NUMBER	700-387-00H	

(SHEET 20)

700387-000 A



© 1986 ZETACO

DESIGNED BY: GJK 5-22-86

DESIGNED BY: [Signature]

SCALE: [Blank]

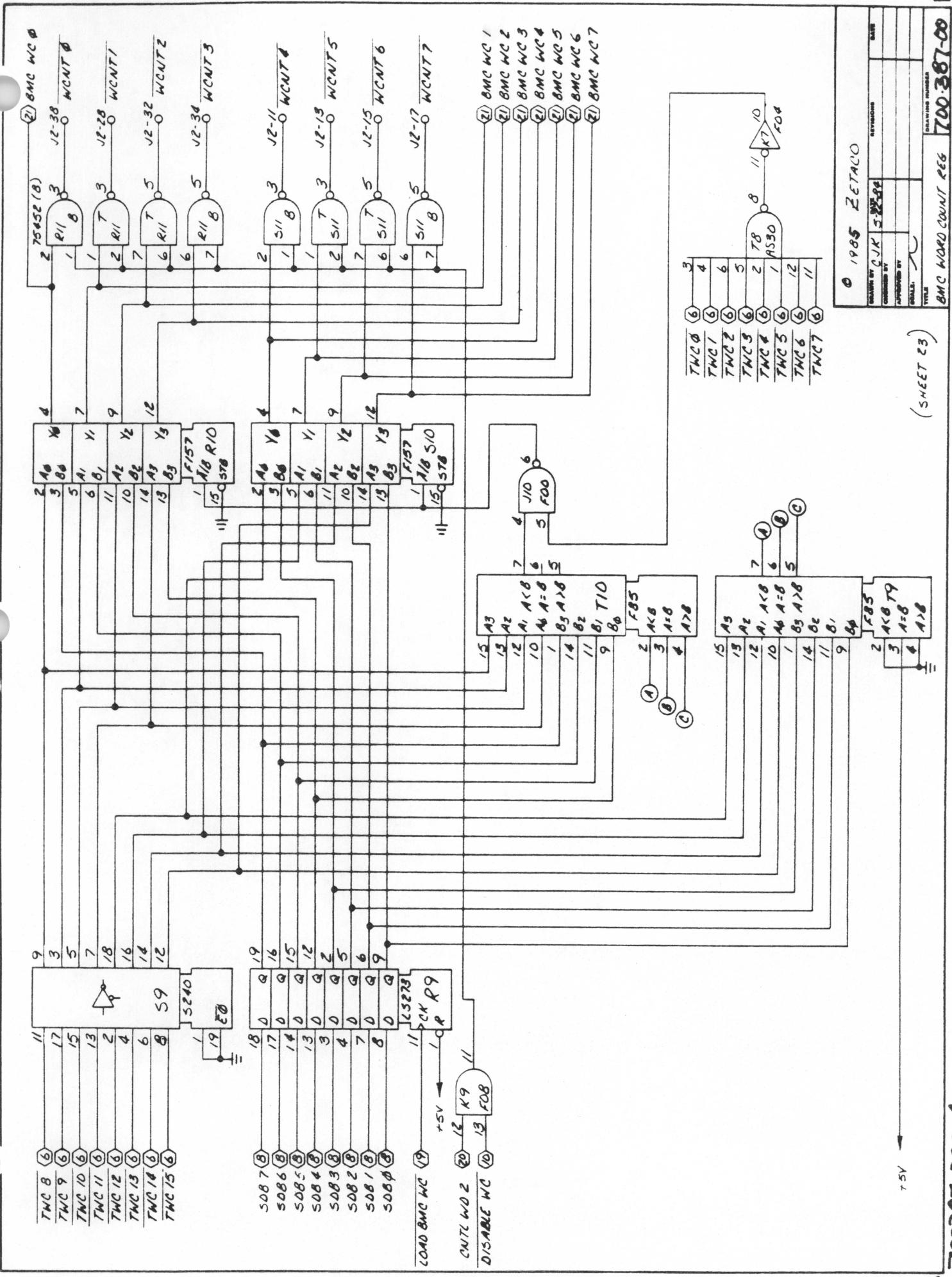
REVISIONS: [Blank]

DATE: [Blank]

DRAWING NUMBER: 700-387-00B

(SHEET 22)

700387-000 A



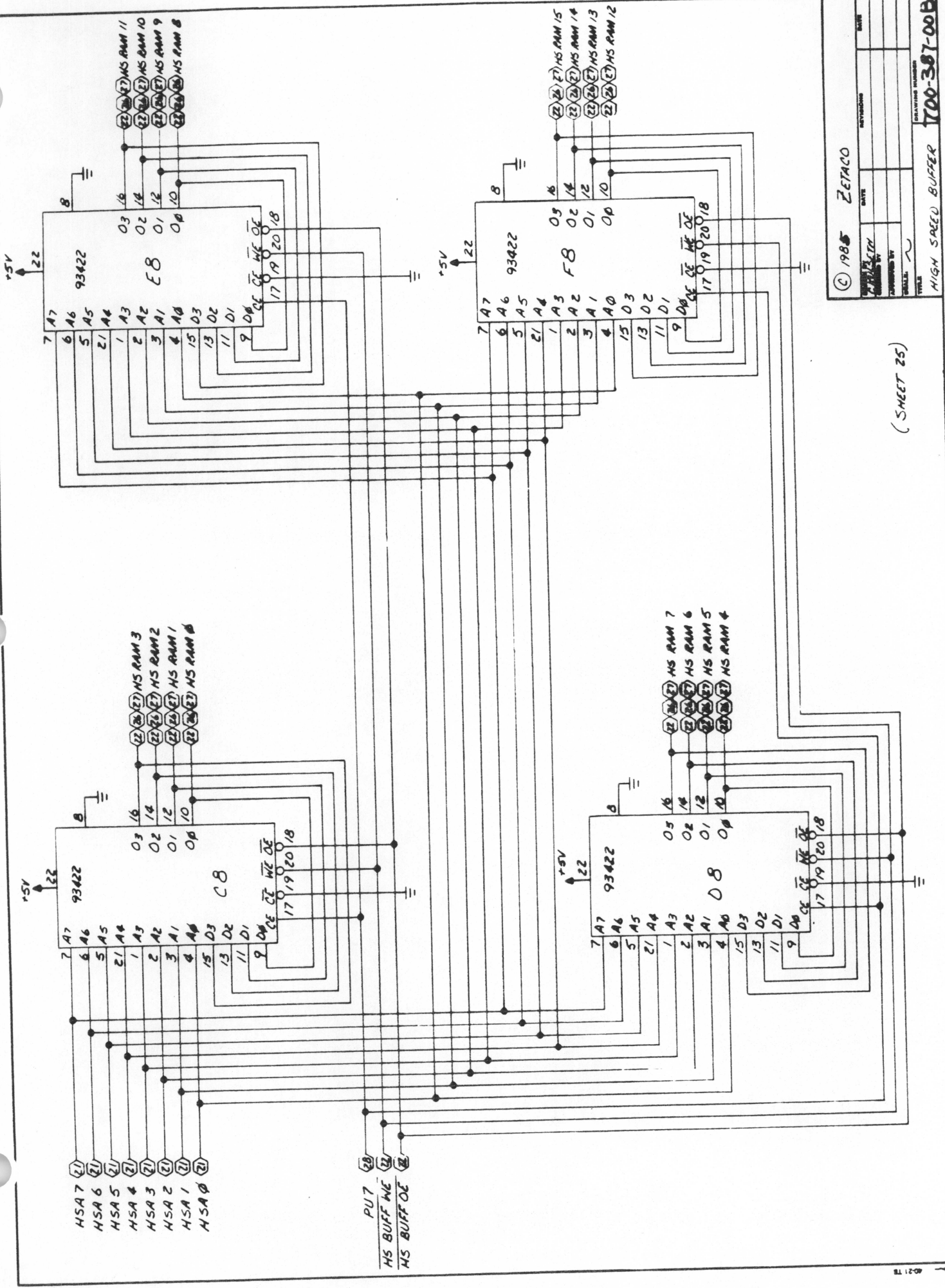
1985 ZETACO

DESIGNED BY: CJK
 CHECKED BY: SPS
 APPROVED BY: [Signature]
 DATE: [Blank]
 TITLE: [Blank]

700-367-00

(SHEET 23)

700387-000 A



© 1985 ZETACO

DATE: _____

REVISION: _____

DESIGNED BY: _____

CHECKED BY: _____

DRAWN BY: _____

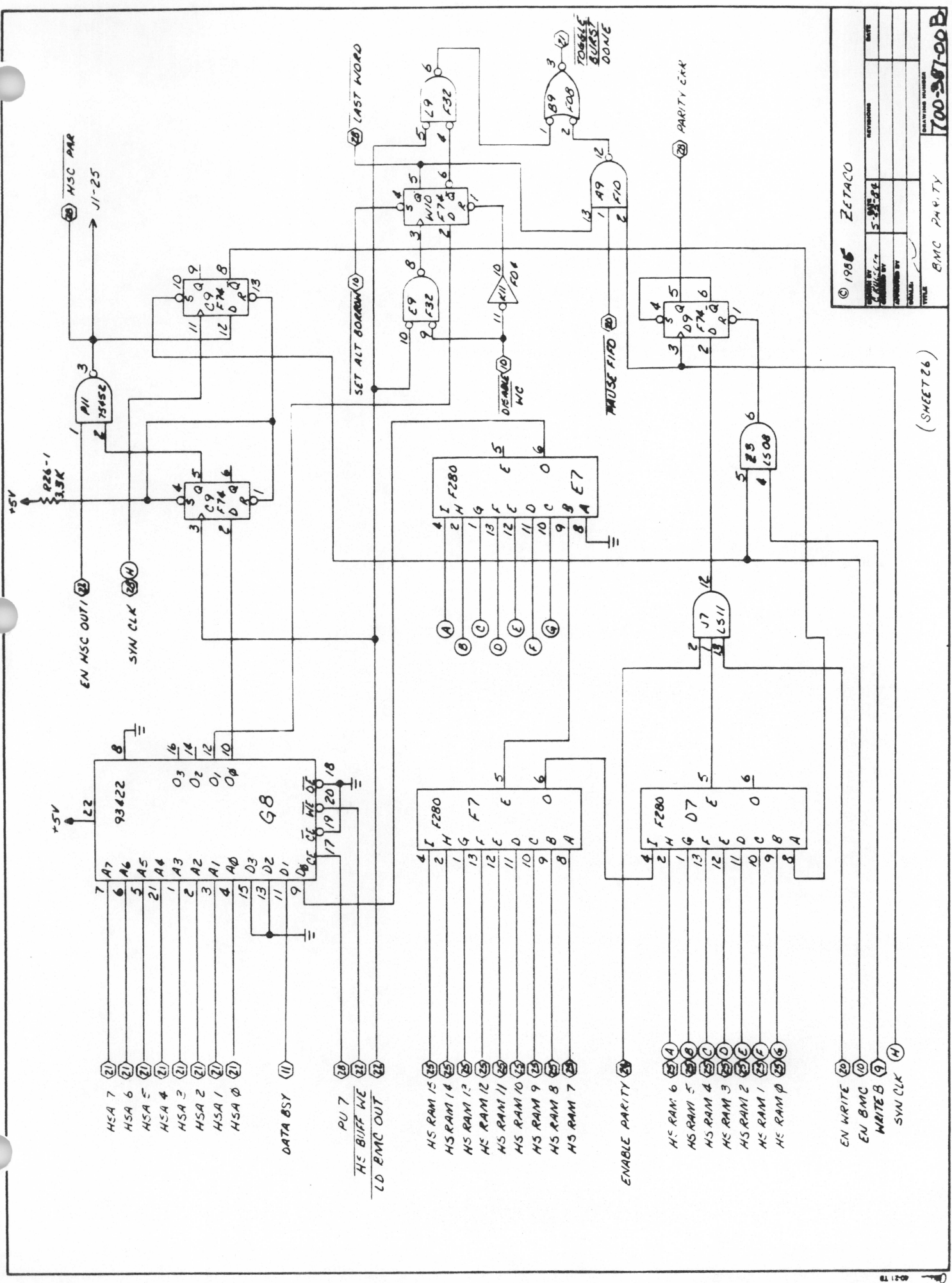
DATE: _____

700-387-00B

700-387-000A

(SHEET 25)

700387-000 A

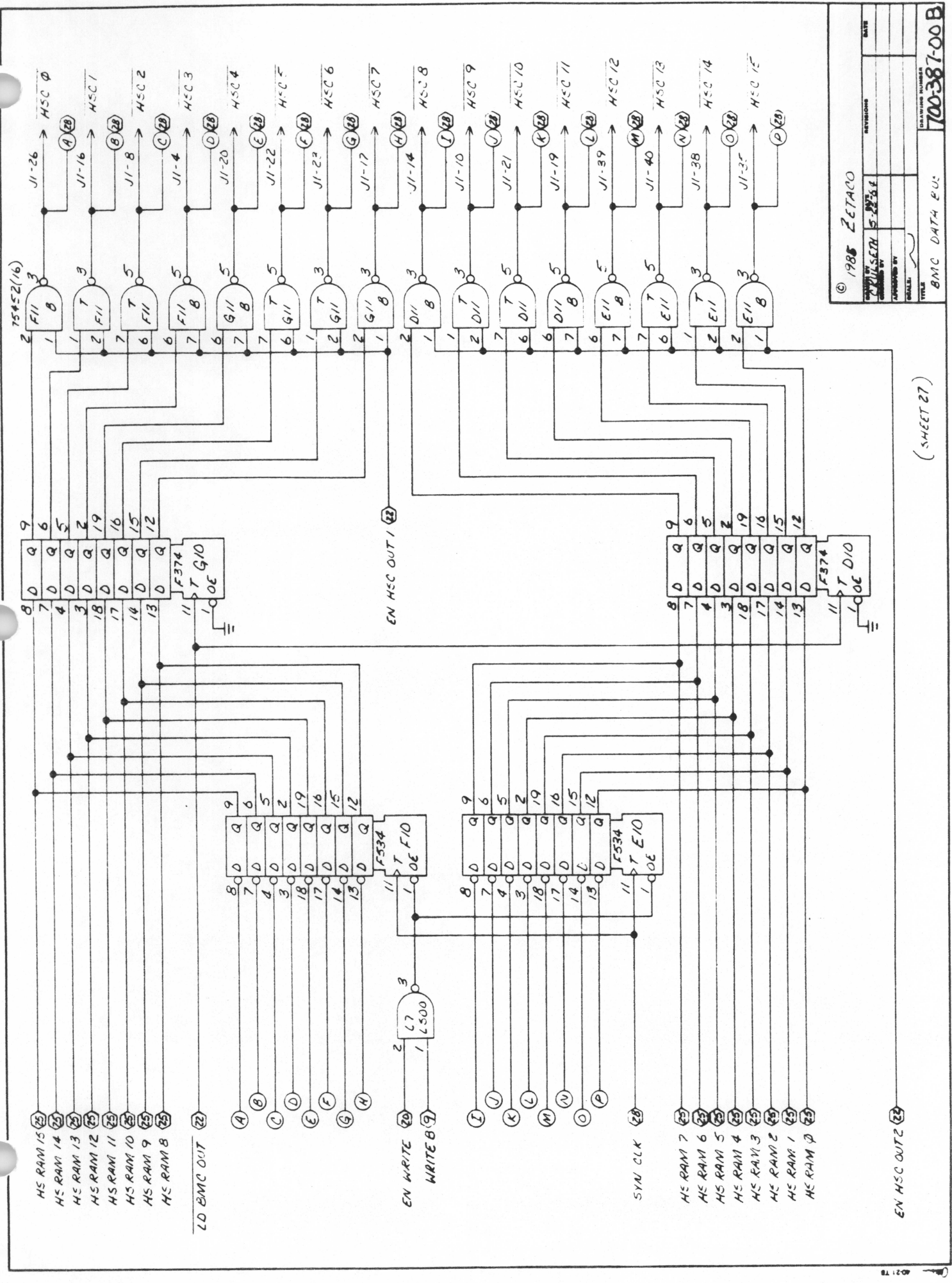


© 1986 ZETACO

DESIGNED BY	REVISED	DATE
5-28-86		
DESIGNED BY		
SCALE		
TITLE	BMC PARITY	DRAWING NUMBER
		700-387-00 B

(SHEET 26)

700387-000 A



© 1985 ZETACO

DESIGNED BY: WILSON S. ...

APPROVED BY: ...

DATE: ...

REVISIONS: ...

DRAWING NUMBER: 700387-00 B

TITLE: BMC DATA P.C.

(SHEET 27)

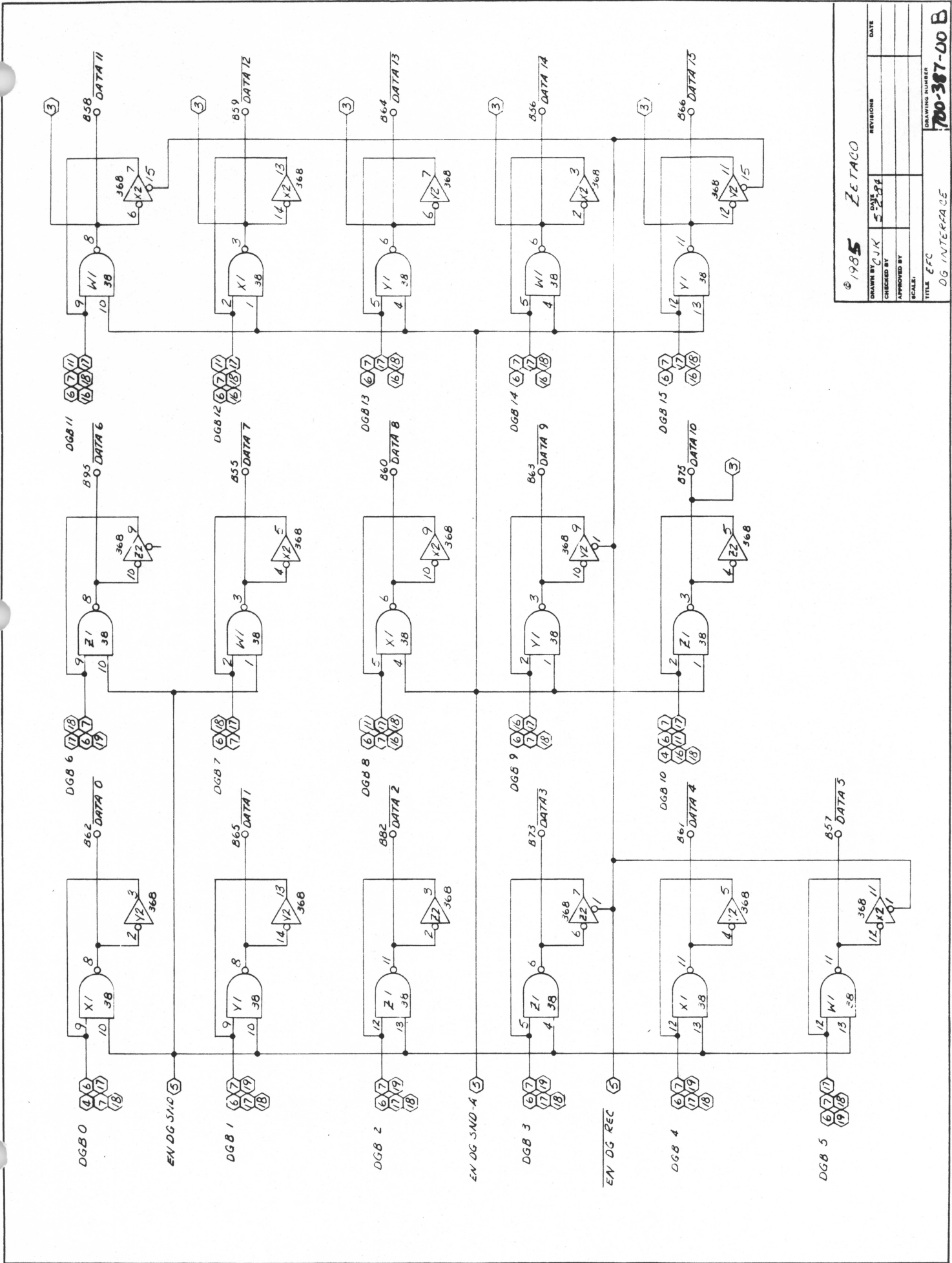
ECO	DATE	REVISION	DESCRIPTION
0504	10-85	PER	ECO

BMX - 2

1 of 28

1985 ZETACO

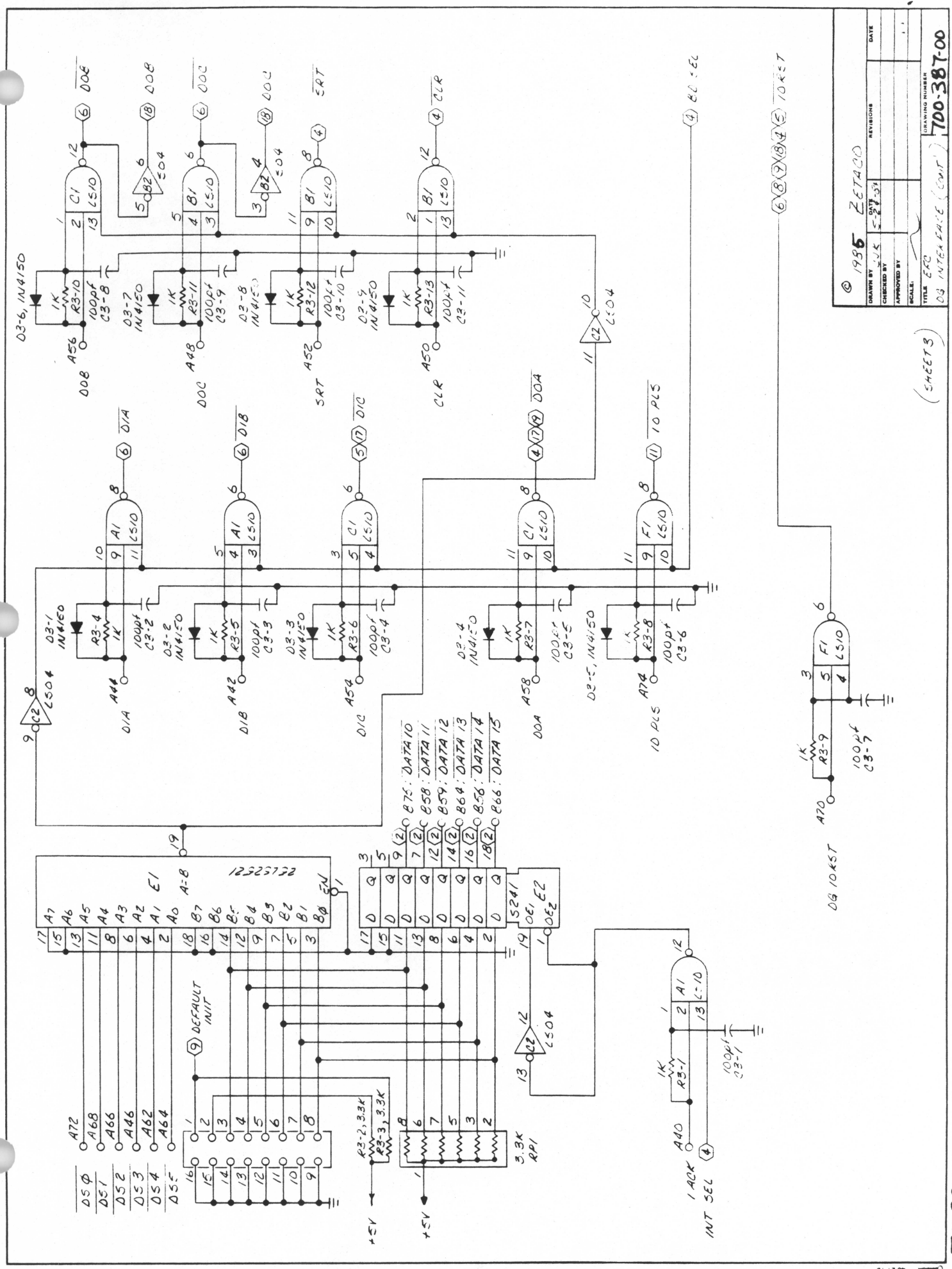
DESIGNED BY	CJK	DATE	8-28-84
CHECKED BY			
APPROVED BY			
TITLE	BMX - 2		

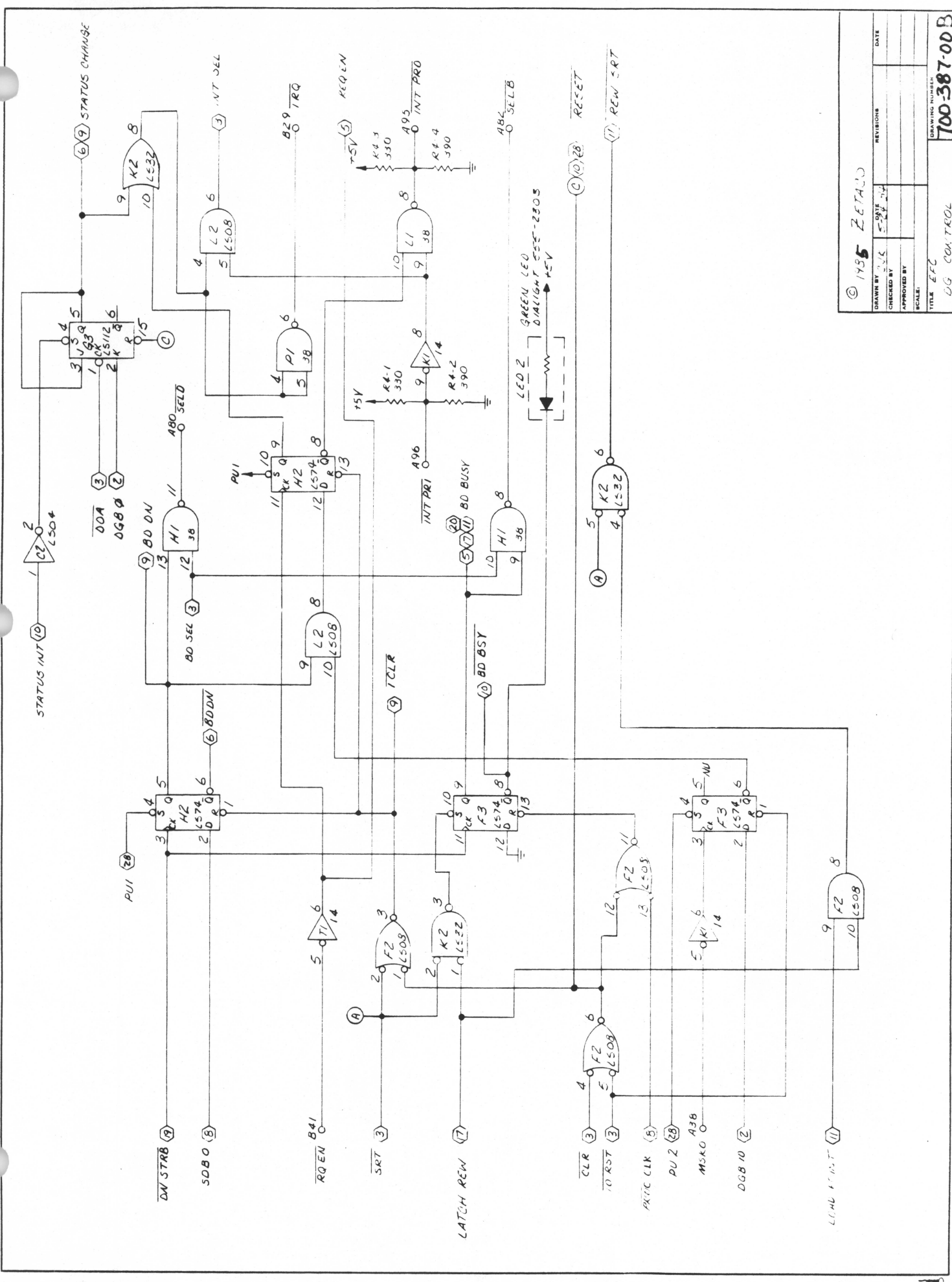


© 1985 ZETACO		DATE	REVISIONS	DATE
DRAWN BY	CJK	5-2-82		
CHECKED BY				
APPROVED BY				
SCALE:				
TITLE	EFC		DRAWING NUMBER	700-387-00 B
	DG INTERFACE			

(SHEET 2)

700387-000 A

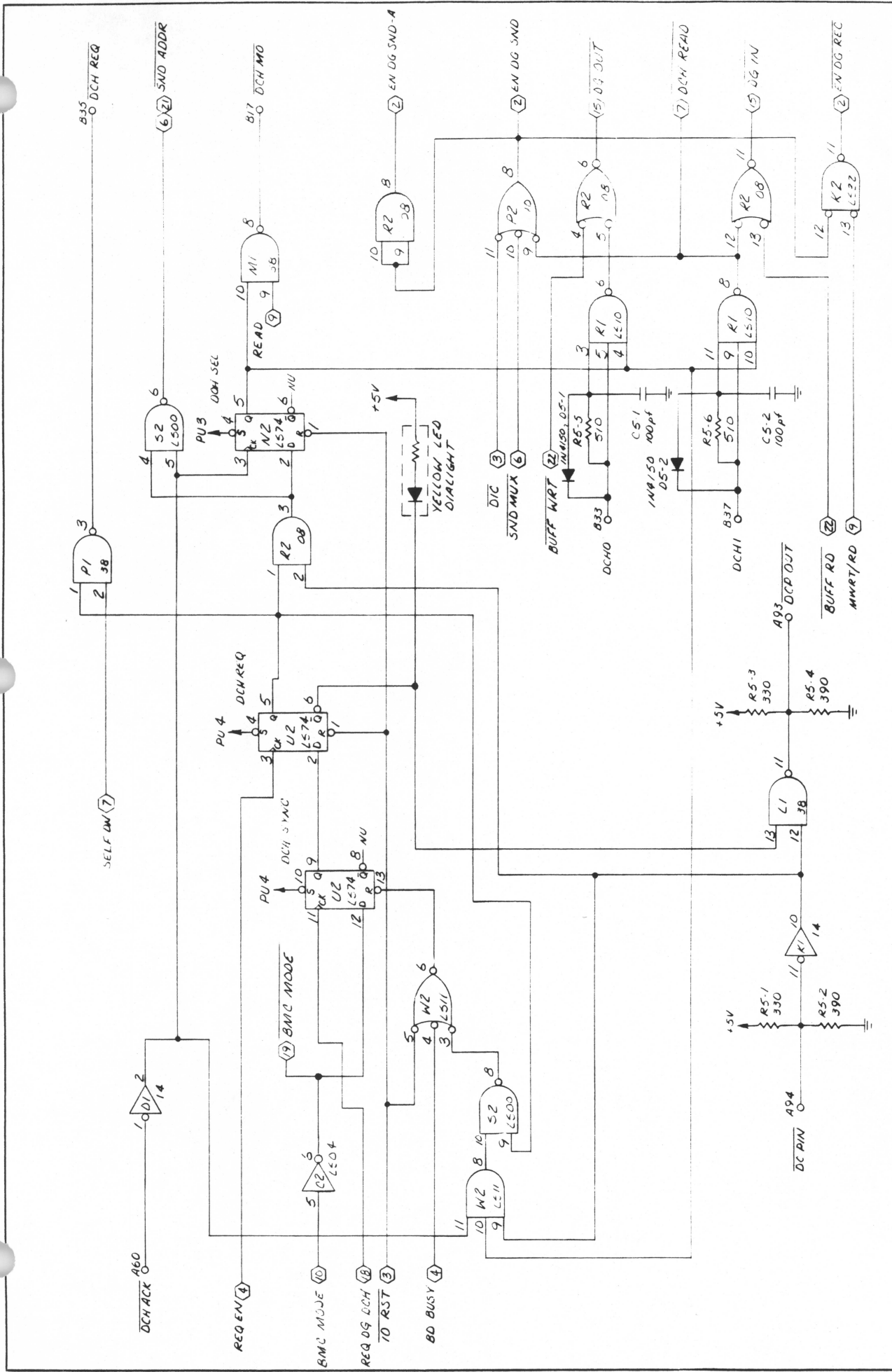




© 1985 ZETALD		REVISIONS	DATE
DRAWN BY	CHK	DATE	
CHECKED BY			
APPROVED BY			
SCALE			
TITLE	EFFC	DRAWING NUMBER	700-387-00B
	UG CONTROL		

700387-000 A

(SHEET 4)



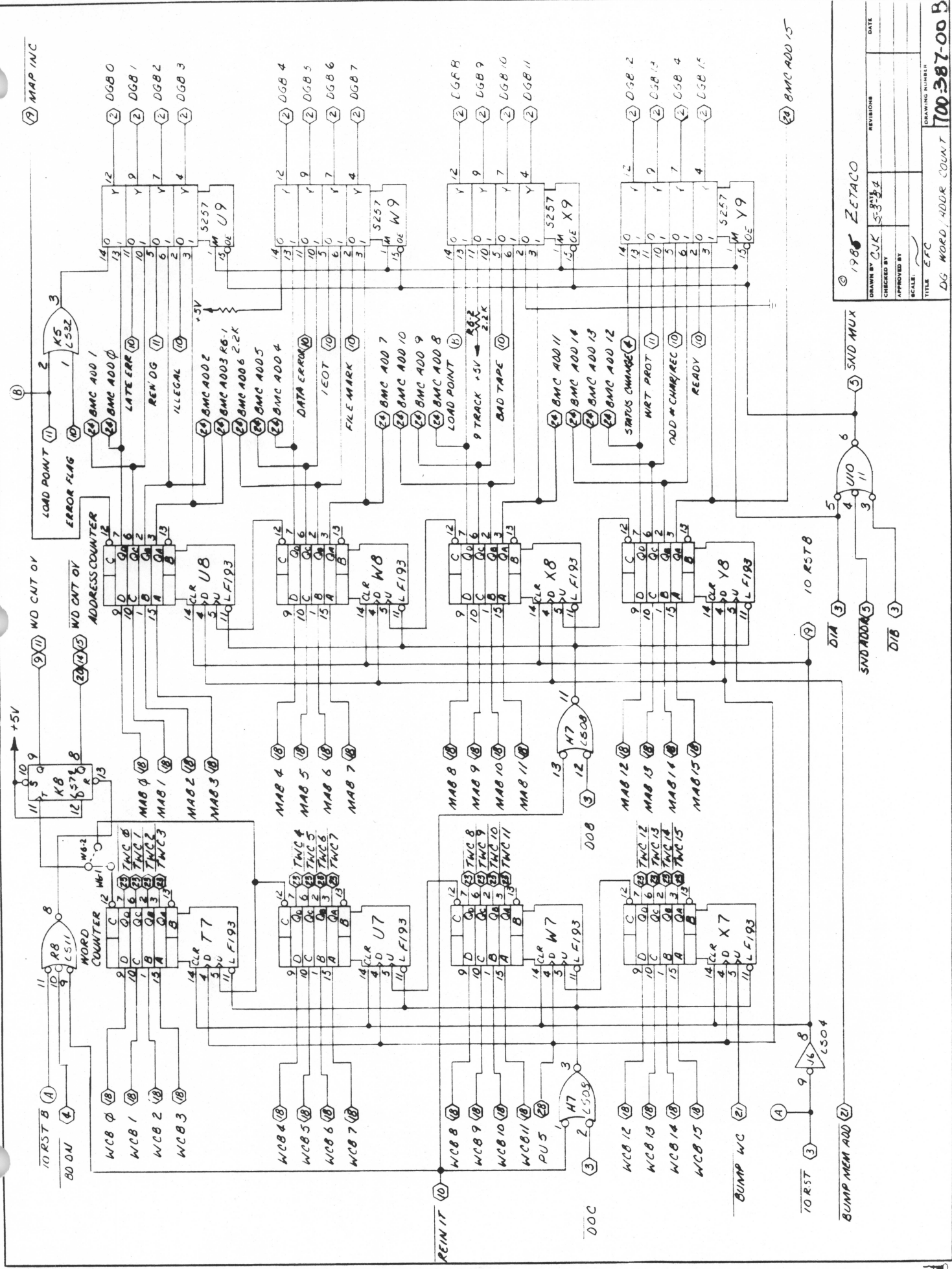
© 1985 ZETAO

REVISIONS	DATE

DRAWN BY: J.K.
 CHECKED BY: J.K.
 APPROVED BY: J.K.
 SCALE:

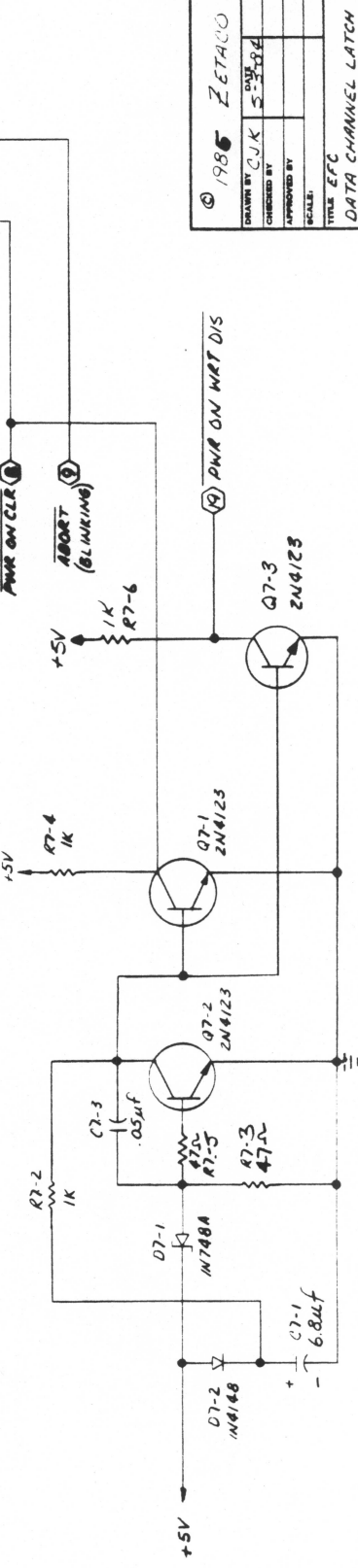
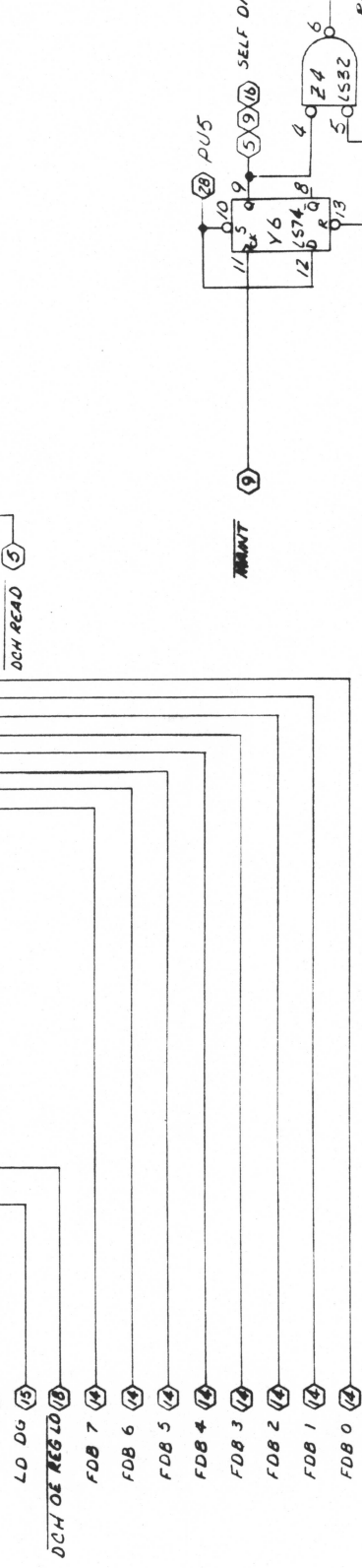
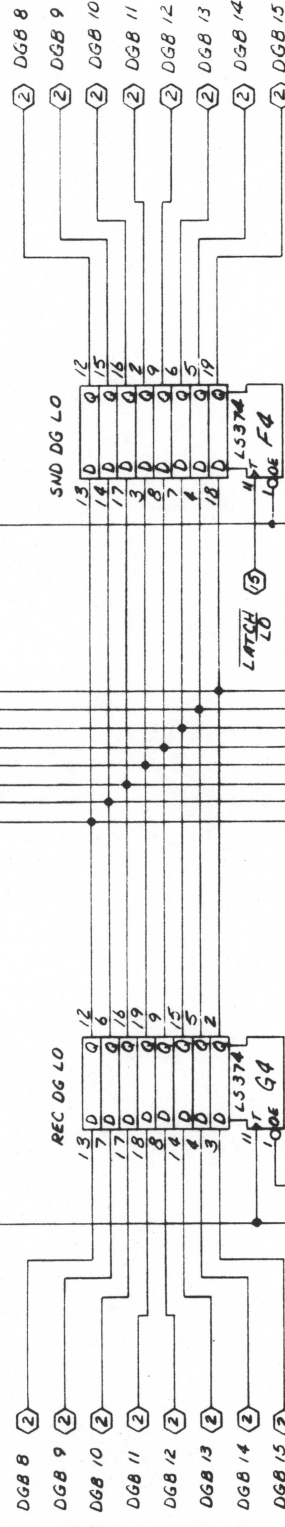
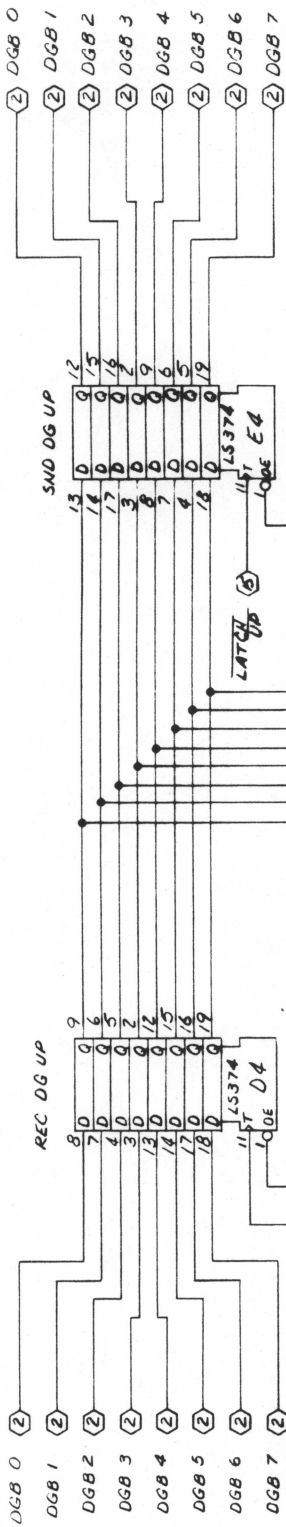
TITLE: EIC
 DRAWING NUMBER: 700-387-00
 LOG CONTROL - CONT. (SHEET 5)

700387-000 A

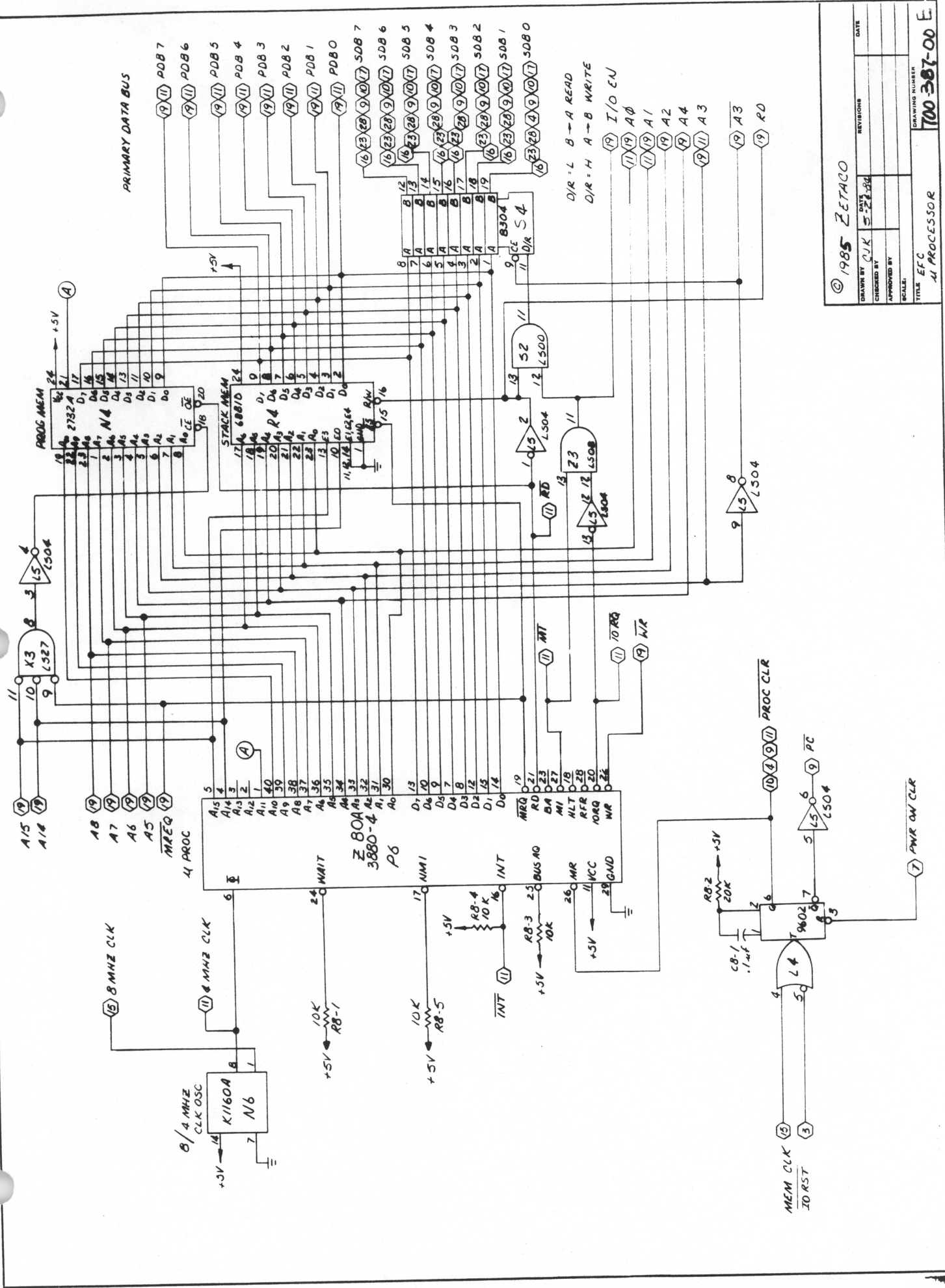


1988 ZETACO
 DRAWN BY: CLK 5-3-84
 CHECKED BY:
 APPROVED BY:
 SCALE:
 TITLE: EFC
 DATE:
 REVISIONS:
 DRAWING NUMBER: 700387-00 B
 DG WORD, ADDR COUNT (SHEET 6)

700387-000 A



© 1986 ZETACO		REVISIONS	DATE
DRAWN BY CJK	DATE 5-2-84		
CHECKED BY			
APPROVED BY			
SCALE			
TITLE EFC		DRAWING NUMBER 700-387-001	
DATA CHANNEL LATCH			



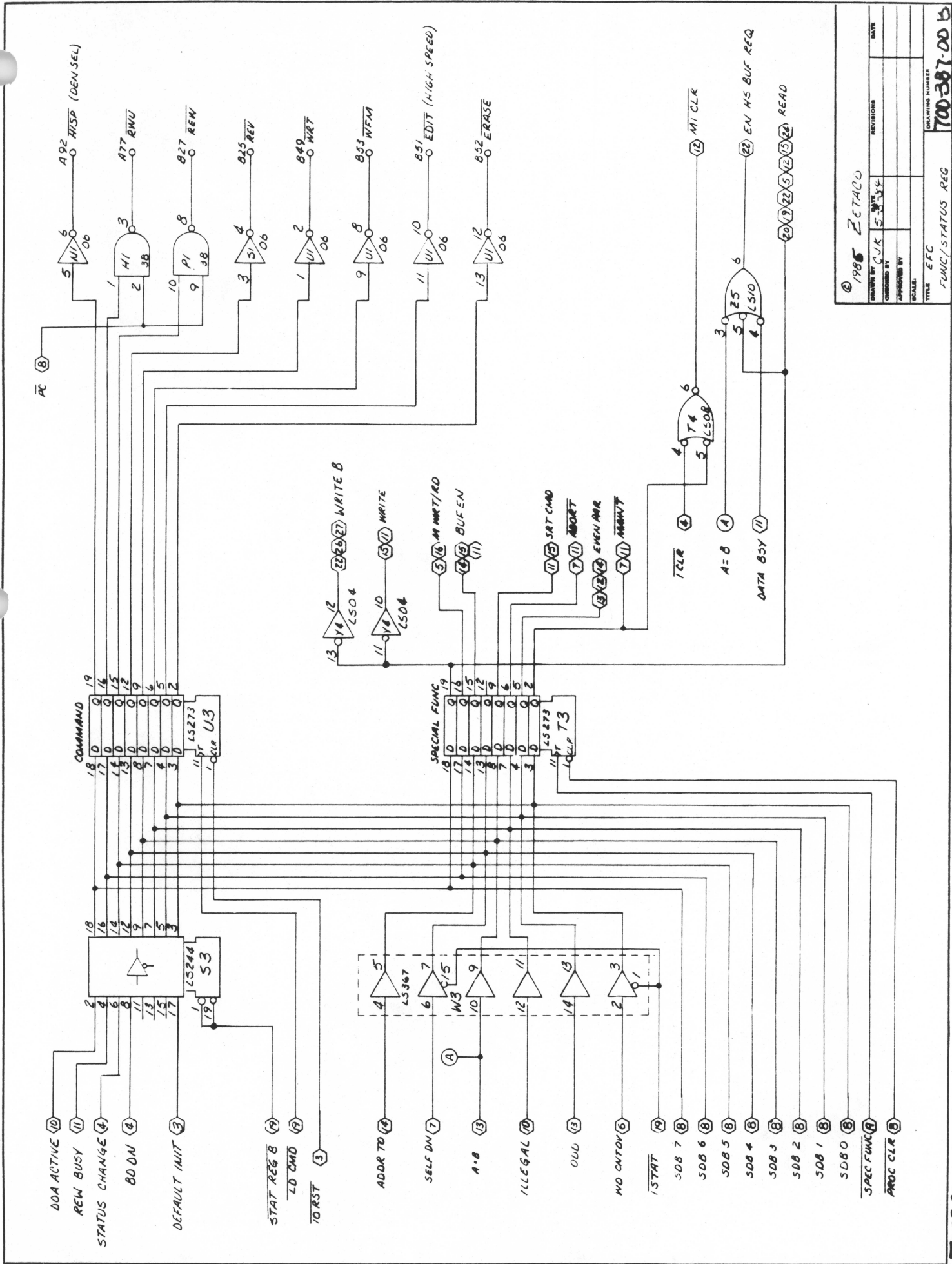
PRIMARY DATA BUS

D/R = L B → A READ
 D/R = H A → B WRITE

© 1985 ZETACO		DATE
DRAWN BY CLK	DATE 2-2-86	REVISIONS
CHECKED BY		
APPROVED BY		
SCALE:		
TITLE EFC AI PROCESSOR	DRAWING NUMBER 700387-00	E

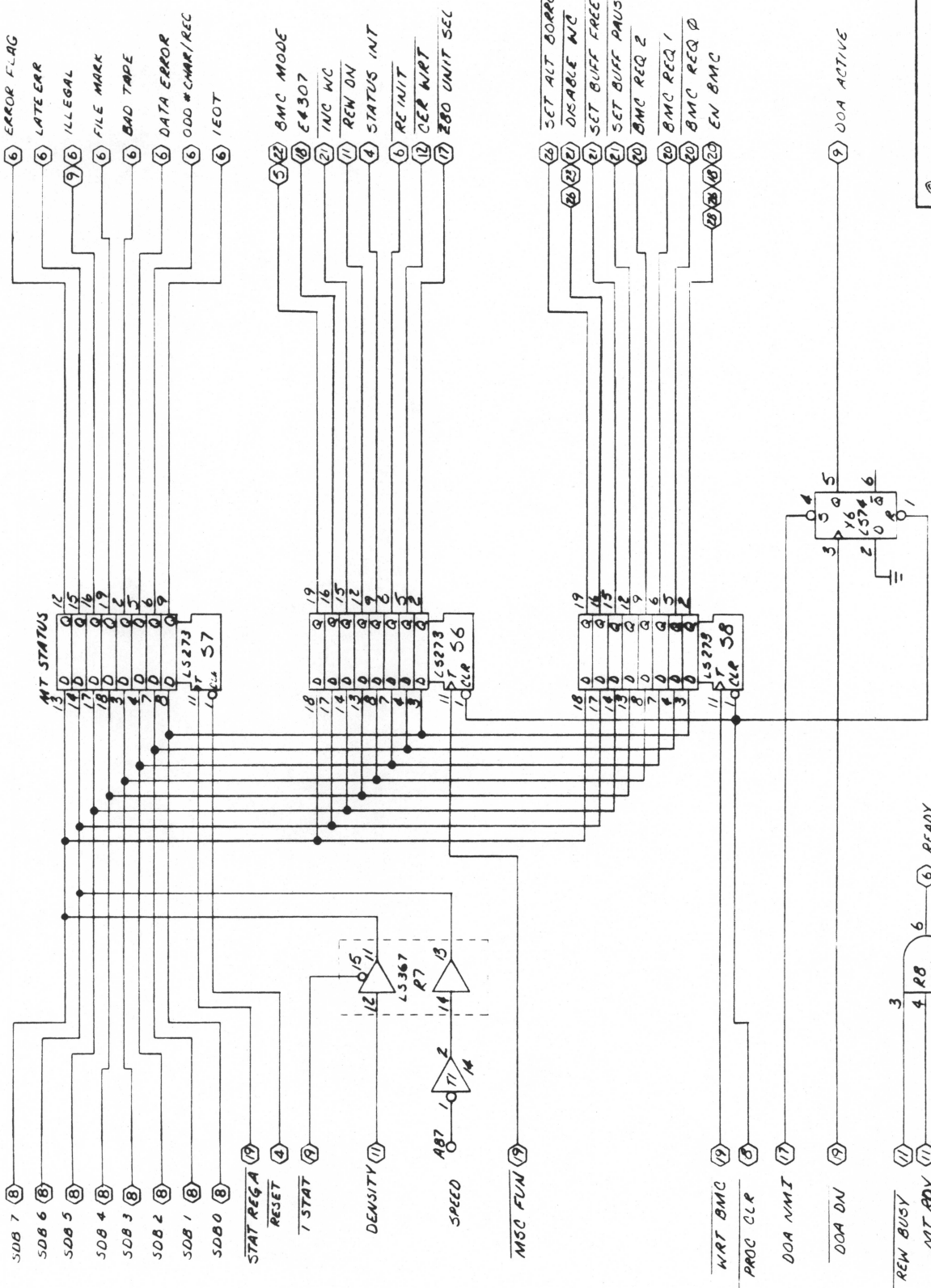
(SHEET 8)

700387-000 A

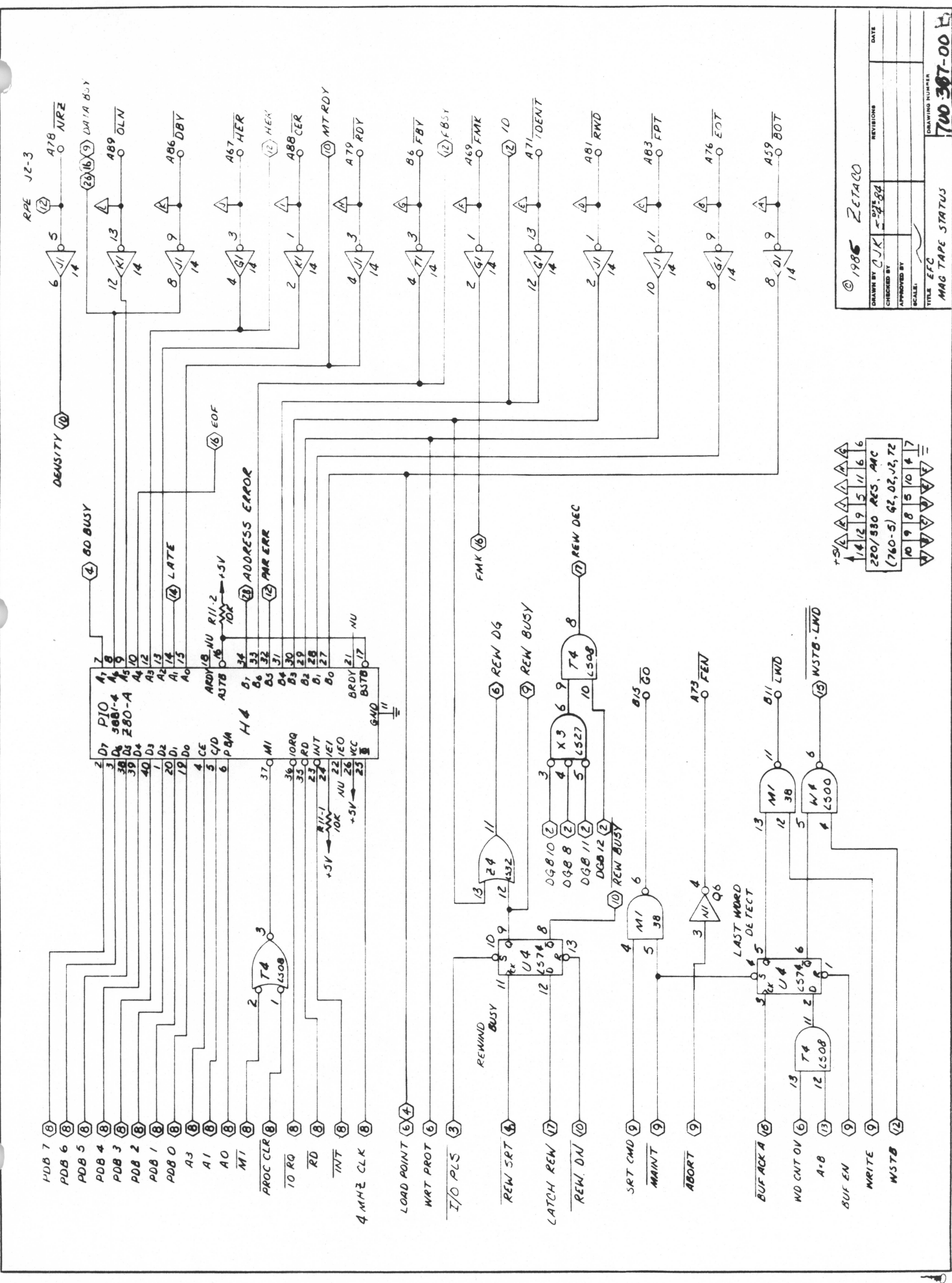


1986 ZETAC	
DRAWN BY CJK	DATE
CHECKED BY S. J. 5/84	REVISIONS
APPROVED BY	
SCALE	
TITLE EFC	DRAWING NUMBER
FUNCTION/STATUS REG	700367-00 B

700367-000 A

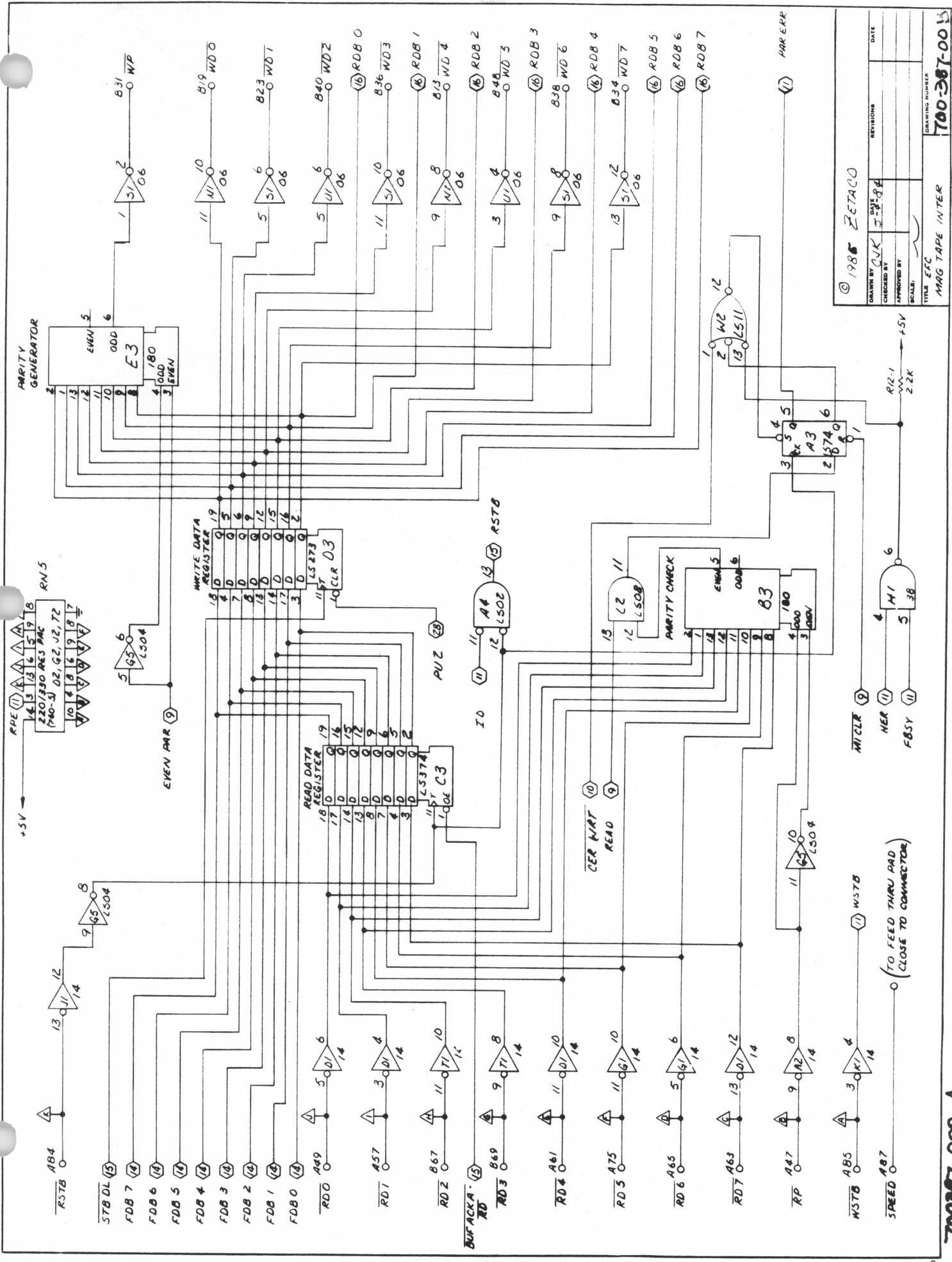


DRAWN BY: JJK		DATE:	REVISIONS:	DATE:
CHECKED BY:				
APPROVED BY:				
SCALE:				
TITLE: EFC		DRAWING NUMBER: 700-387-00		
		FUNG./STATUS REG. (CONT.)		



14 12 9 5 11 16 6
 220/580 RES. PAC
 (760-5) 62, 02, J2, T2
 10 9 8 5 10 14 7

DATE	REVISIONS
1/2/82	2
APPROVED BY	SCALE
CJK	
TITLE	DRAWING NUMBER
MAG TAPE STATUS	700367-00 H



DATE	3-28-84
REVISIONS	
DRAWN BY	CJK
CHECKED BY	
APPROVED BY	
SCALE	
TITLE	EFC
DRAWING NUMBER	700387-00

© 1984 ZETACO

15V
2.2K
R2-1

M1 3B

MICLR 9

HER 11

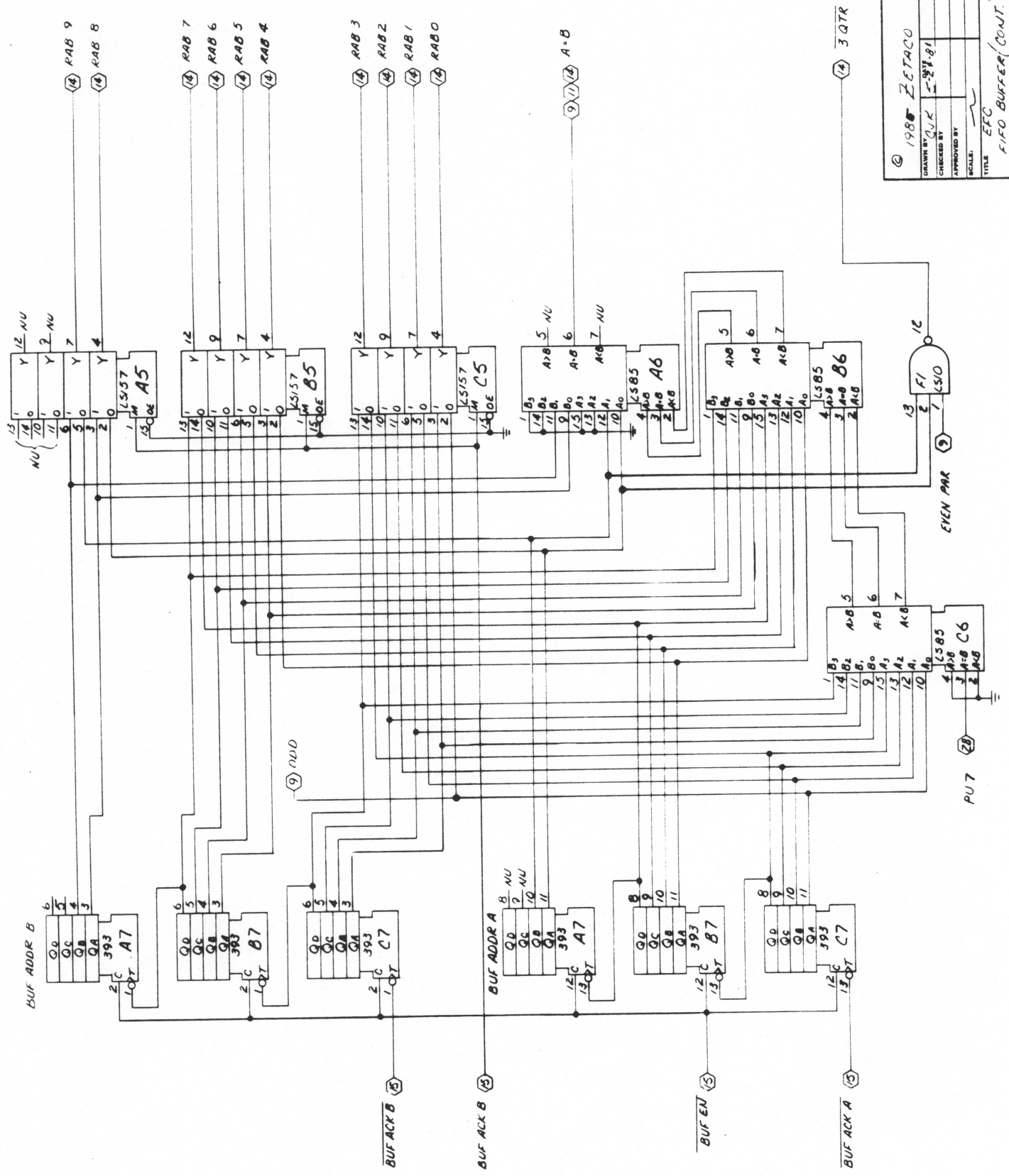
FBSY 11

WSTB 11

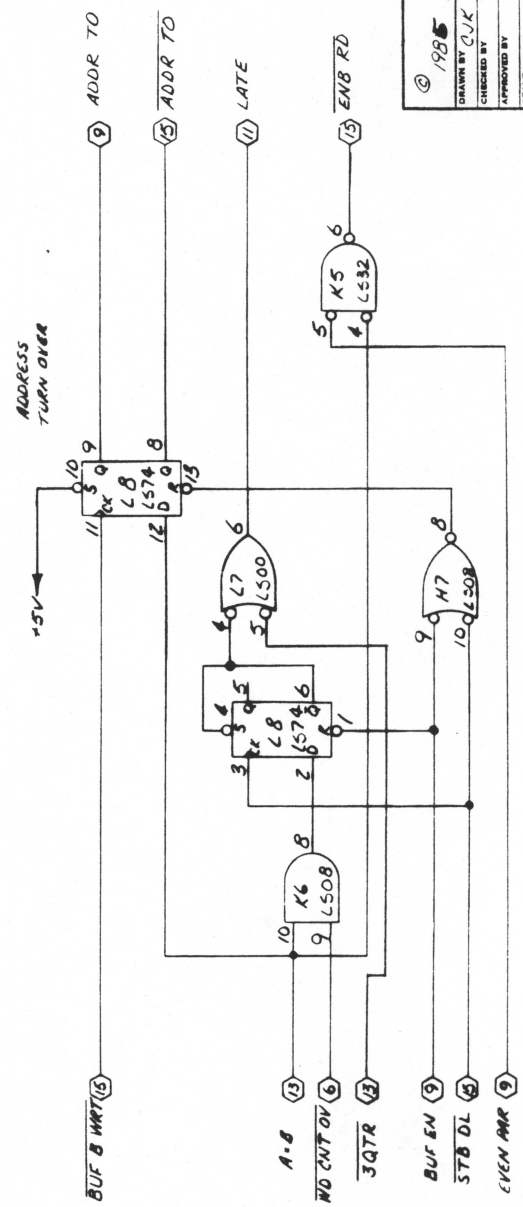
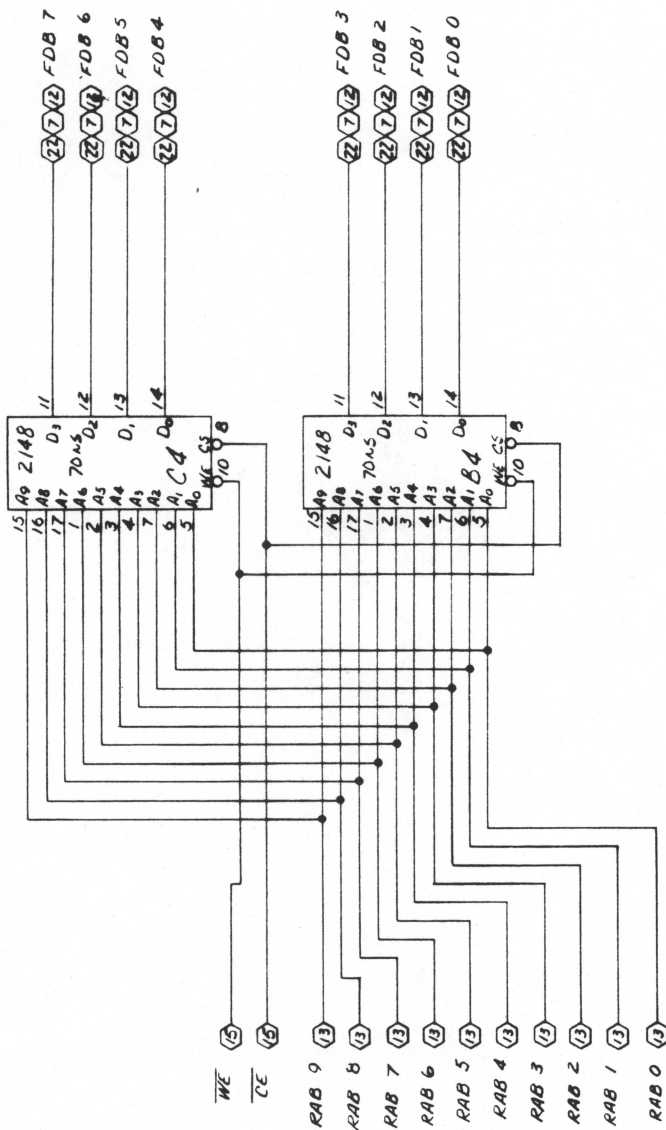
(TO FEED THRU PAD
CLOSE TO CONNECTOR)

700387-000 A

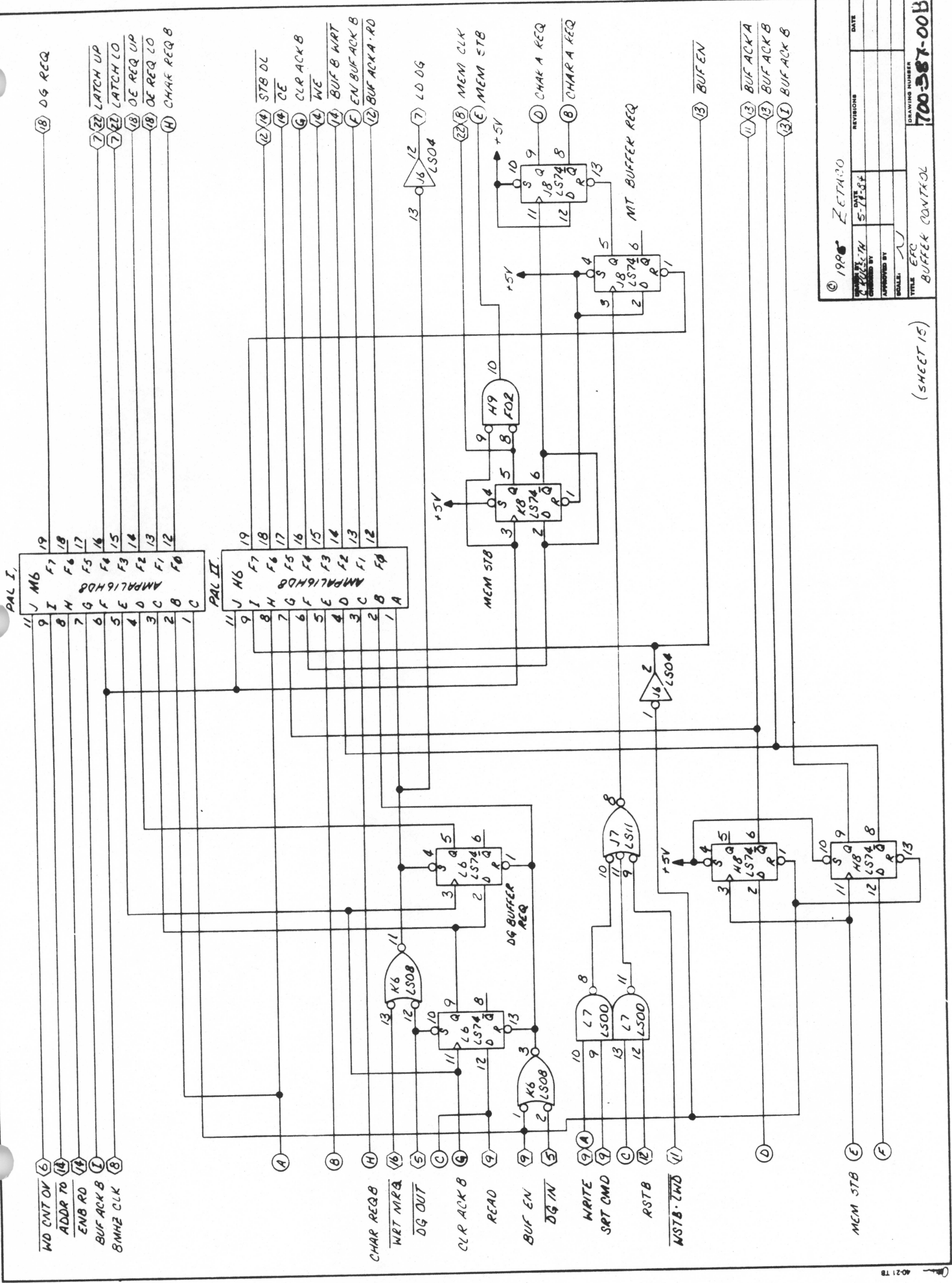
(SHEET 12)



© 1988 ZETACO		DATE
DRAWN BY: JUK	REVISED	
CHECKED BY:		
APPROVED BY:		
SCALE:		
TITLE: FIFO BUFFER (CONT.)		DRAWING NUMBER: 700-387-001B



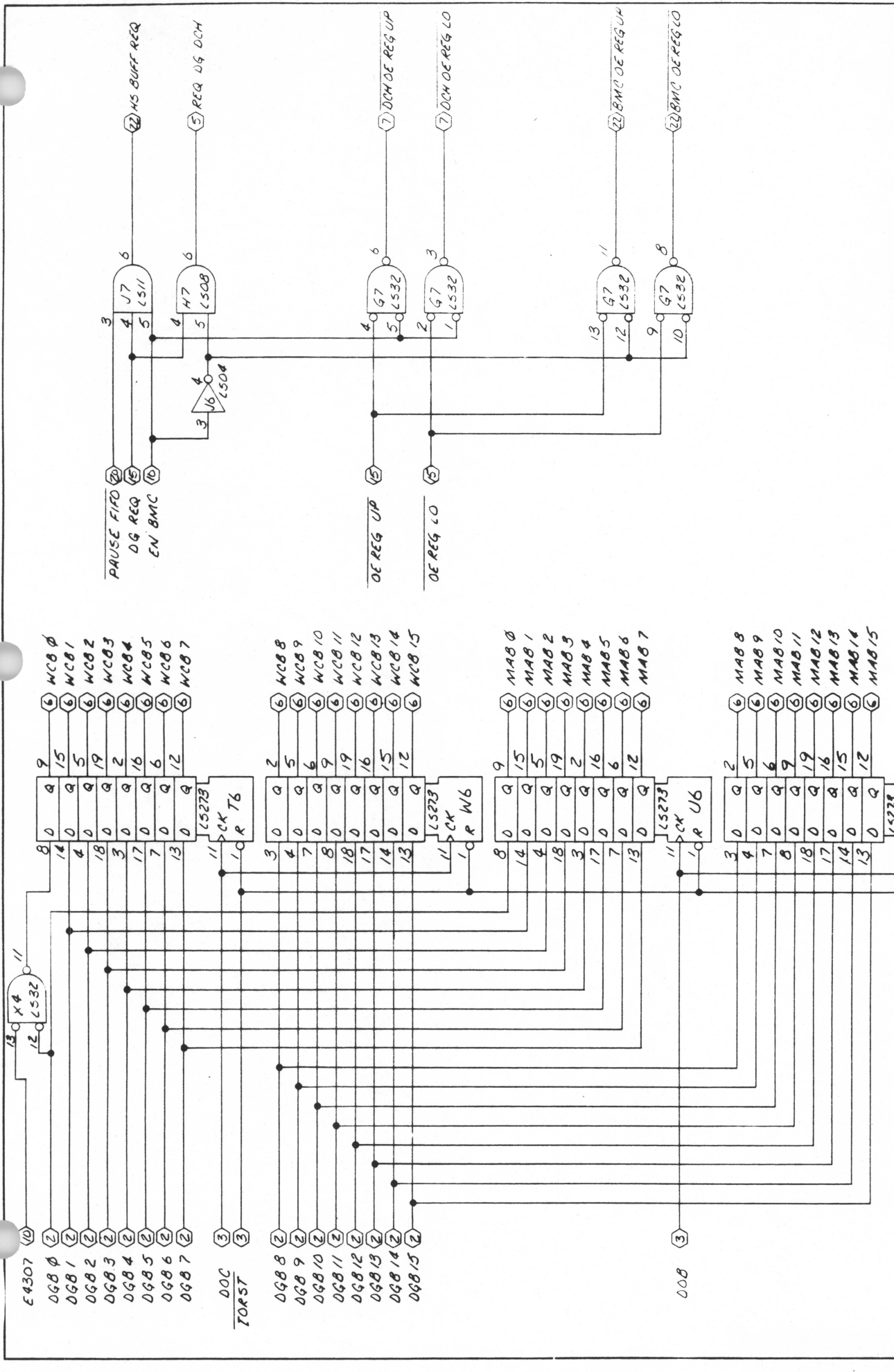
© 1985 ZETACO		REVISIONS	DATE
DRAWN BY	CLK	5-28-84	
CHECKED BY			
APPROVED BY			
SCALE			
TITLE	EFC FIFO BUFFER (CONT.)		
DRAWING NUMBER	700-387-00B		



© 1990 ZETARD		REVISIONS	DATE
770327M		5-78-5*	
DESIGNED BY	APPROVED BY	SCALE	
TITLE EFC		DRAWING NUMBER	
BUFFER CONTROL		700387-00B	

(SHEET 15)

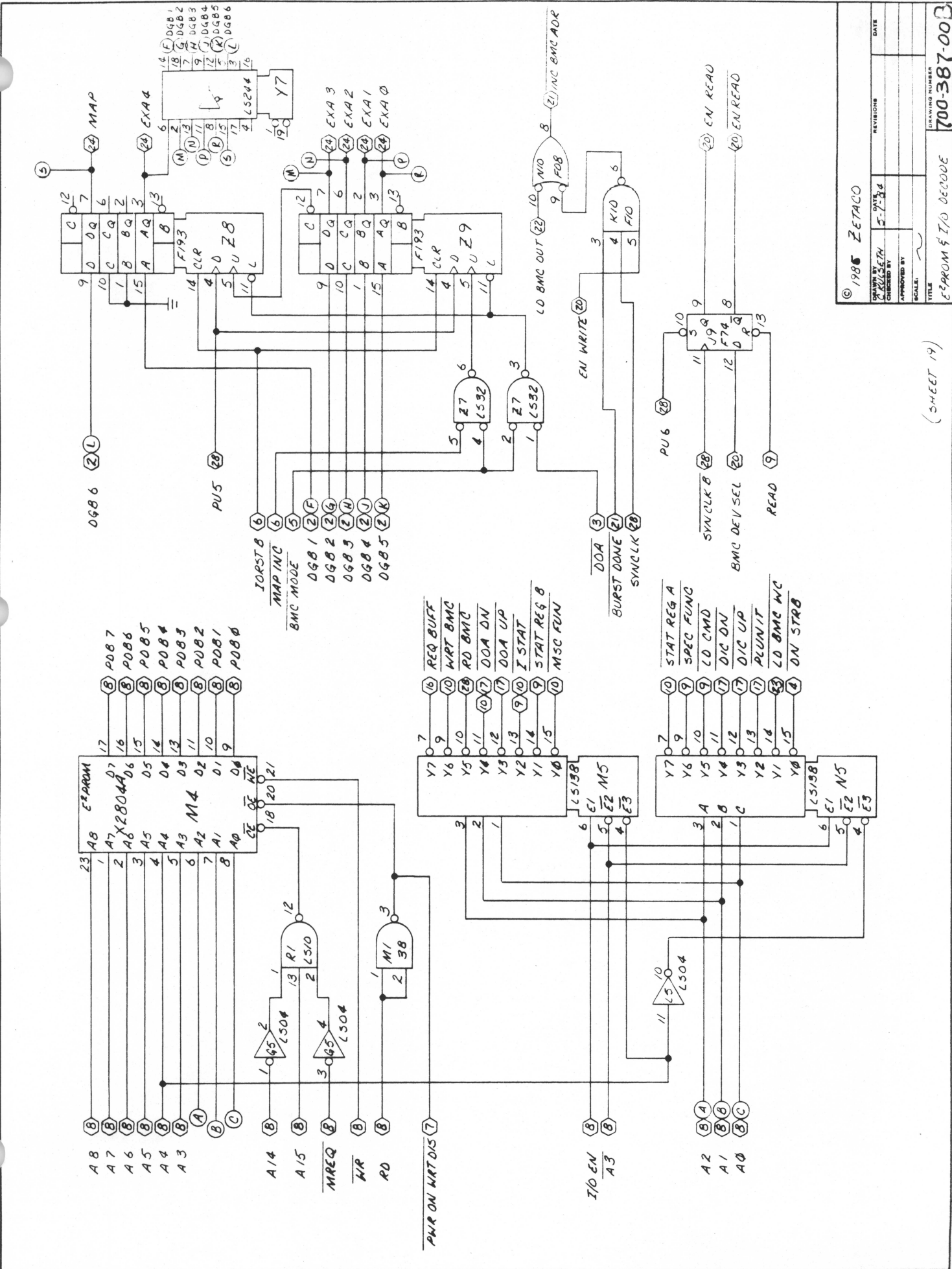
700387-000 A



© 1985 ZETACCO		REVISIONS	DATE
DESIGNED BY	DATE	APPROVED BY	SCALE
CHECKED BY	8-27-84		
TITLE		DRAWING NUMBER	
DATA CONTROL - REM II		700-387-00	

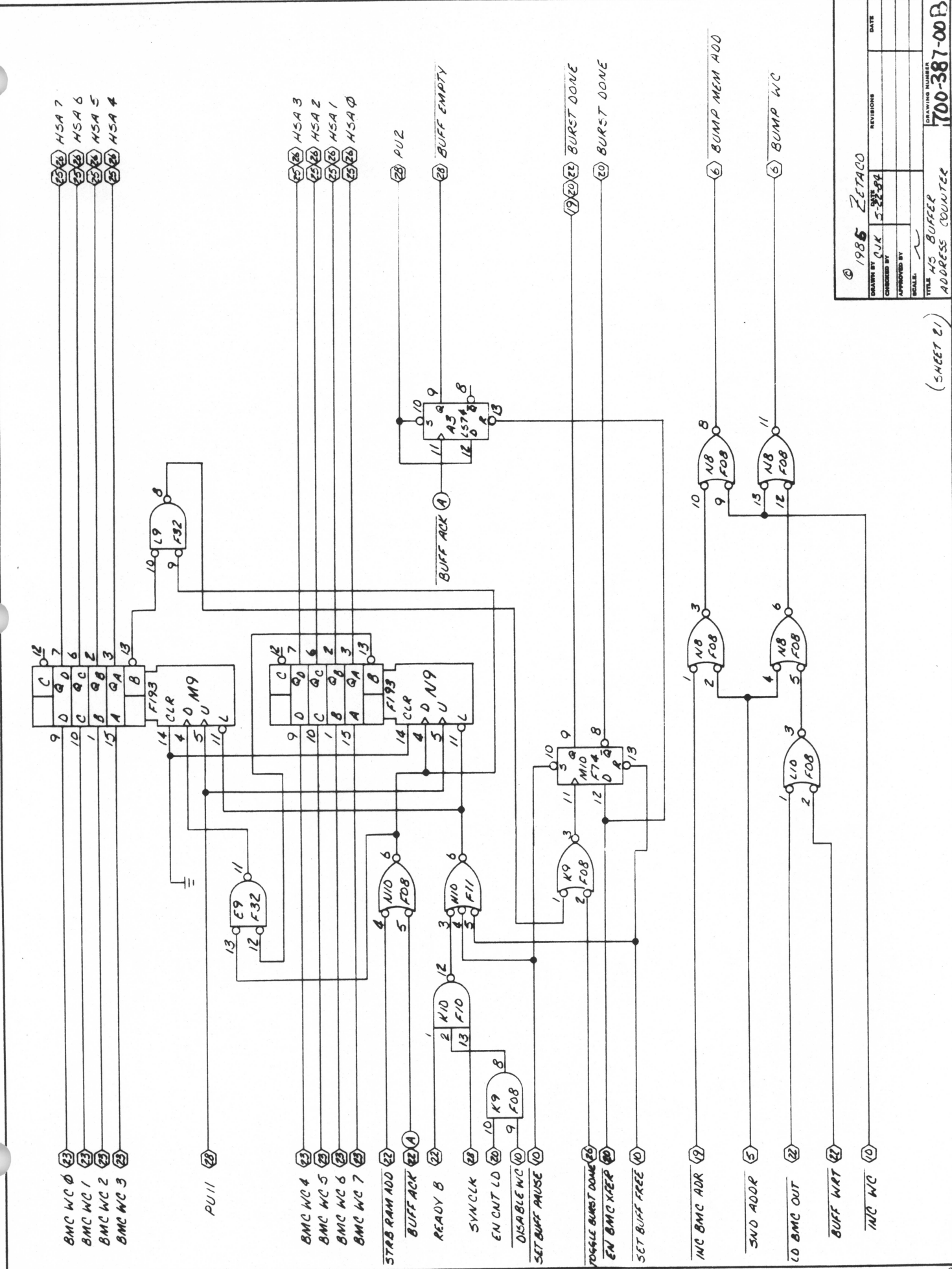
(SHEET 18)

700387-000 A



© 1985 ZETACO	
DRAWN BY P. W. SETHI	DATE 5-7-84
CHECKED BY	REVISIONS
APPROVED BY	DATE
SCALE:	
TITLE EPROM I/O DECODE	
DRAWING NUMBER 700-387-00B	

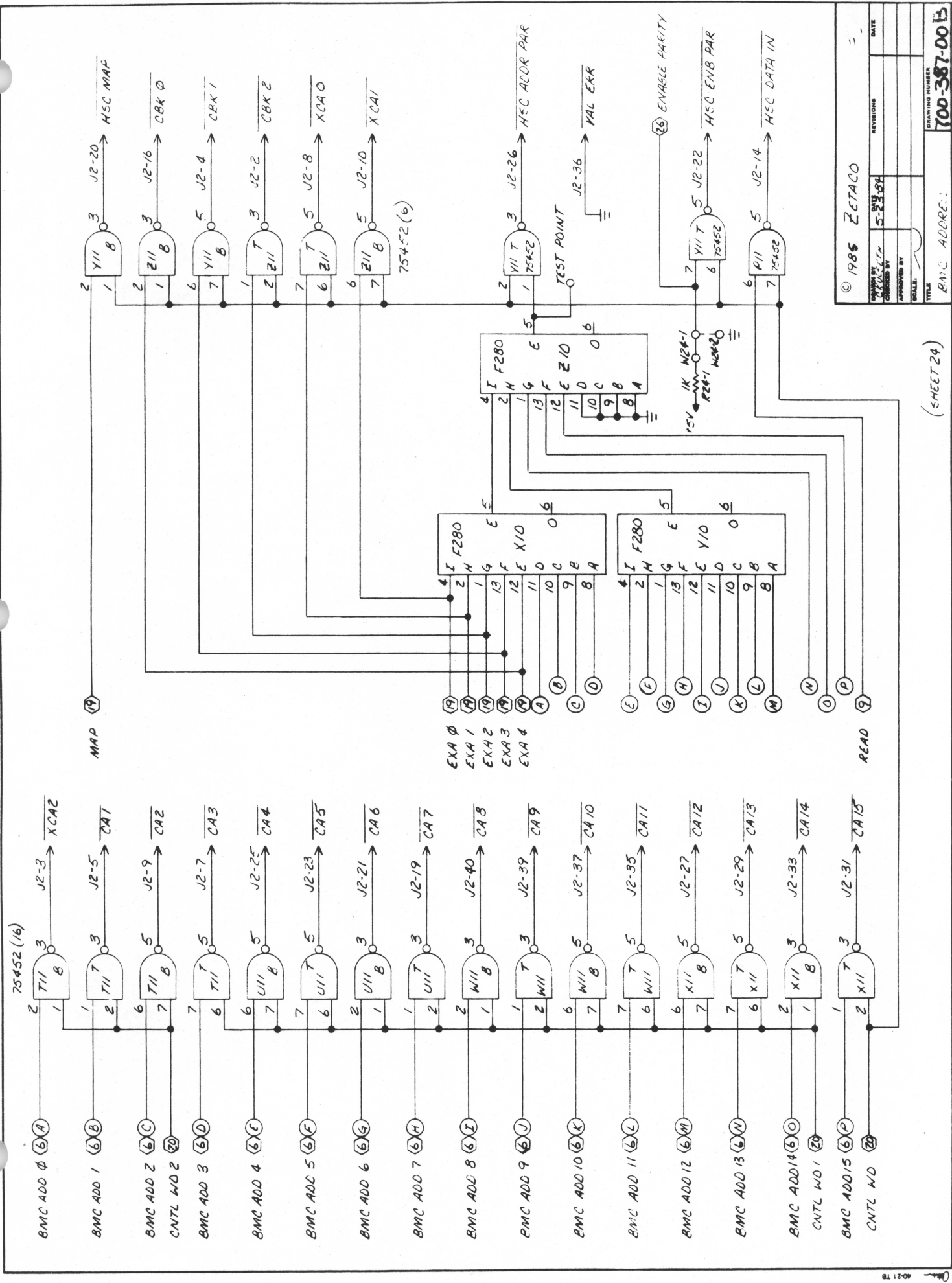
(SHEET 14)



DATE	
REVISIONS	
DRAWN BY	RJK
CHECKED BY	
APPROVED BY	
SCALE	
TITLE	HSA BUFFER ADDRESS COUNTER
ISSUING NUMBER	700-387-00B

(SHEET 21)

700387-000 A



© 1985 ZETACO

DATE: 5-23-84

REVISIONS: _____

APPROVED BY: _____

CHECKED BY: _____

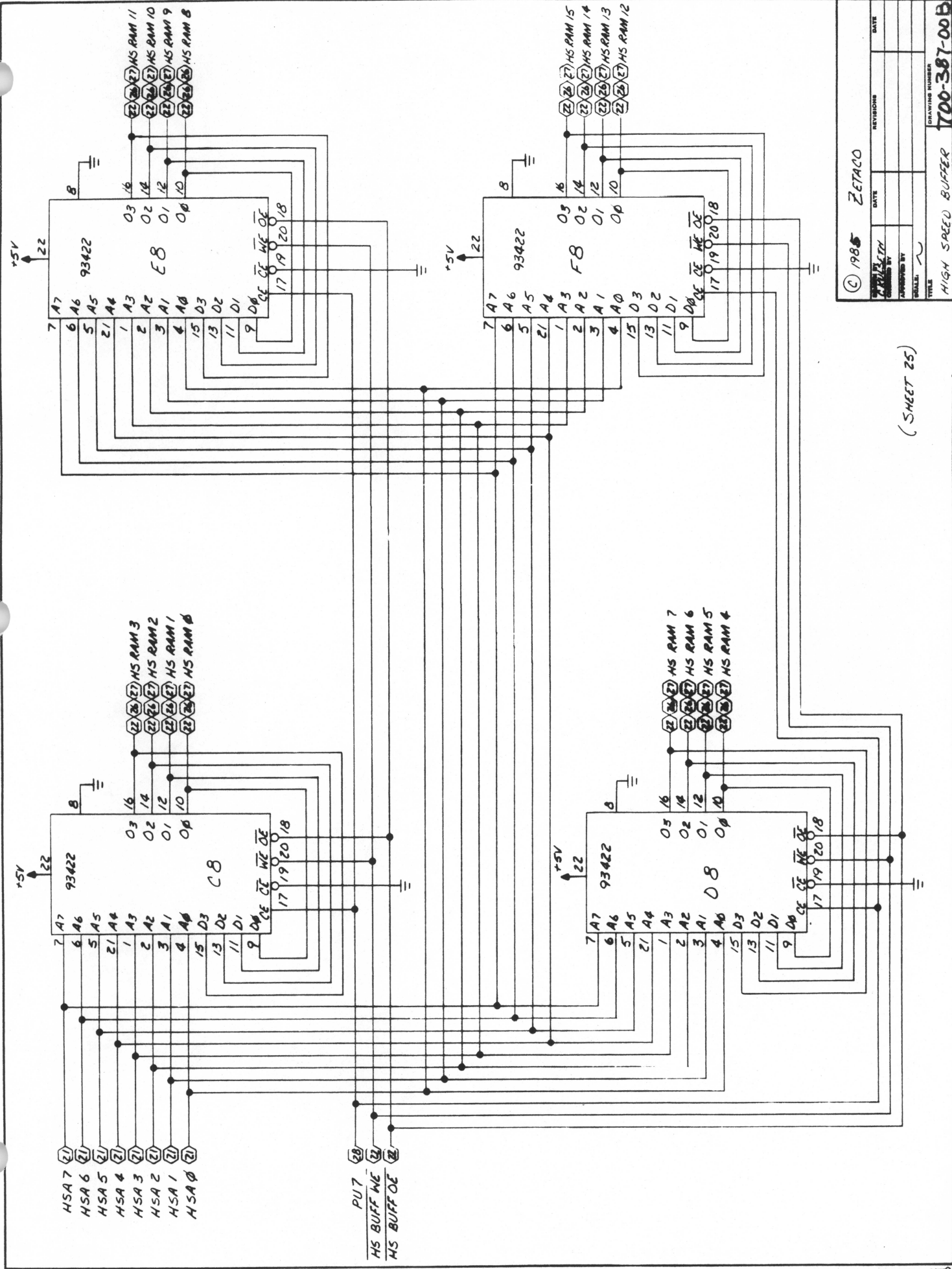
SCALE: _____

TITLE: _____

DRAWING NUMBER: 700-387-000A

DATE: _____

(SHEET 24)



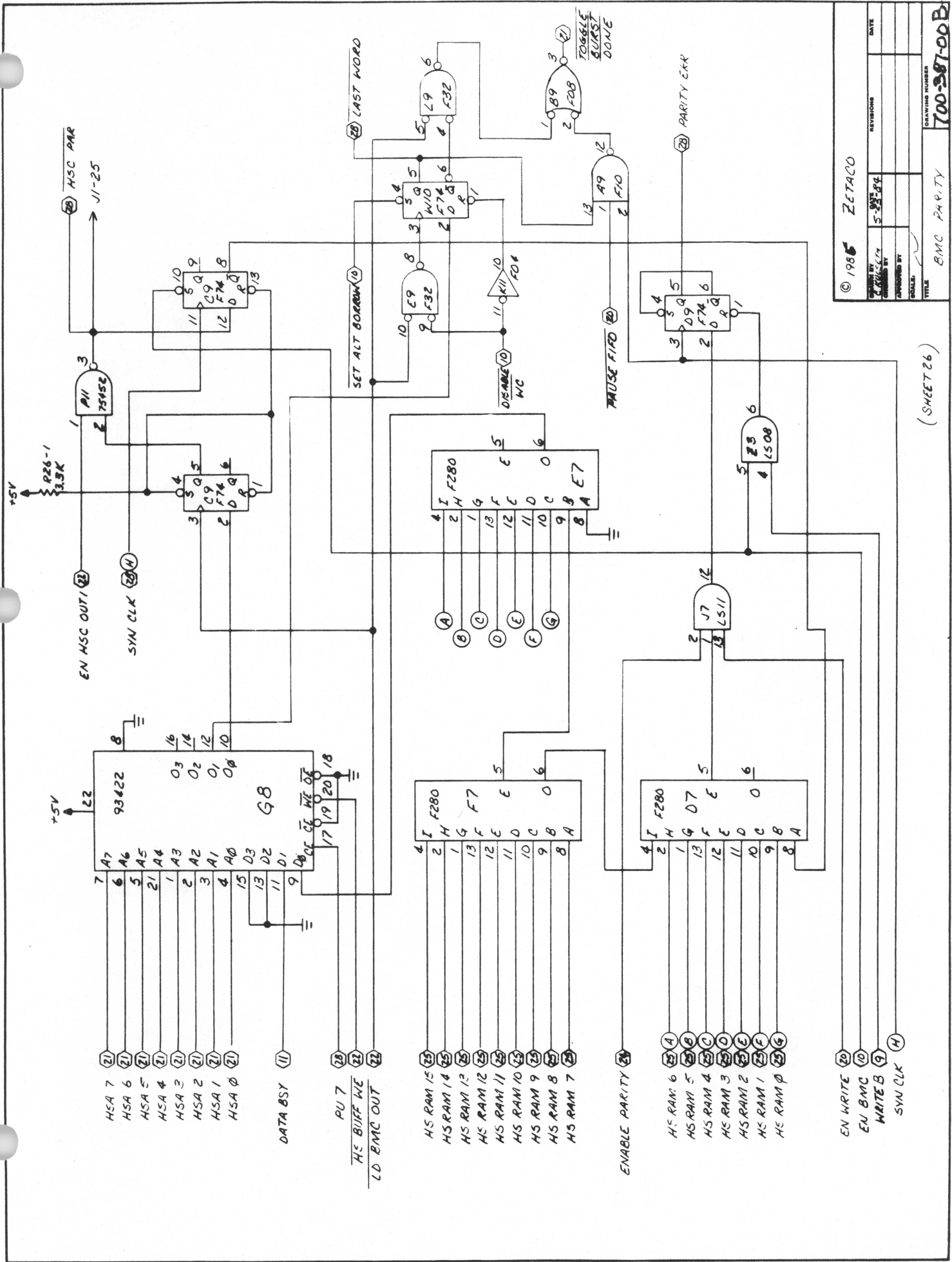
© 1985 ZETACO

DATE	REVISIONS	DATE

APPROVED BY: _____
 CHECKED BY: _____
 TITLE: HIGH SPEED BUFFER
 DRAWING NUMBER: 700-387-00B

(SHEET 25)

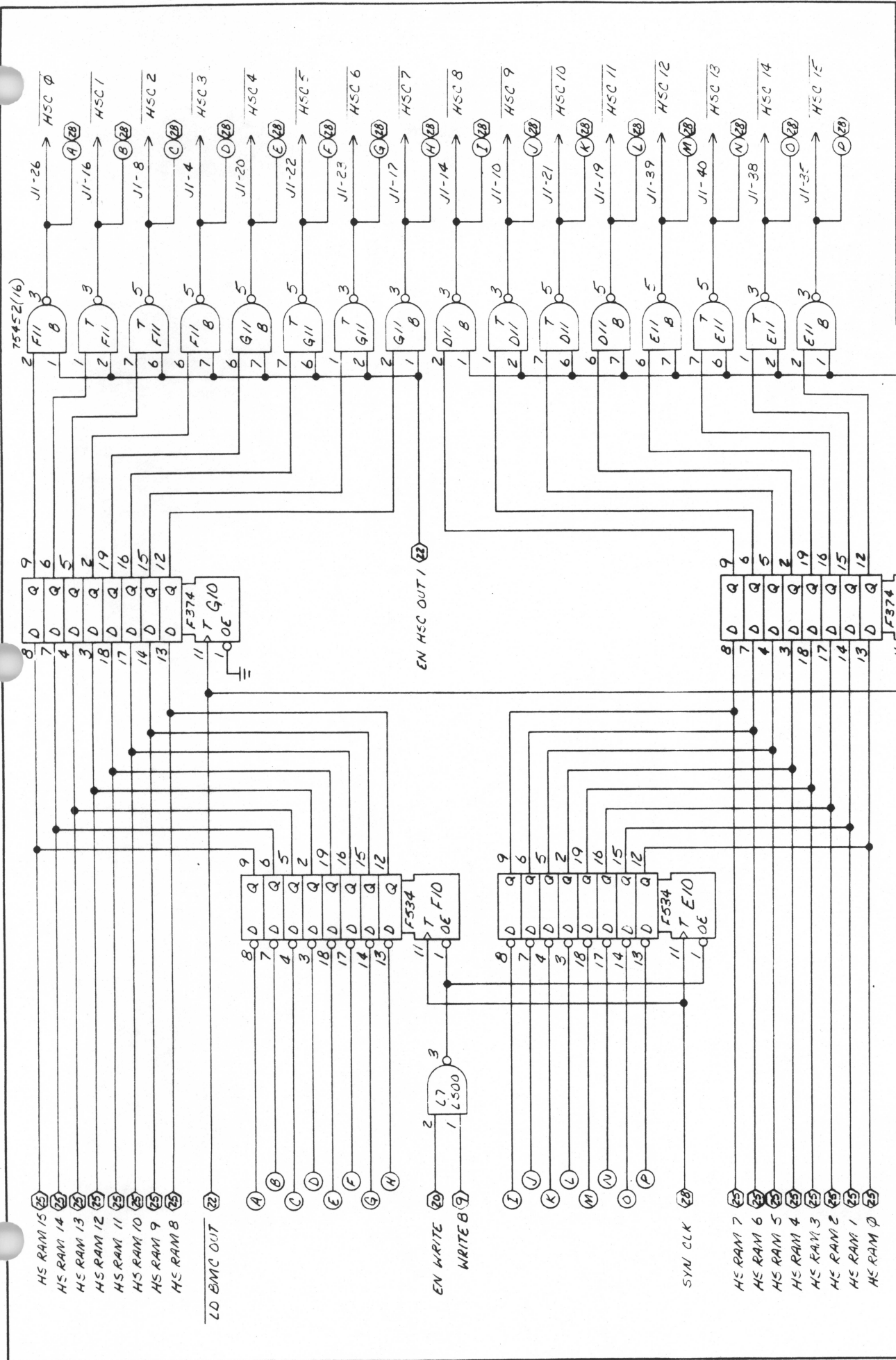
700387-000 A



© 1985 ZETACO	
DESIGNED BY L. P. H. S. L. T.	REVISIONS
APPROVED BY	DATE
DRAWN BY	
TITLE BMC PARITY	DRAWING NUMBER 700-387-00 B

(SHEET 26)

700387-000 A



© 1985 ZETACO	
DRAWN BY M. HILSEN	DATE 5-22-84
CHECKED BY	APPROVED BY
SCALE:	
TITLE BMC DATA BUS	DRAWING NUMBER 700387-00 B
REVISIONS	DATE

(SHEET 27)

700387-000 A

