

BHX-2  
041-095-00A  
AND BELOW

BMX-2

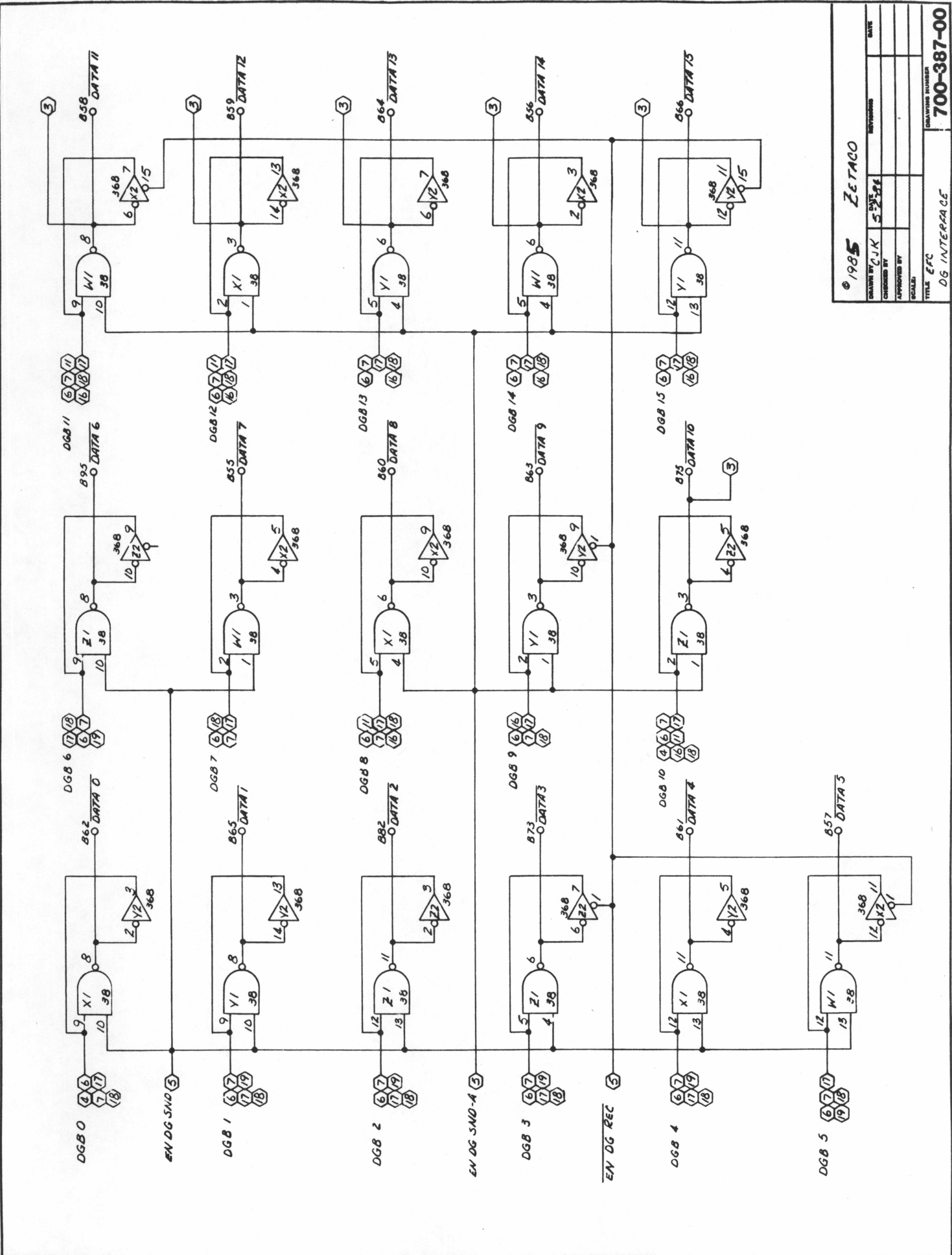
REVISION HISTORY	
ECO	DATE
0504	10-85
0506	1-86
0640	7-86
0688	9-86
0776	2-87
0935	7-8
0995	11-87
1170	12-88

AM  
JPP

DEC 1 1988

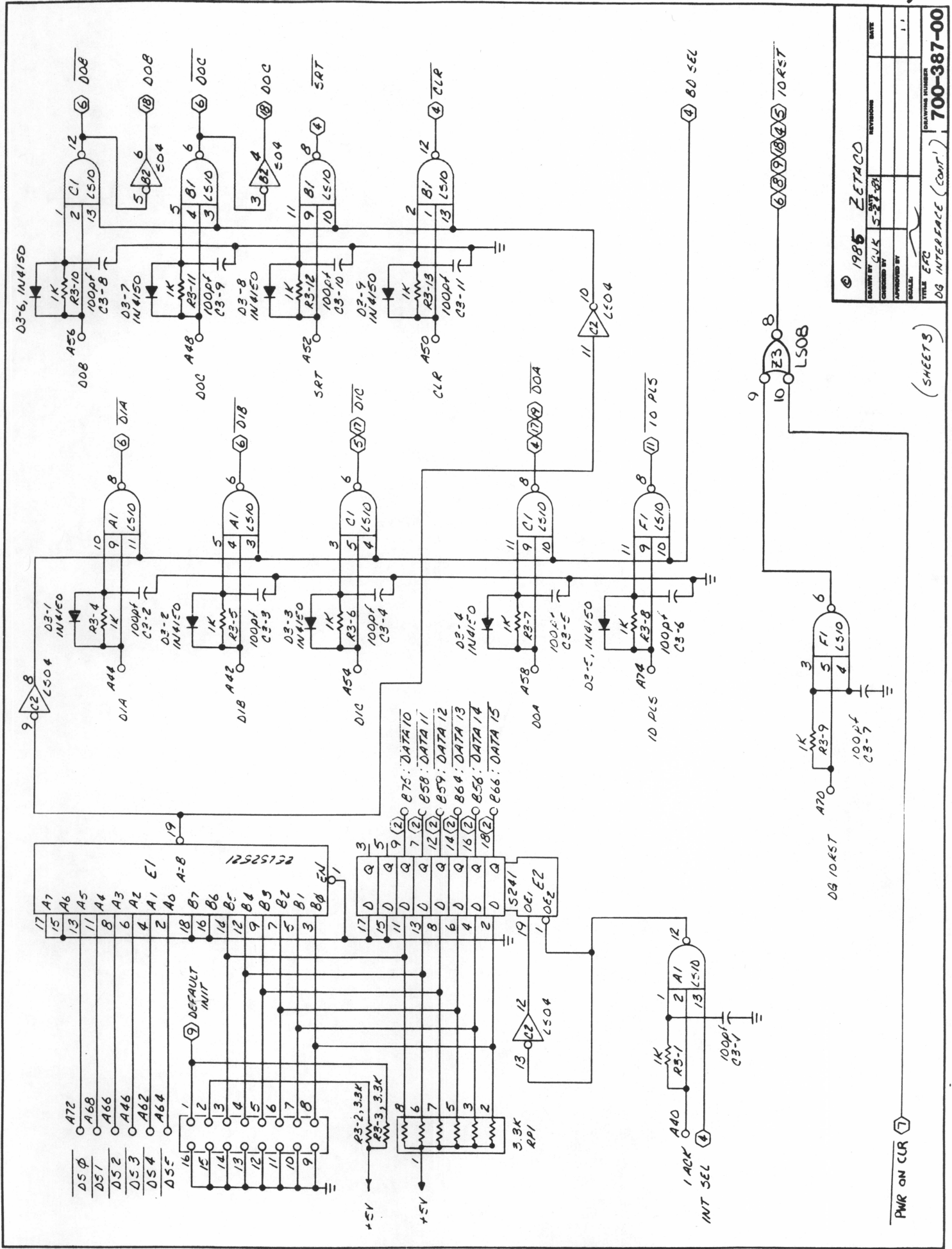
1 of 28

1985 ZETACO	
DESIGNED BY CJK	DATE 8-27-84
CHECKED BY	REVISIONS
APPROVED BY	
SCALE	
TITLE	DRAWING NUMBER 700-387-00



© 1985 ZETACO	
DRAWN BY: CJK	DATE: 5-2-84
CHECKED BY:	
APPROVED BY:	
SCALE:	
TITLE: EFC	REVISION NUMBER:
DG INTERFACE	700-387-00

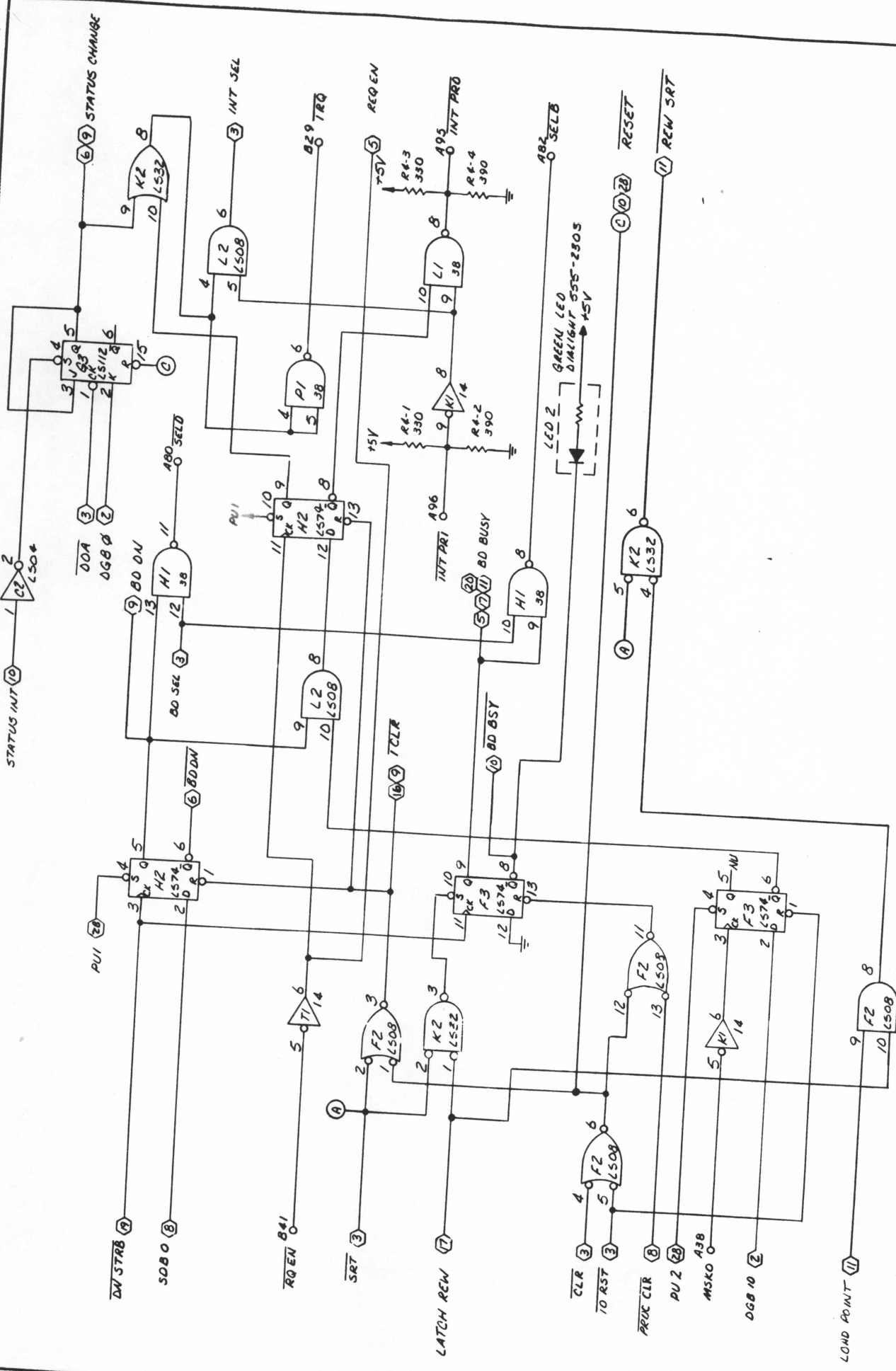
(SHEET 2)



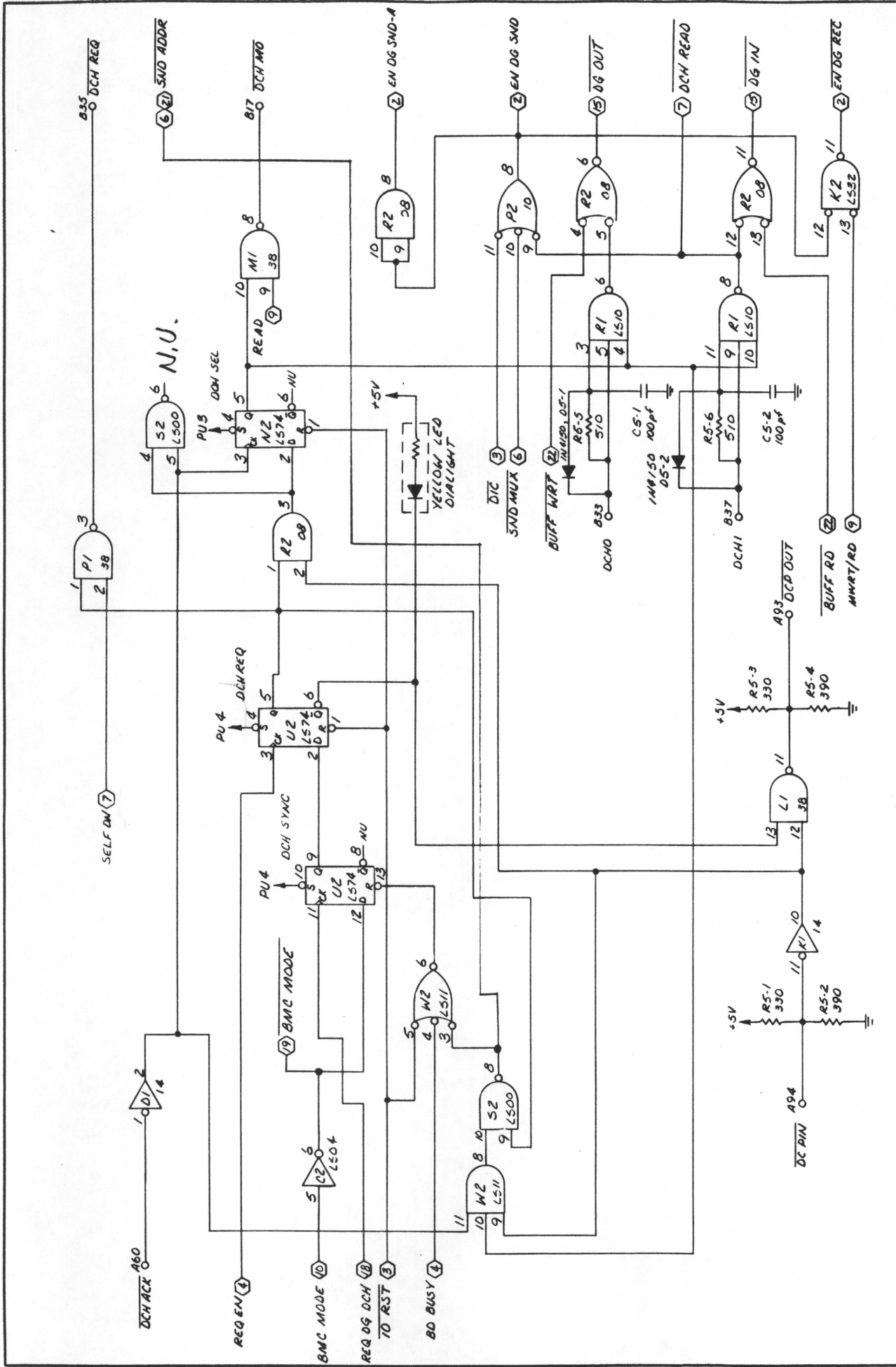
1985 ZETACO		DATE	1.1
DRAWN BY GJK	5-27-85	REVISIONS	
CHECKED BY		APPROVED BY	
SCALE		TITLE EFC	
DB INTERFACE (CONT.)		DRAWING NUMBER	700-387-00

(SHEETS)

PWR ON CLR



© 1985 ZETACO	
DESIGNED BY	CJK
CHECKED BY	S-37-85
APPROVED BY	
SCALE	
TITLE	ZFC
DATE	
REVISION NUMBER	
700-387-00	
DG CONTROL	

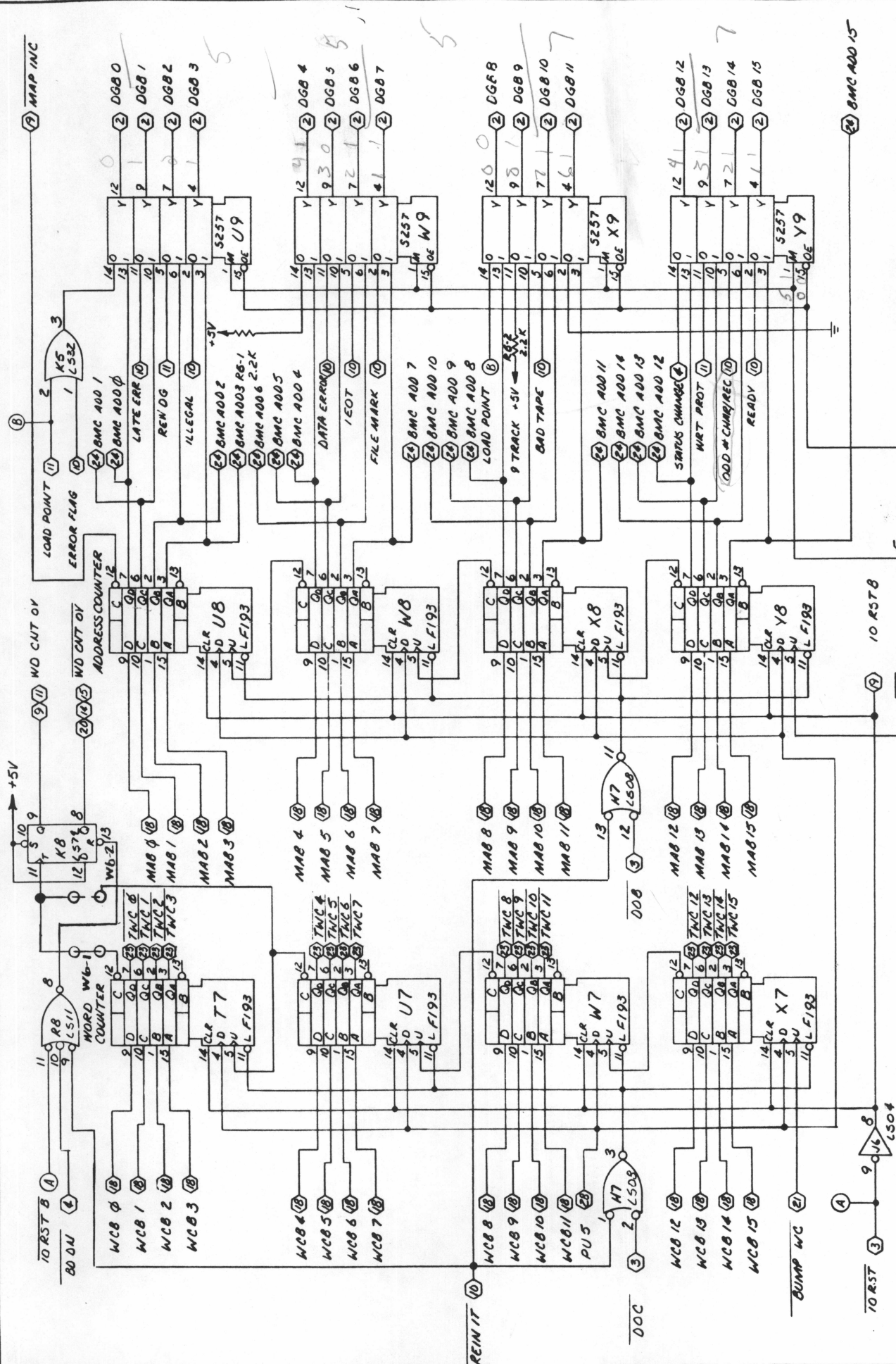


© 1985 ZETACO

DRAWN BY: CJK 5-3-85  
 CHECKED BY: [ ]  
 APPROVED BY: [ ]  
 SCALE: [ ]

TITLE: EFC  
 DB CONTROL (CONT.)

DRAWING NUMBER: 700-387-00  
 SHEET NUMBER: (SHEET 5)



1988 ZETACO

DESIGNED BY: CJK

APPROVED BY:

SCALE: ZFC

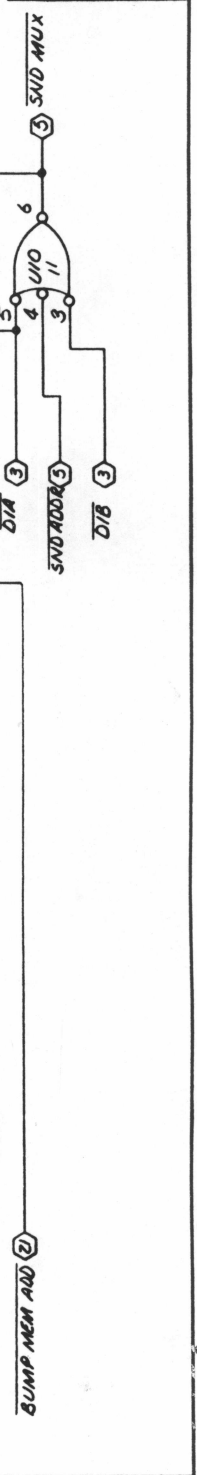
TITLE: ZFC

DG: WBCD / ADDR COUNT

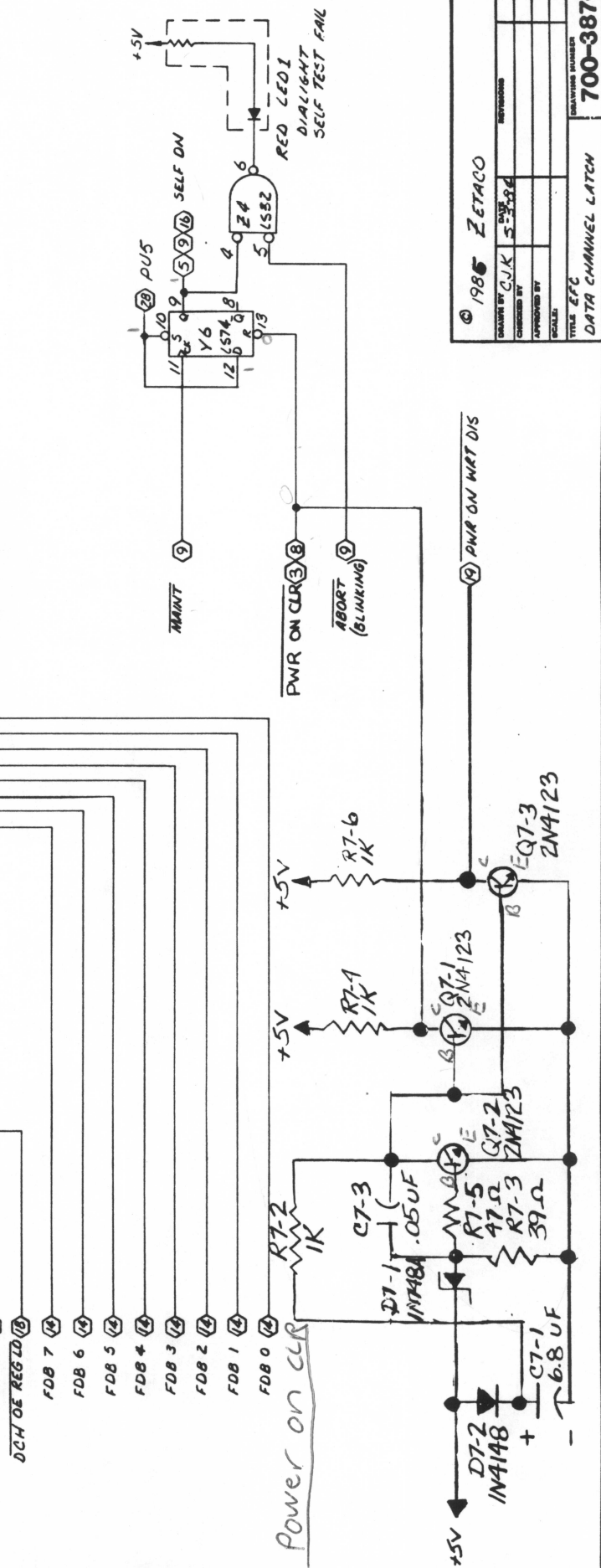
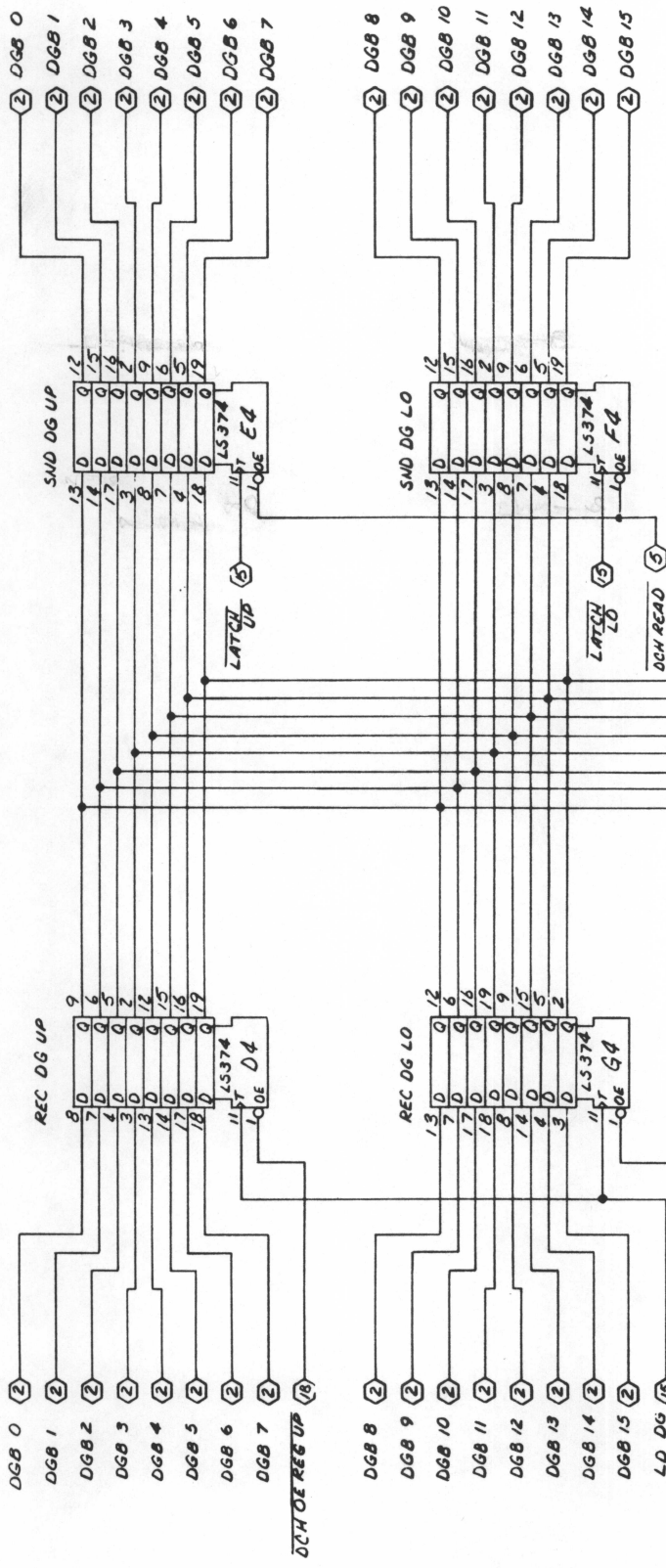
700-387-00

CREATING NUMBER

DATE



(SHEET 6)



© 1985 ZETACO

DRAWN BY CJK

CHECKED BY S-S/PL

APPROVED BY

SCALE

REVISIONS

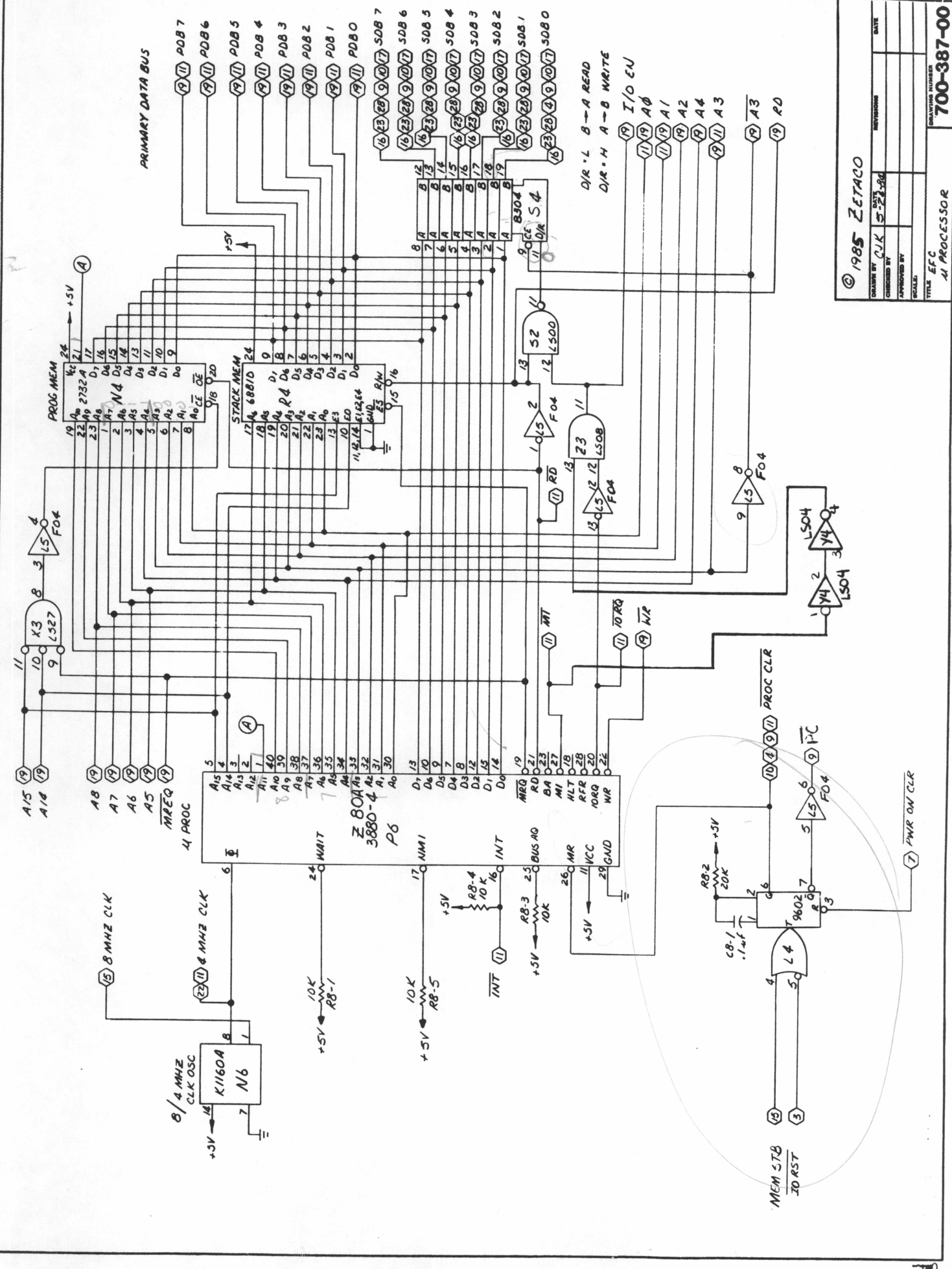
DATE

TITLE EFC

DATA CHANNEL LATCH

DRAWING NUMBER 700-387-00



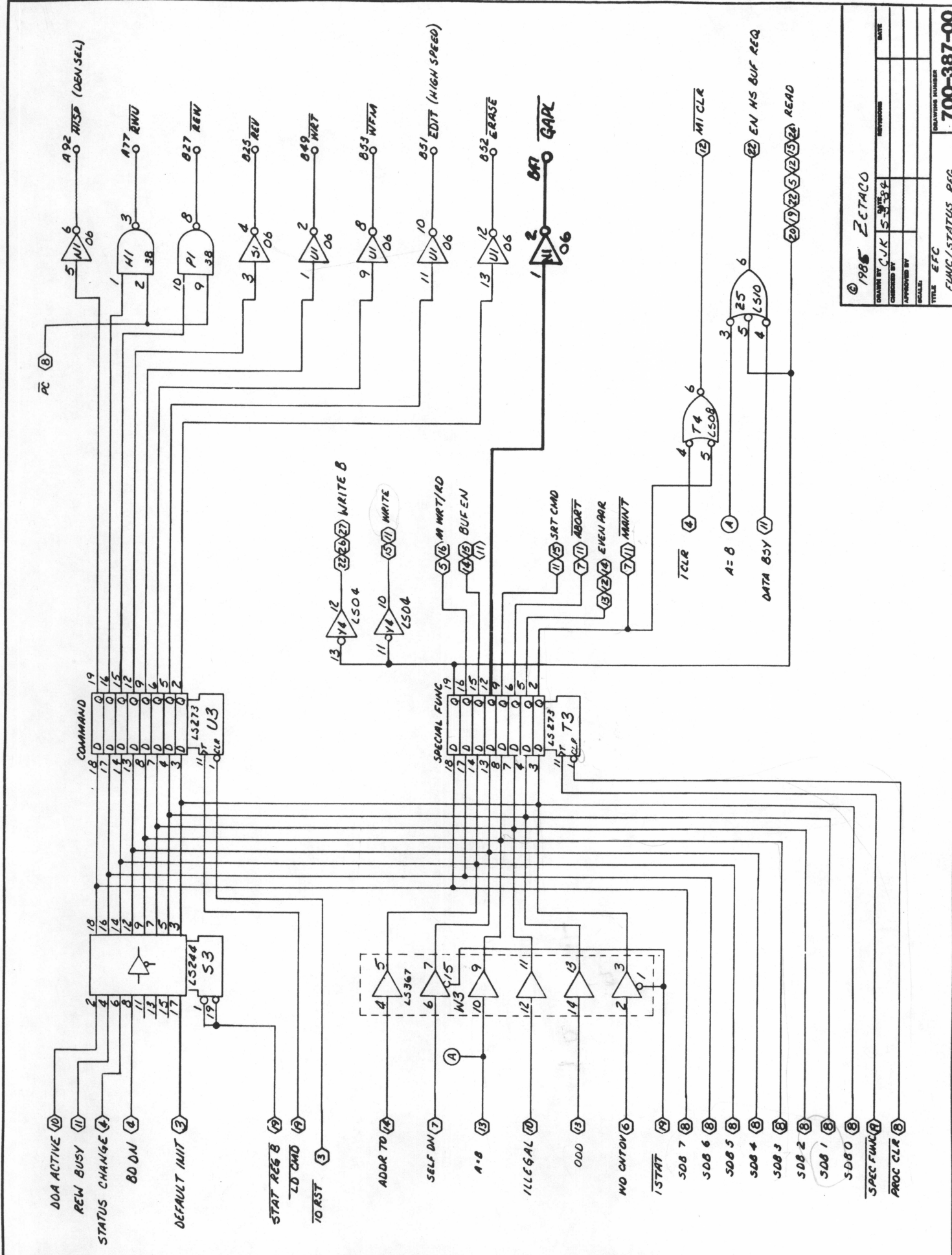


PRIMARY DATA BUS

D/R = L B → A READ  
D/R = H A → B WRITE

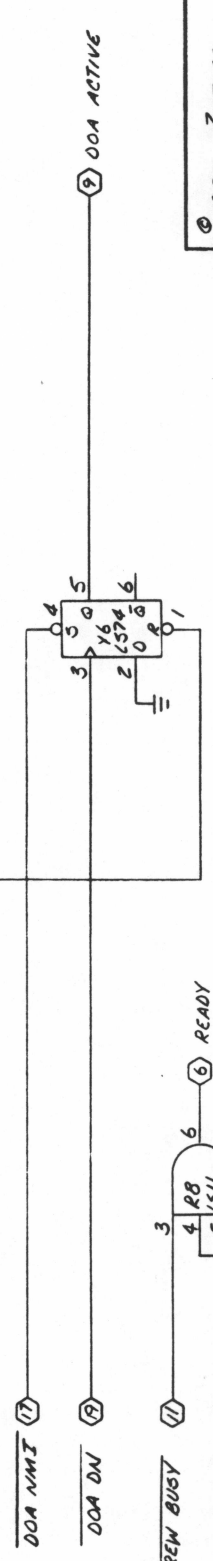
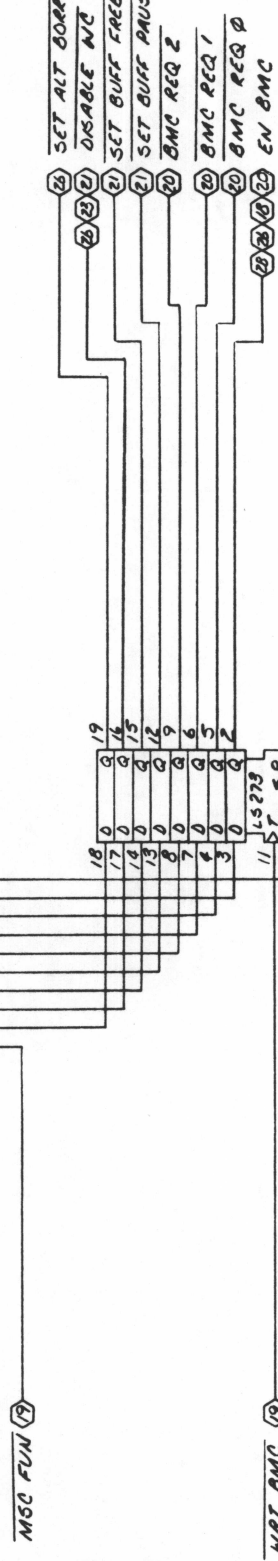
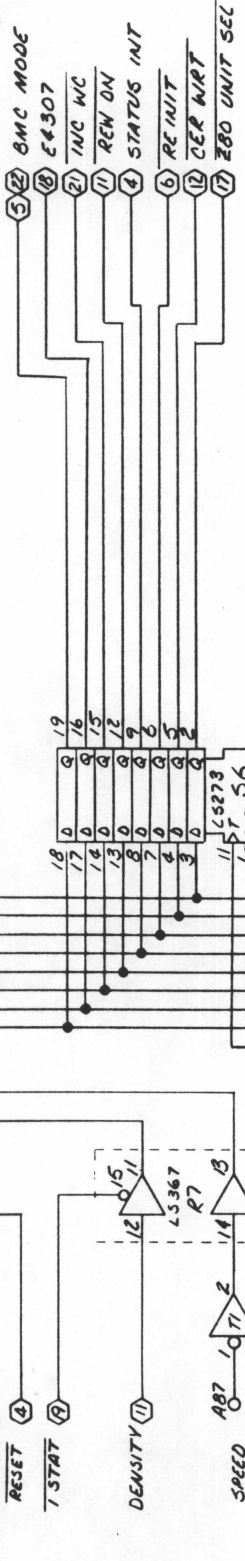
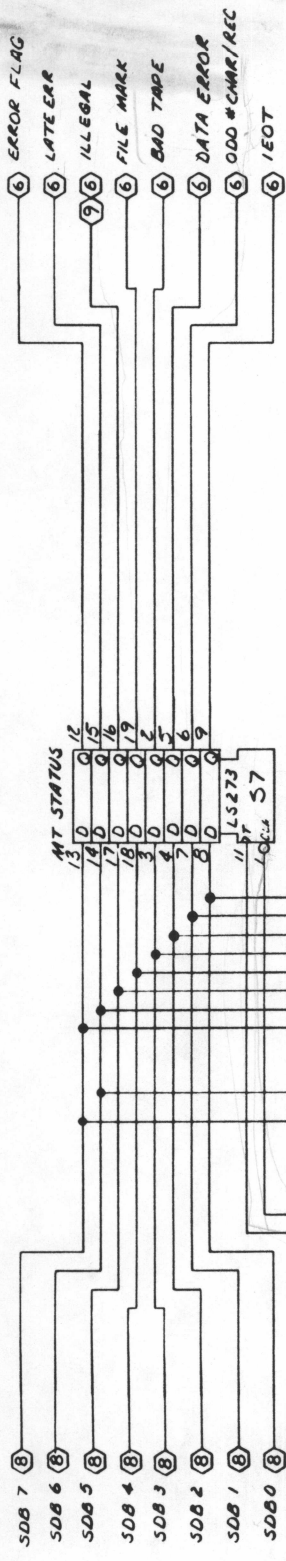
© 1985 ZETACO	
DRAWN BY	CJK
CHECKED BY	S-22-84
APPROVED BY	
SCALE	
TITLE	Z80A PROCESSOR
DRAWING NUMBER	700-387-00
DATE	

(SHEET 8)

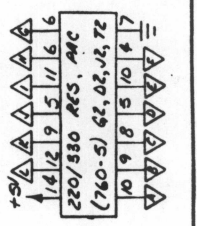
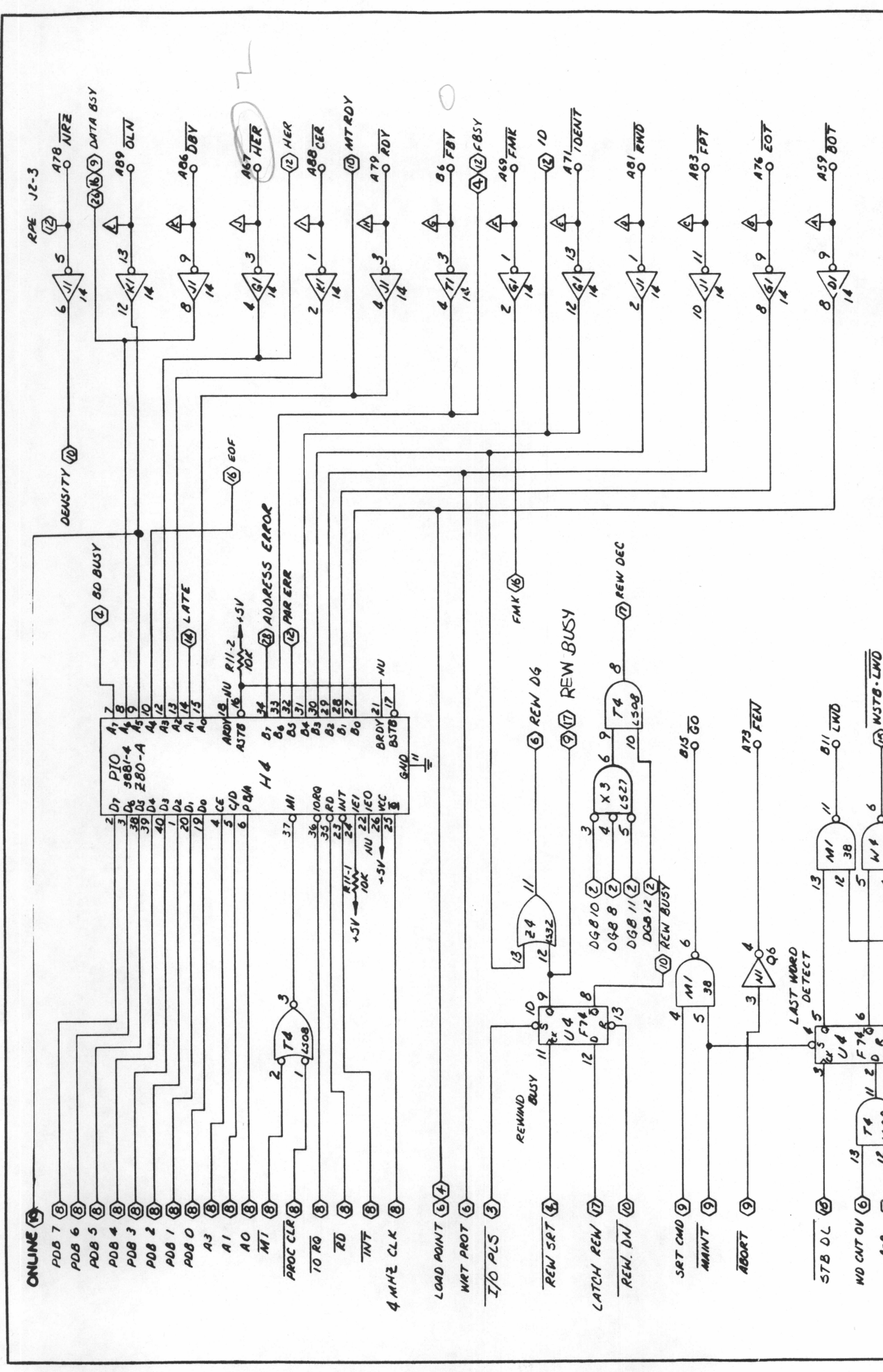


© 1985 ZETACCO	
DRAWN BY CJK	DATE 5-3-85
CHECKED BY	
APPROVED BY	
SCALE	
TITLE EFC	DRAWING NUMBER
FUNC/STATUS REG	700-387-00

(SHEET 9)

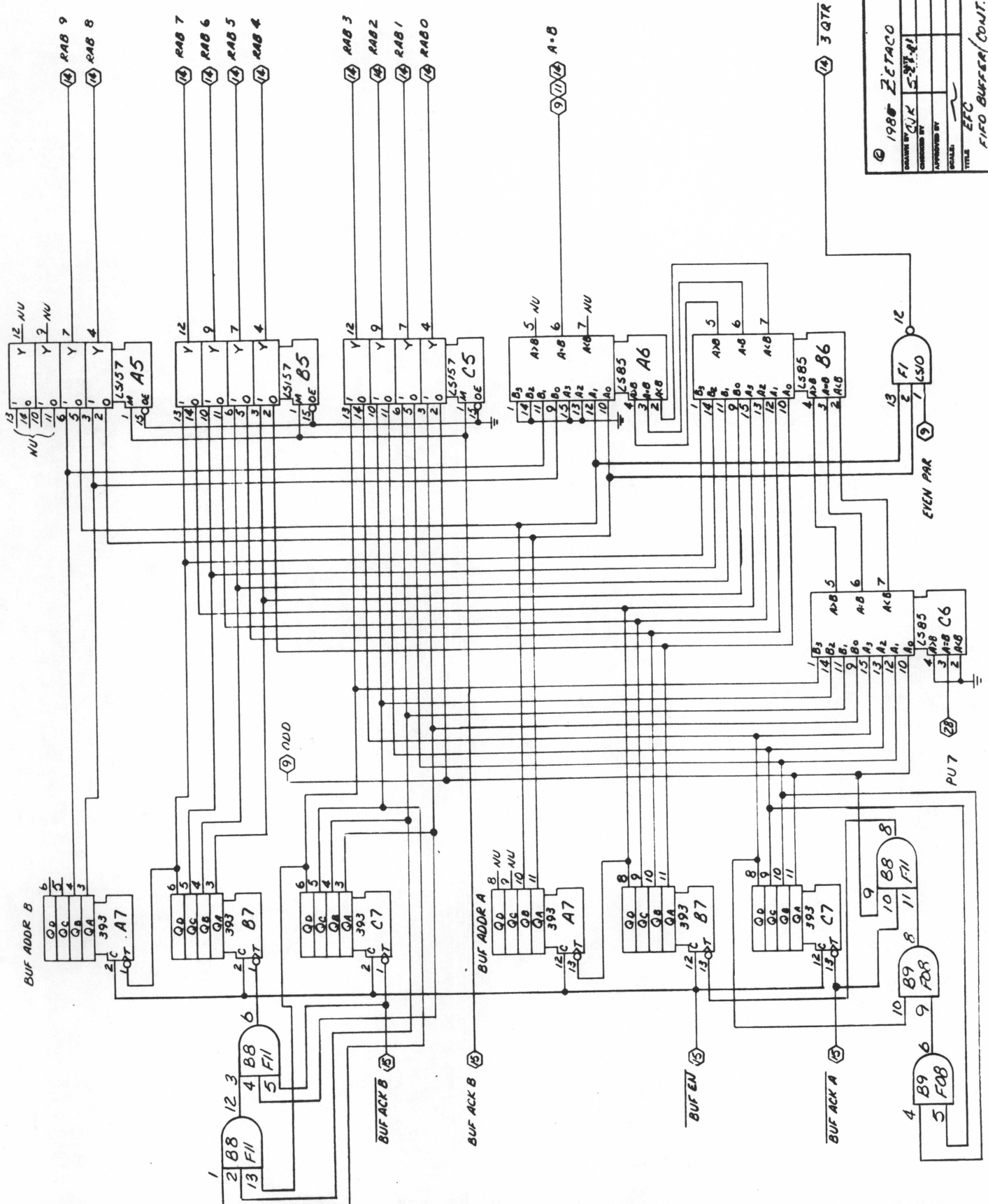


© 1985 ZETACO  
 DRAWN BY: CJK  
 CHECKED BY: \_\_\_\_\_  
 APPROVED BY: \_\_\_\_\_  
 SCALE: \_\_\_\_\_  
 TITLE: EFC  
 QUANTITY NUMBER: 700-387-00  
 DATE: \_\_\_\_\_  
 REVISIONS: \_\_\_\_\_  
 DATE: \_\_\_\_\_

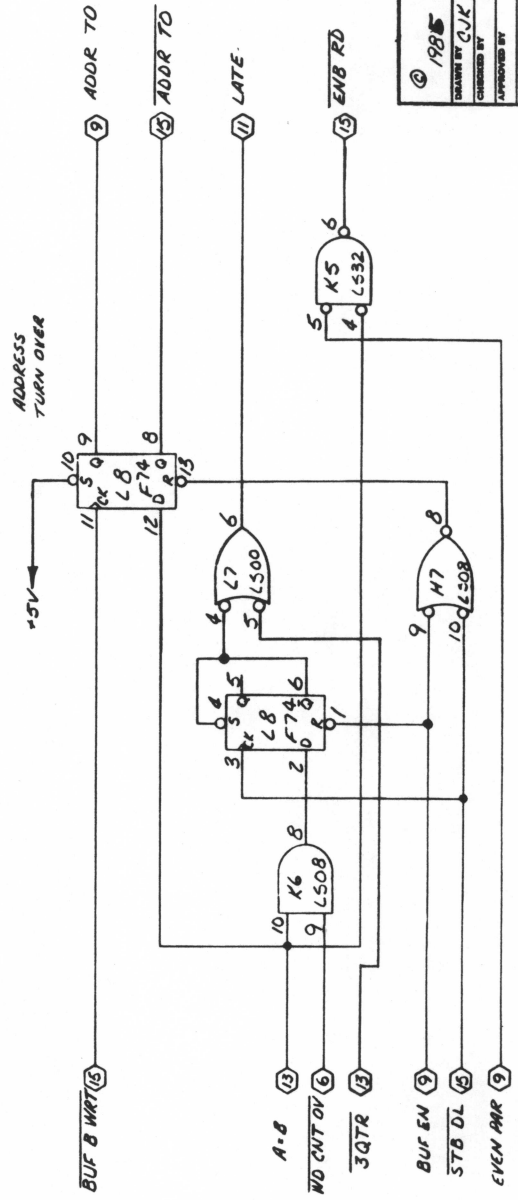
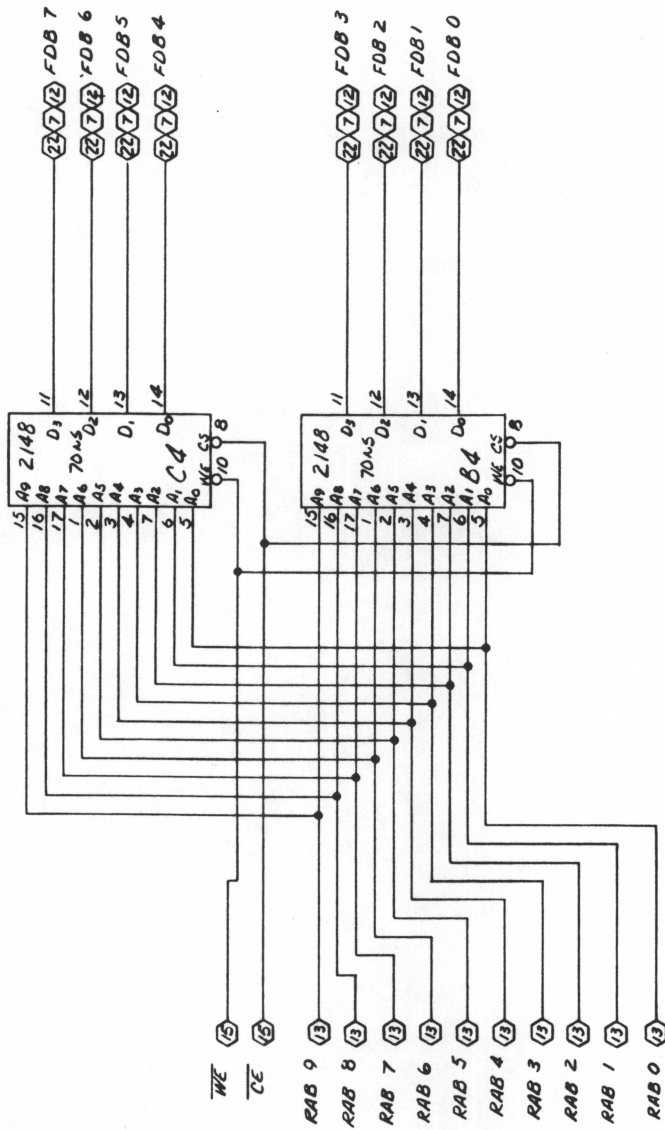


DATE	
REVISIONS	
DESIGNED BY	CJK 5-2-84
APPROVED BY	
SCALE	
TITLE	FFC
DRAWING NUMBER	700-387-00
MAG TAPE STATUS	

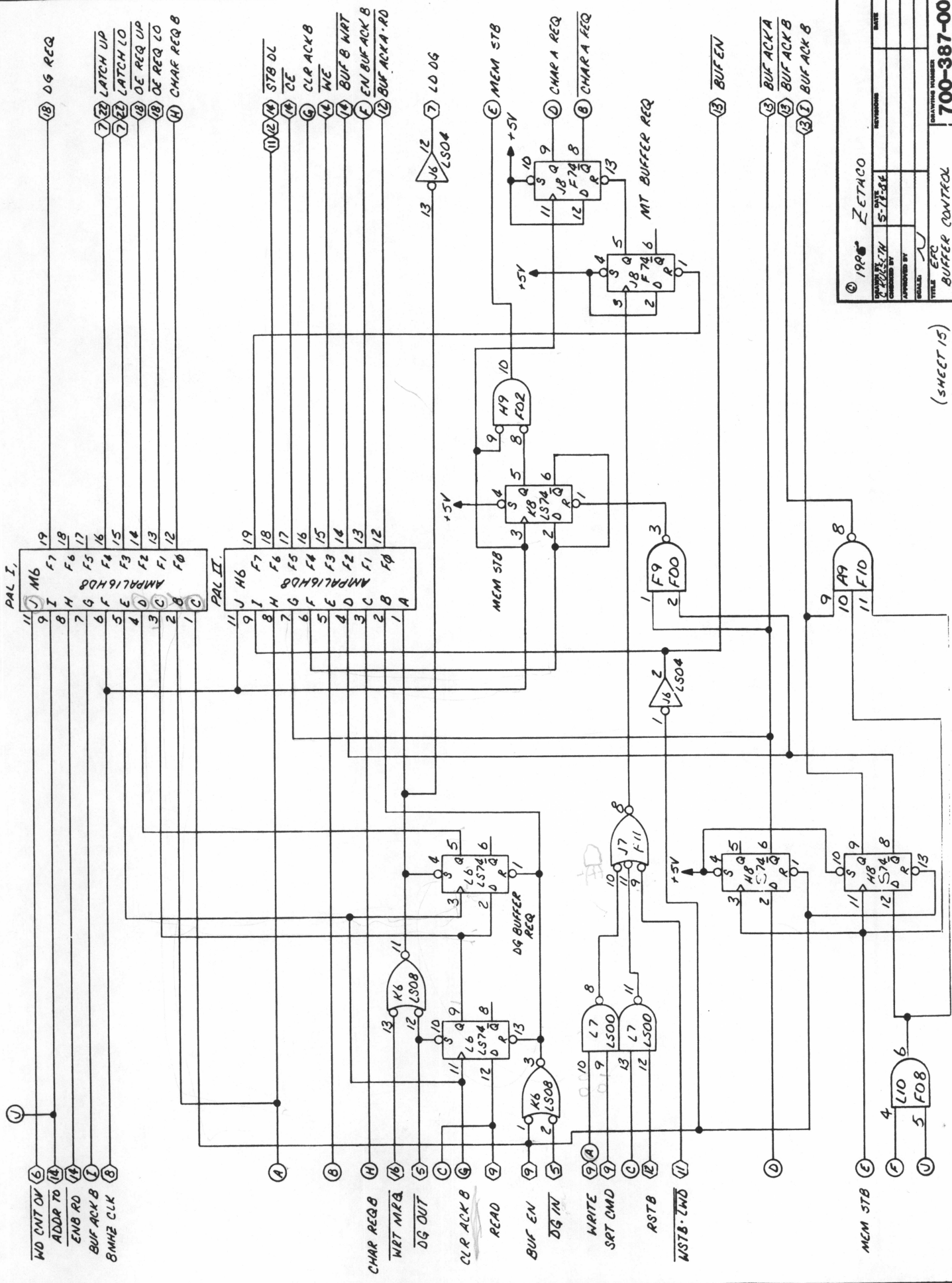




© 1988 ZETACO		DATE
DESIGNED BY	5-2-88	
CHECKED BY		
APPROVED BY		
SCALE		
TITLE		DRAWING NUMBER
FIFO BUFFER (CONT.)		700-387-00



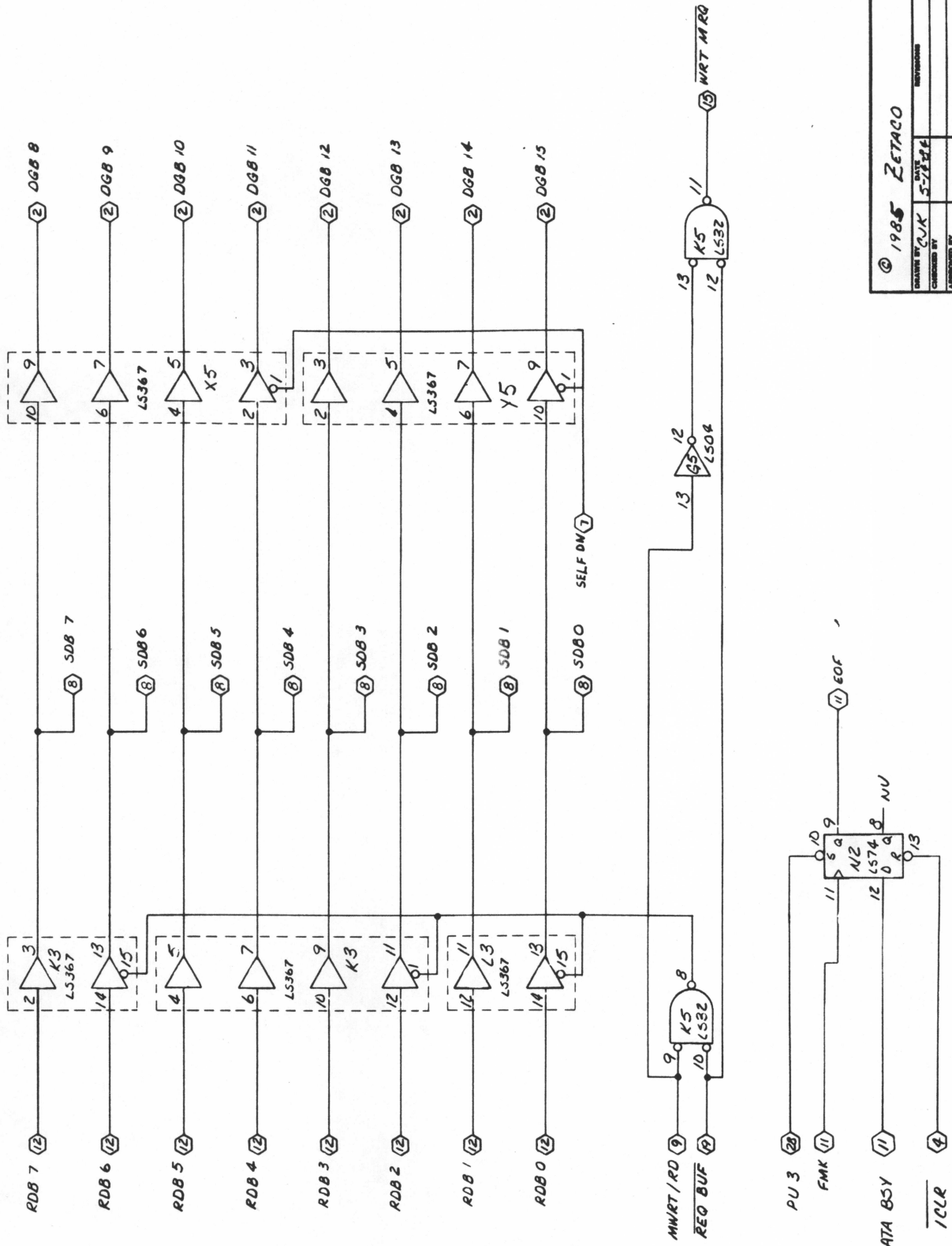
1985 ZETACO  
 DRAWN BY CLK 5-9-84  
 CHECKED BY  
 APPROVED BY  
 SCALE  
 TITLE EFC  
 DRAWING NUMBER 700-387-00  
 DATE



© 1986 ZETACO  
 DRAWING NUMBER: 700-387-00  
 TITLE: BUFFER CONTROL  
 DATE: 5-7-86  
 APPROVED BY: [Signature]  
 CHECKED BY: [Signature]  
 DESIGNED BY: [Signature]

(SHEET 15)





© 1985 ZETACO

DRAWN BY: JUK DATE: 5-23-85

CHECKED BY: APPROVED BY:

SCALE:

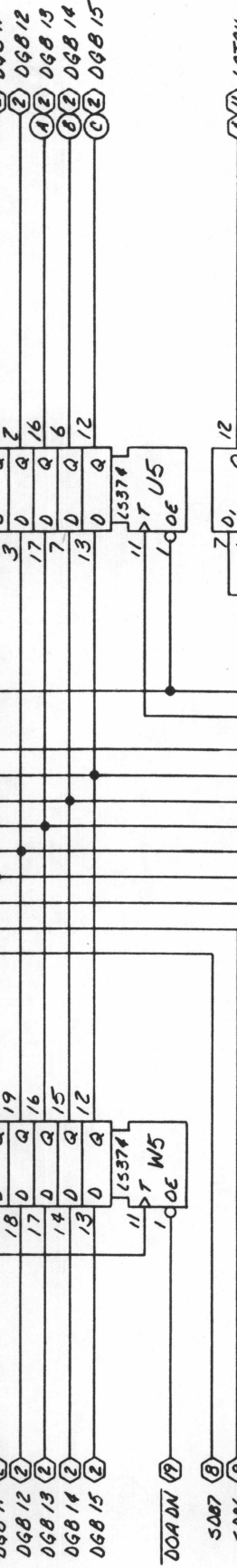
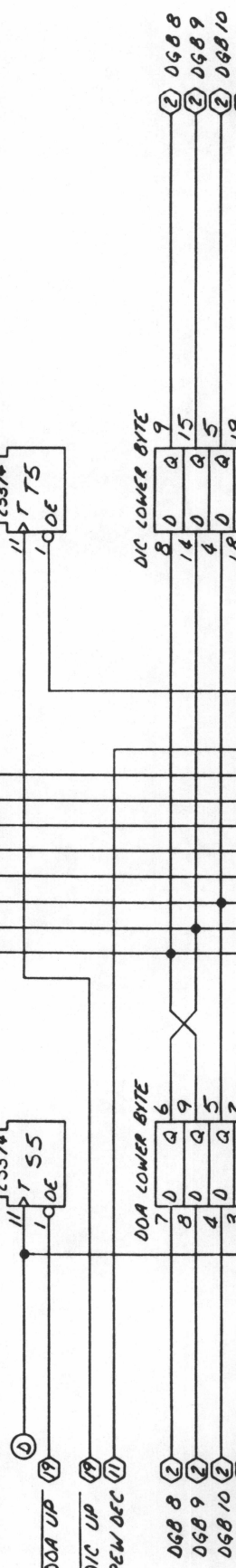
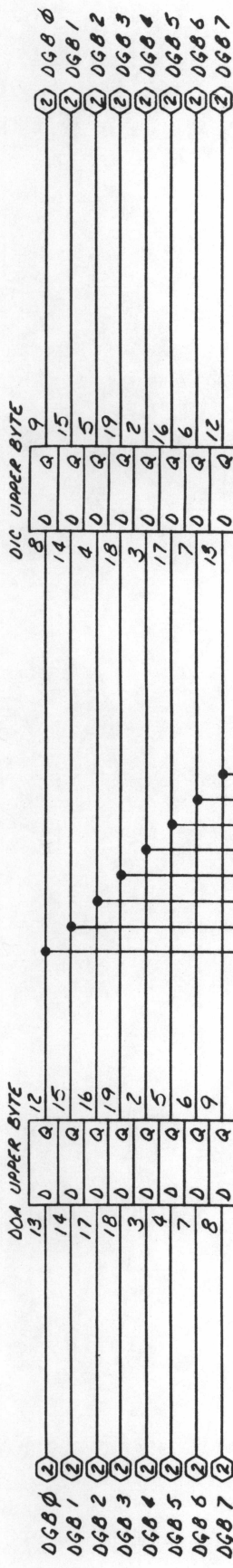
TITLE: EFC BUFFER MAINT

DESIGN NUMBER: 700-387-00

DATE: \_\_\_\_\_

REVISION: \_\_\_\_\_

(SHEET 15)



© 1985 ZETACO

DRAWN BY CJK 5-78-854

CHECKED BY

APPROVED BY

SCALE

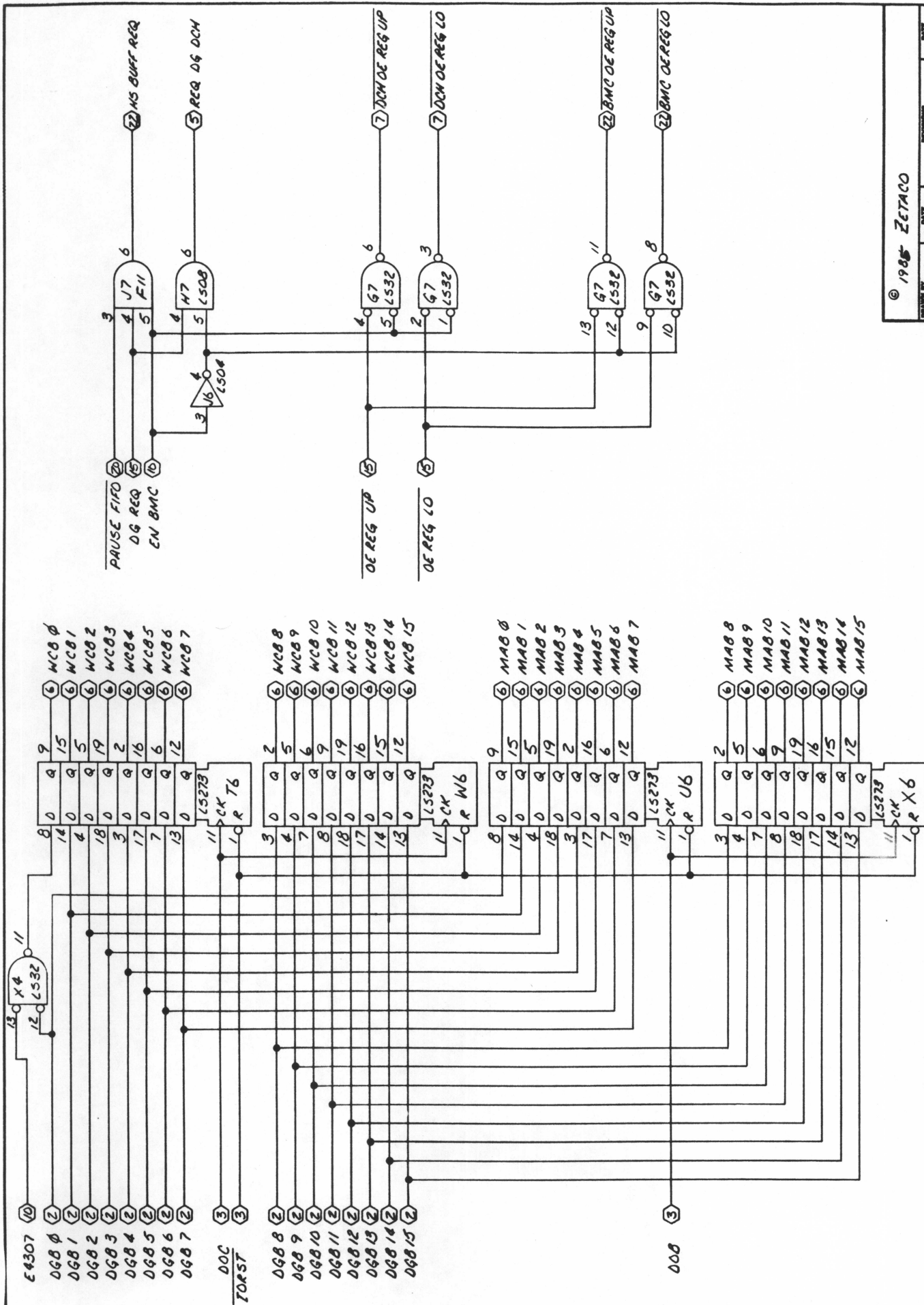
REVISIONS

DATE

TITLE Z80 REG SELECT

DRAWING NUMBER 700-387-00

(SHEET 17)



© 1985 ZETACO

DESIGNED BY: [Signature]

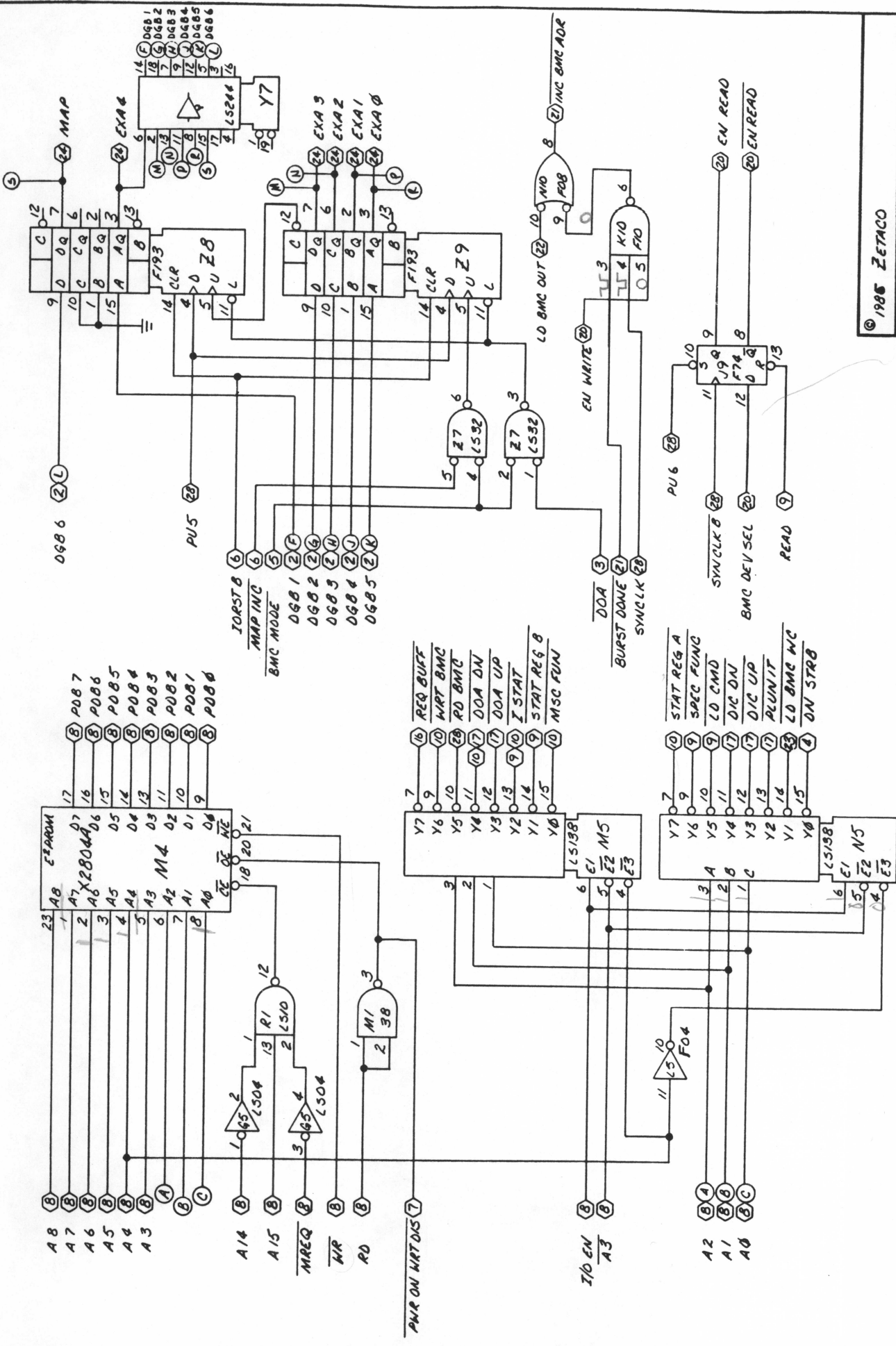
DATE: [Blank]

APPROVED BY: [Signature]

TITLE: DATA CONTROL - REV. 17

DRAWING NUMBER: 700-387-00

(SHEET 18)



- A8 (8)
- A7 (8)
- A6 (8)
- A5 (8)
- A4 (8)
- A3 (8)
- A14 (8)
- A15 (8)
- MREQ (8)
- WR (8)
- RD (8)
- A0 (8)
- A1 (8)
- A2 (8)
- A3 (8)
- A4 (8)
- A5 (8)
- A6 (8)
- A7 (8)
- A8 (8)
- A9 (8)
- A10 (8)
- A11 (8)
- A12 (8)
- A13 (8)
- A14 (8)
- A15 (8)
- A16 (8)
- A17 (8)
- A18 (8)
- P087 (8)
- P086 (8)
- P085 (8)
- P084 (8)
- P083 (8)
- P082 (8)
- P081 (8)
- P080 (8)

- REQ BUF (7)
- WRT BMC (9)
- RD BMC (10)
- DOA DN (11)
- DOA UP (12)
- I STAT (13)
- STAT REG B (14)
- MSC FUN (15)
- Y7 (16)
- Y6 (17)
- Y5 (18)
- Y4 (19)
- Y3 (20)
- Y2 (21)
- Y1 (22)
- Y0 (23)
- LS138 (24)
- E1 (25)
- E2 (26)
- M5 (27)
- E3 (28)
- STAT REG A (7)
- SPEC FUNC (9)
- LD CMD (10)
- DIC DN (11)
- DIC UP (12)
- PLUNIT (13)
- LD BMC MC (14)
- DN STRB (15)
- Y7 (16)
- Y6 (17)
- Y5 (18)
- Y4 (19)
- Y3 (20)
- Y2 (21)
- Y1 (22)
- Y0 (23)
- LS138 (24)
- E1 (25)
- N5 (26)
- E2 (27)
- E3 (28)

© 1986 ZETACO

DATE: 5-7-84

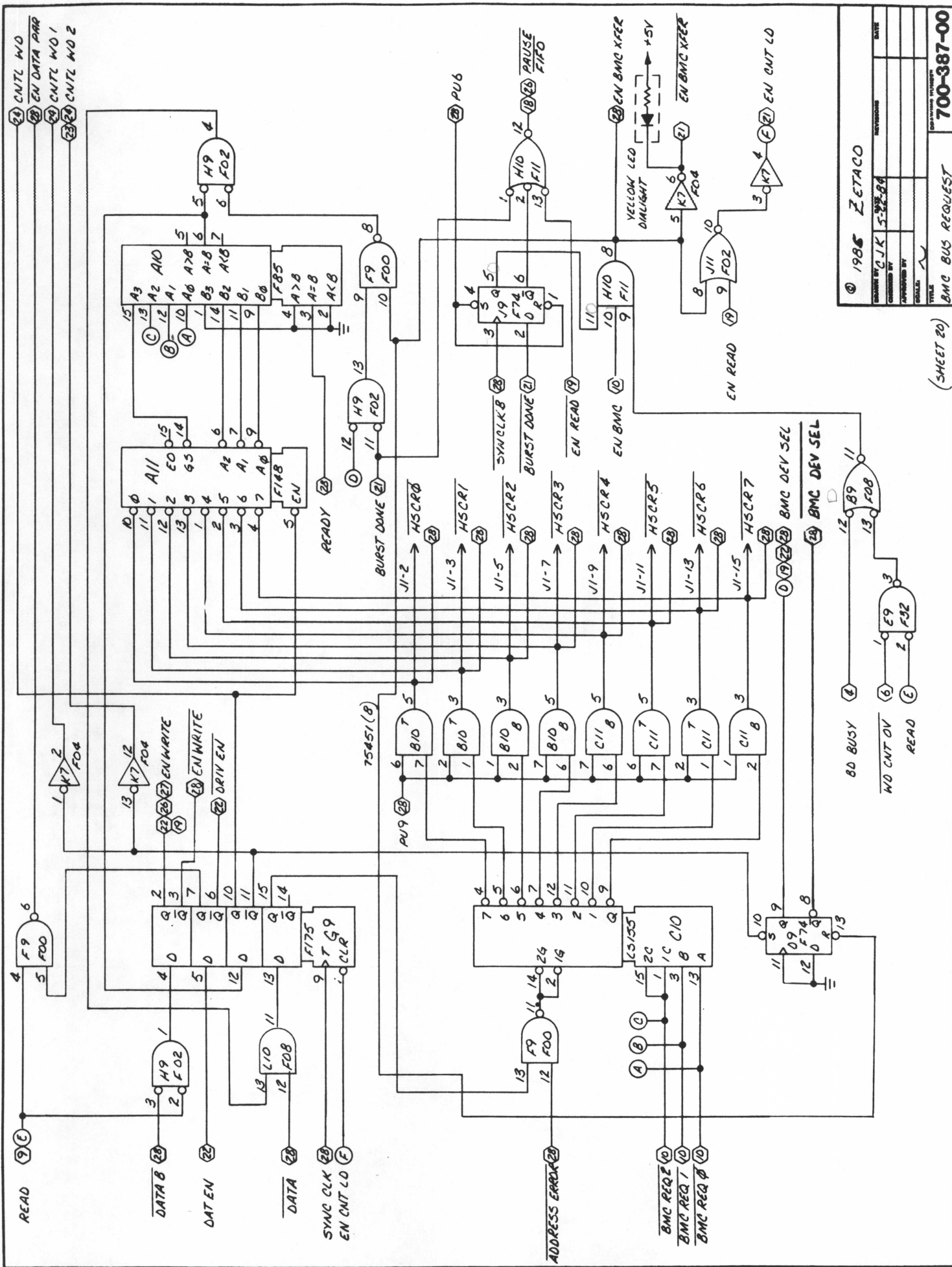
DESIGNED BY: [Signature]

APPROVED BY: [Signature]

DRAWING NUMBER: 700-387-00

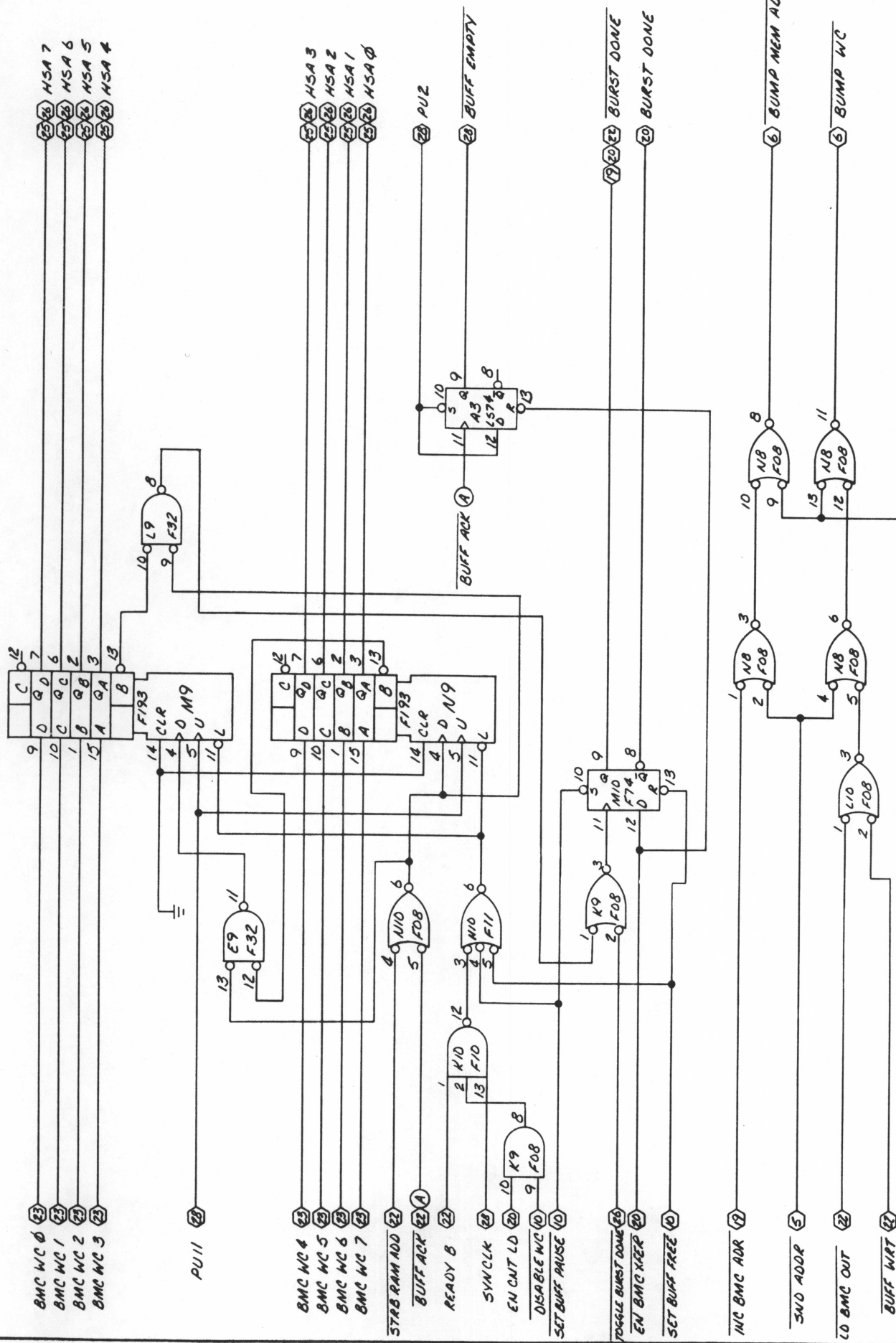
TITLE: L2 PROM I/O DECODE

(SHEET 19)



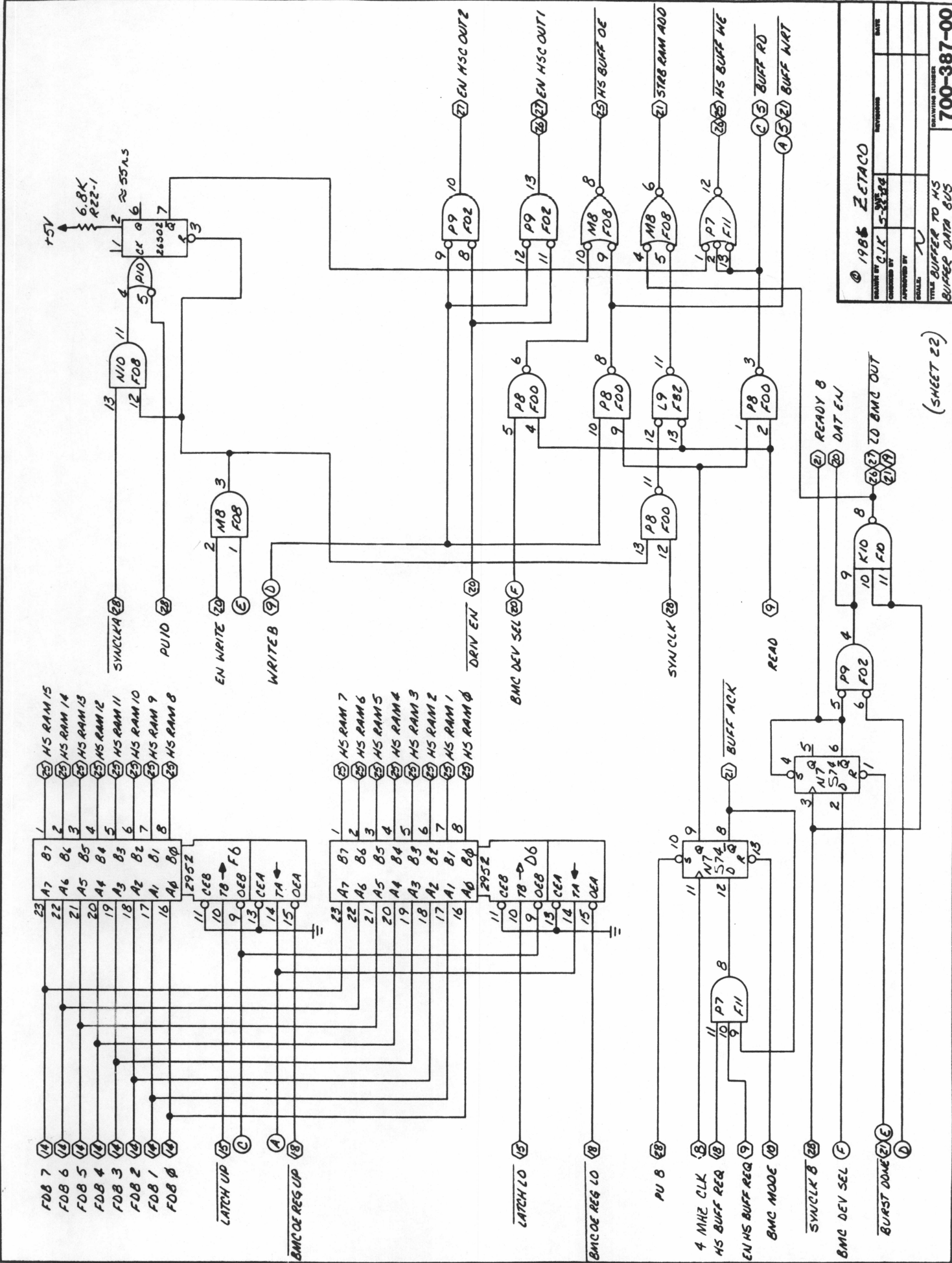
© 1985 ZETACO	
DESIGNED BY	CJK 5-22-84
CHECKED BY	
APPROVED BY	
DRAWN BY	
DATE	
TITLE	
BMC BUS REQUEST	
700-387-00	

(SHEET 20)



1985 ZETACO		DATE
DESIGNED BY CLK	5-22-84	REVISED
CHECKED BY		APPROVED BY
DRAWN BY		SCALE
TITLE AS BUFFER ADDRESS COUNTER		DRAWING NUMBER
		700-387-00

(SHEET 21)



© 1986 ZETACO

DESIGNED BY: CLK 5-28-86

CHECKED BY: [Signature]

APPROVED BY: [Signature]

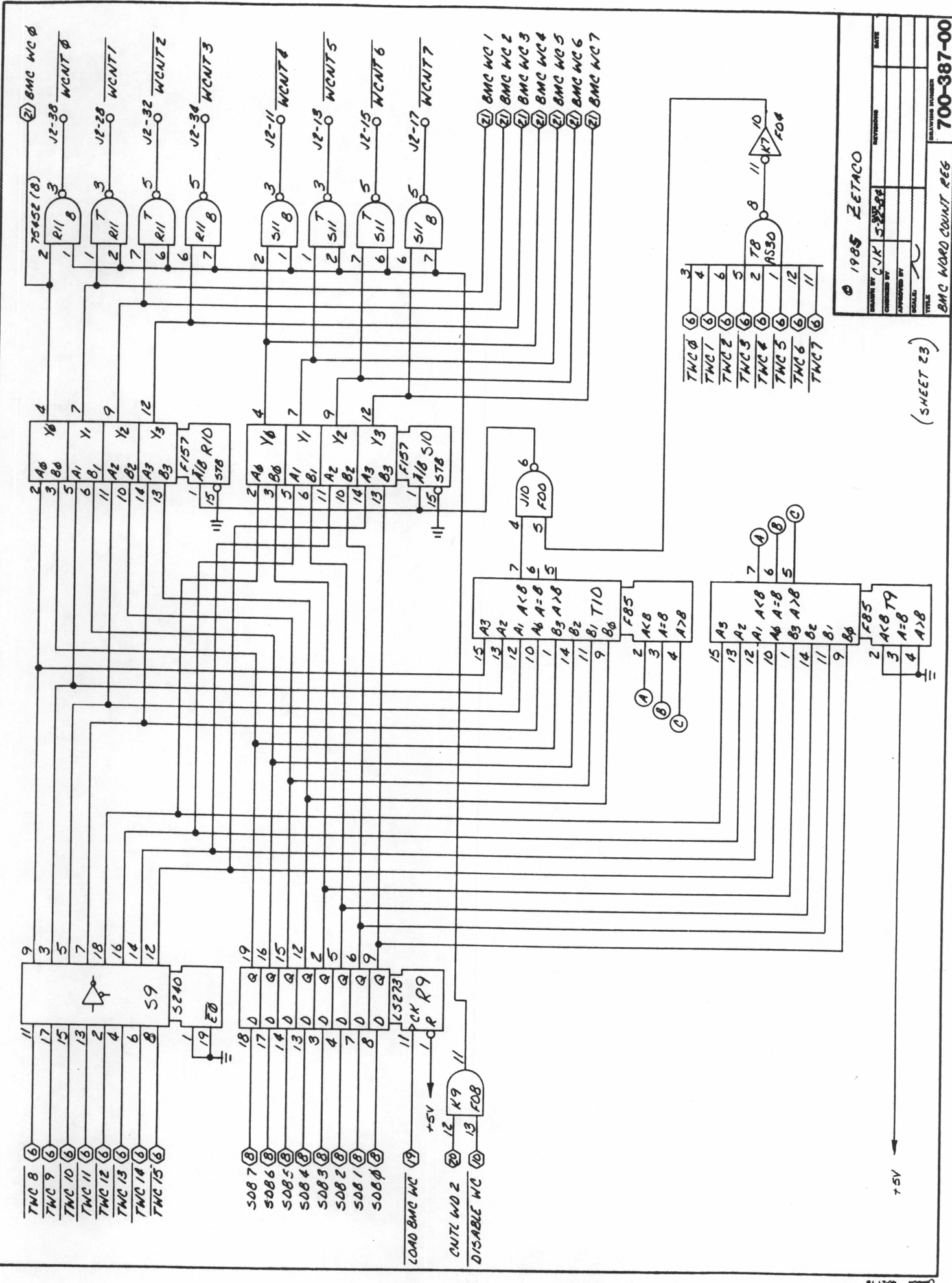
DATE: [Blank]

REVISION NUMBER: [Blank]

TITLE: BUFFER TO HS BUFFER DATA BUS

700-387-00

(SHEET 22)



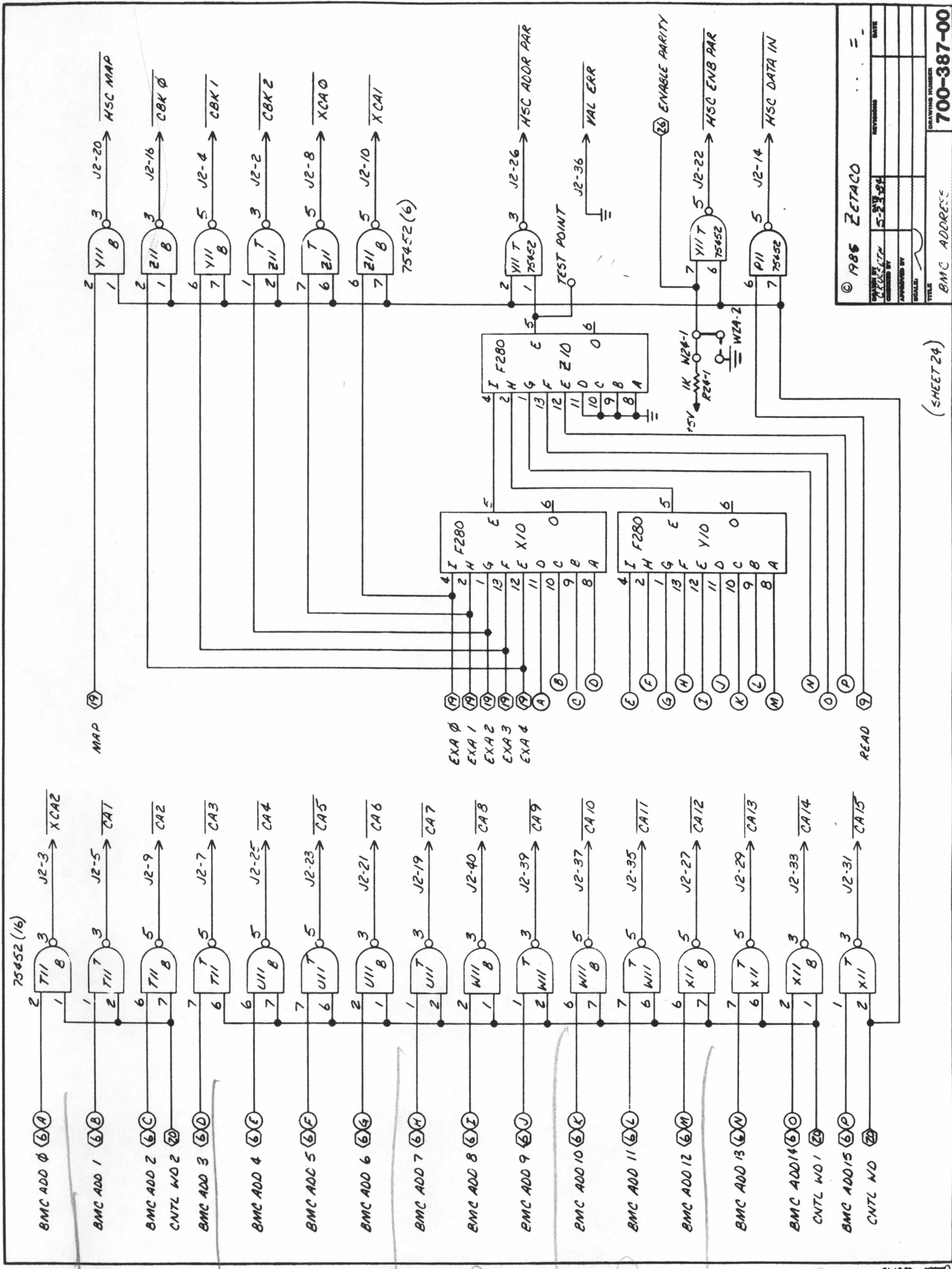
DRAWN BY: GJK S-22-54  
 CHECKED BY: [Signature]  
 APPROVED BY: [Signature]  
 SCALE: [Blank]  
 TITLE: BMC WORD COUNT REG  
 REFERENCE: [Blank]  
 DATE: [Blank]

1985 ZETACO  
 DELAY NUMBER: 700-387-00

(SHEET 23)

+5V





© 1986 ZETACO

DATE: 5-23-84

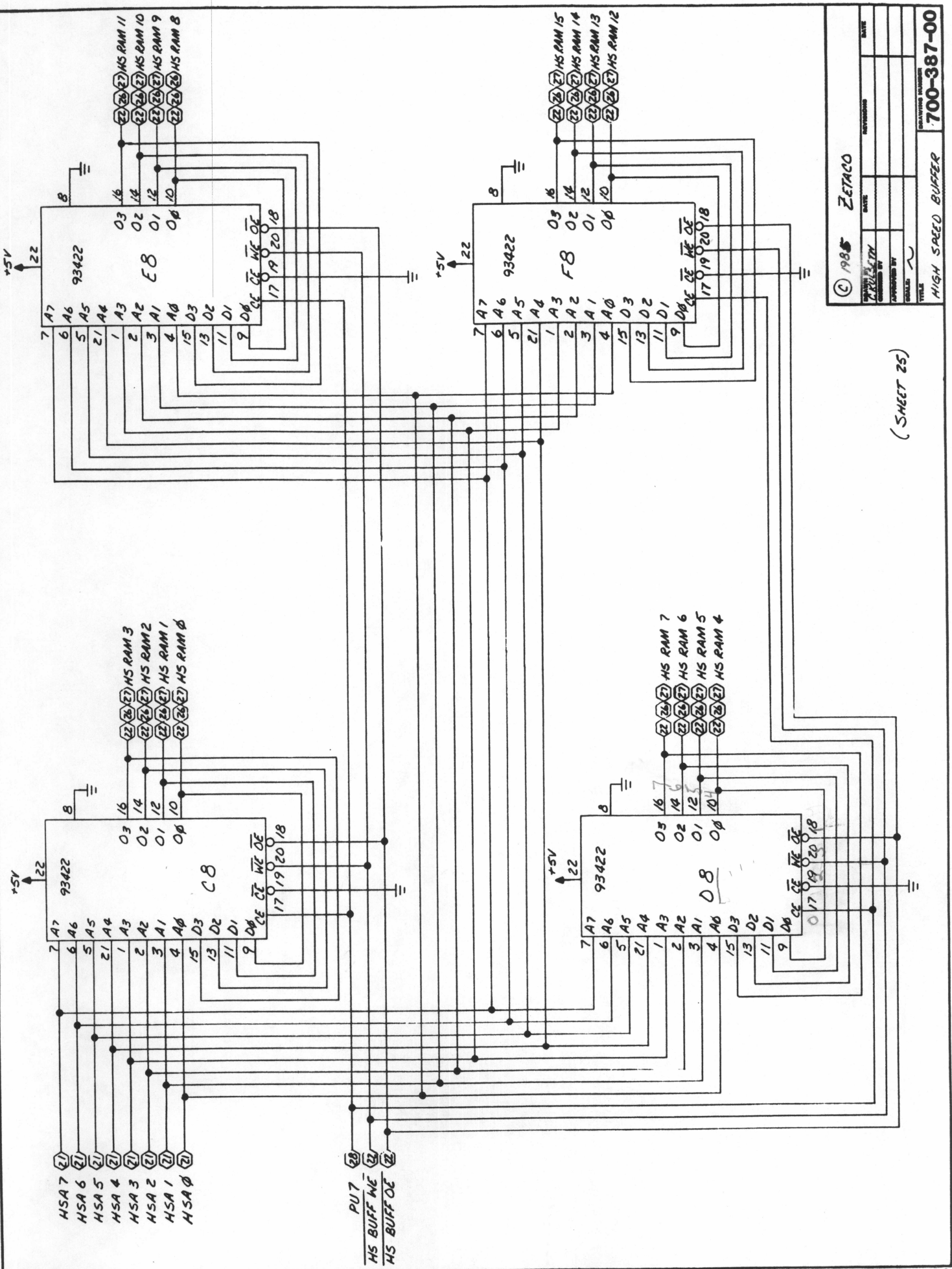
APPROVED BY: [Signature]

SCALE: [Blank]

DRAWING NUMBER: 700-387-00

TITLE: BMC ADDRESS

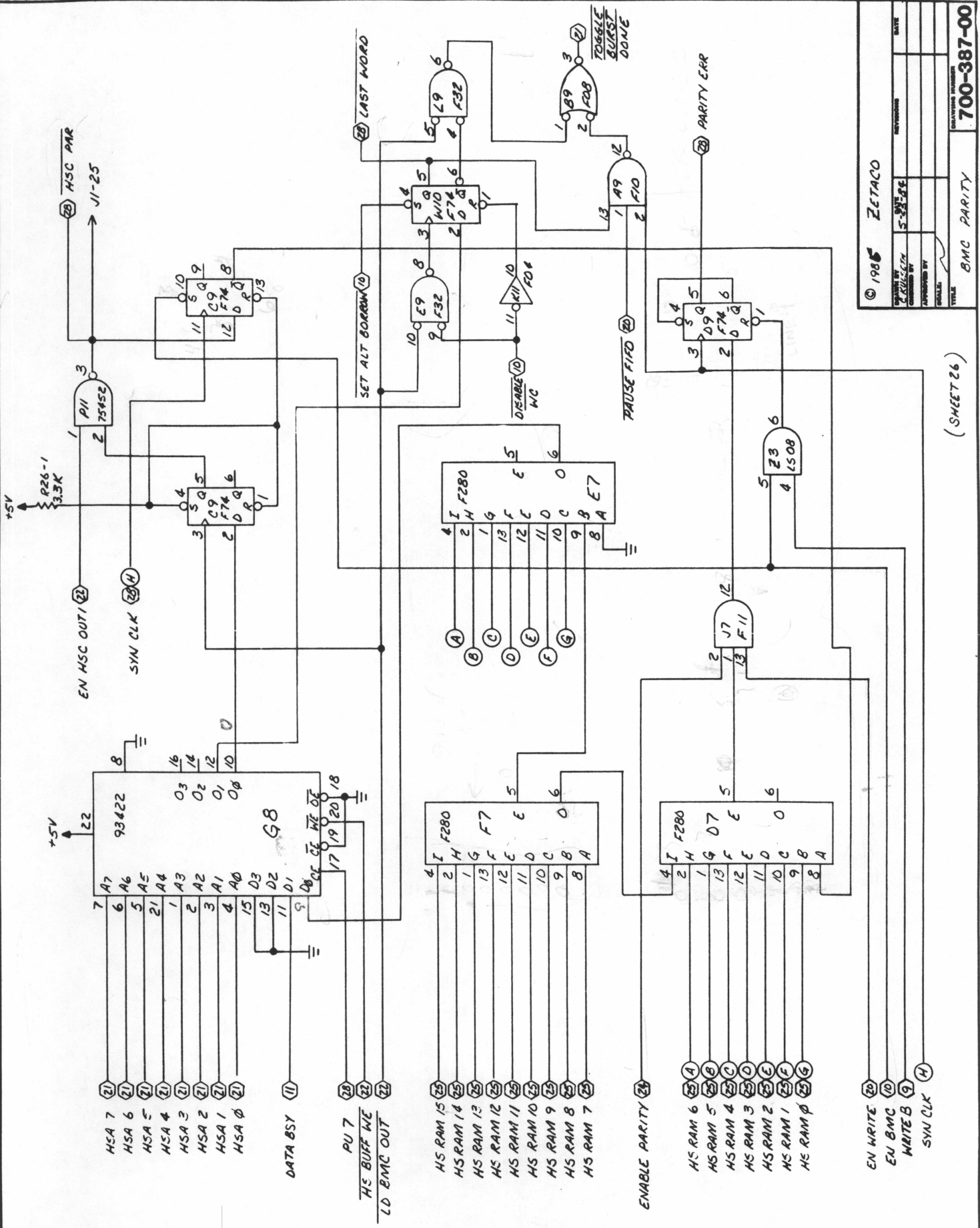
(SHEET 24)



( SHEET 25 )

© 1985 ZETACO

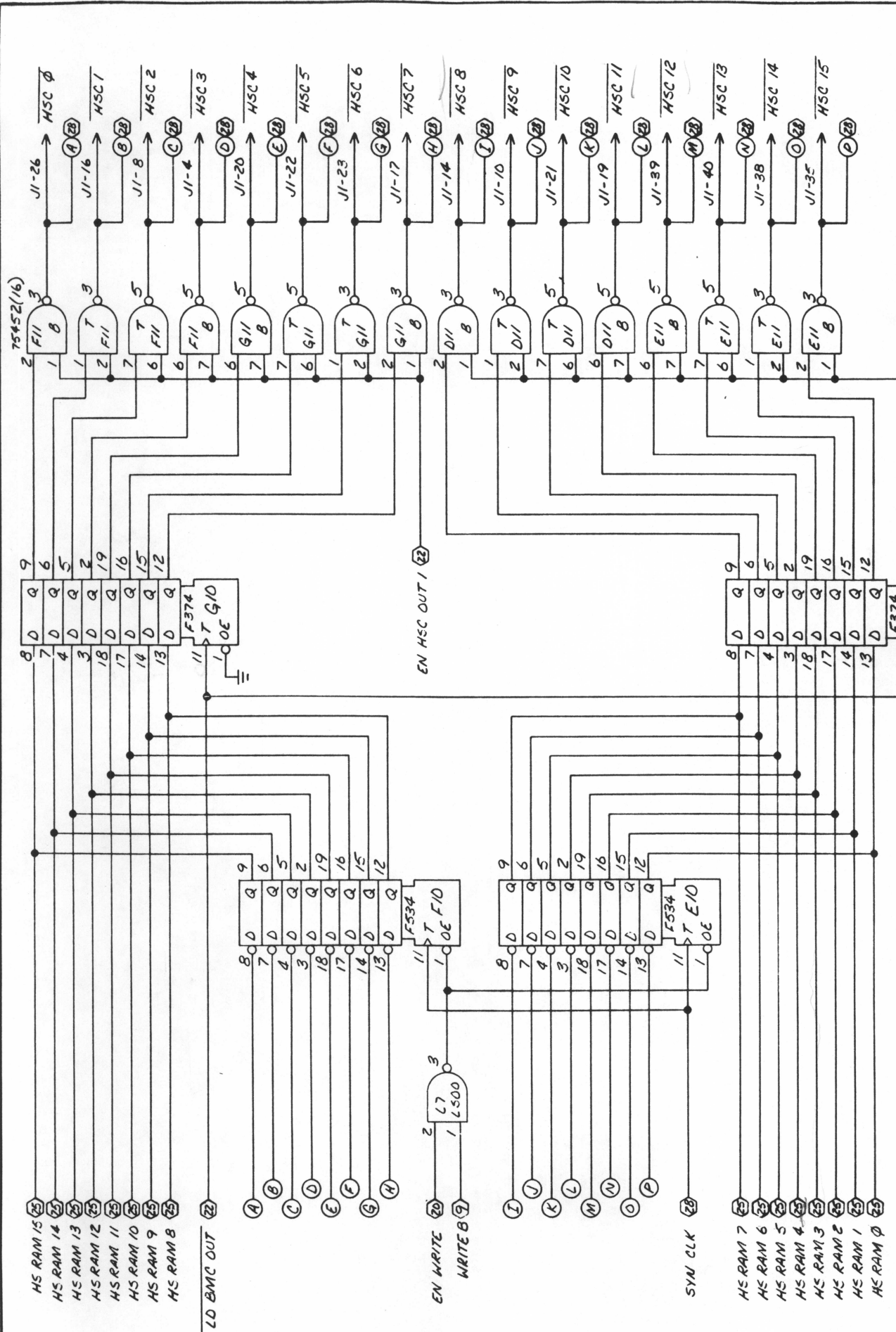
DESIGNED BY	DATE	REVISIONS	DATE
CHECKED BY			
APPROVED BY			
DRAWN BY			
TITLE	HIGH SPEED BUFFER		
	PART NUMBER 700-387-00		



© 1986 ZETACO	
DESIGNED BY	S. S. S. S.
APPROVED BY	
DRAWING NUMBER	700-387-00
TITLE	BMC PARITY

(SHEET 26)

M



© 1988 ZETACO

DESIGNED BY: [Signature]

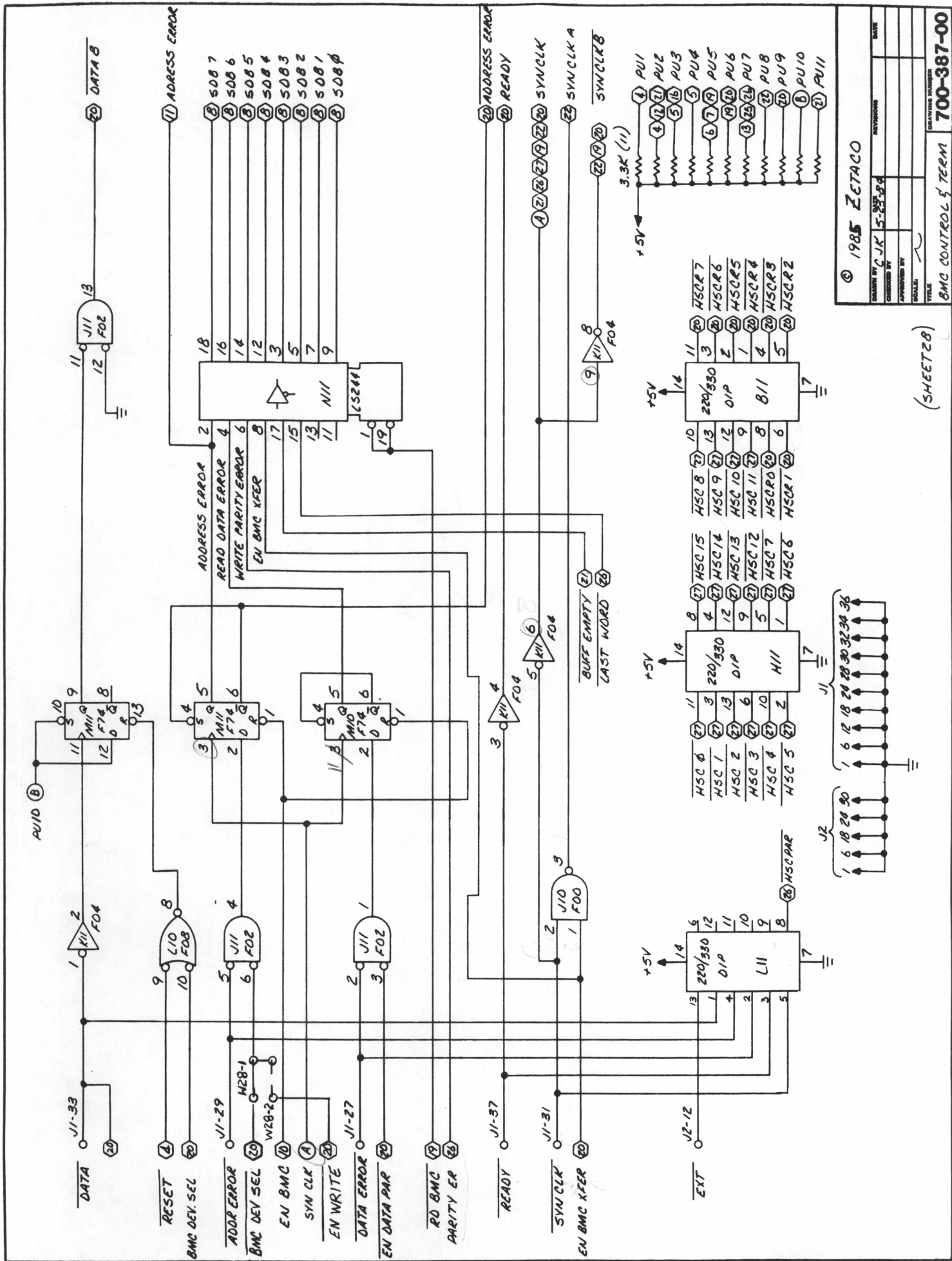
APPROVED BY: [Signature]

DATE: [Blank]

TITLE: BMC DATA BUS

DRAWING NUMBER: 700-387-00

(SHEET 27)



DATE	
DESIGNED BY CJK	REVISED BY 5-23-84
APPROVED BY	
DRAWN BY	
TITLE	
BMC CONTROL & TERM	
DRAWING NUMBER 700-387-00	

1985 ZETACO

(SHEET 28)